

WOOD STOVE

TALLY EVO
TALLY UP EVO
TALLY S EVO
TALLY UP S EVO



The undersigned EDILKAMIN S.p.a. with head office headquarters at Via Vincenzo Monti 47 - 20123 Milan - Italy - VAT IT00192220192

Declares under its own responsibility as follows:

The below listed wood burning stoves comply with EU Regulation 305/2011 and the harmonized European Standard EN 13240:2001 + A2:2004 + AC:2006 + AC:2007

WOOD STOVES, trademark EDILKAMIN,
called TALLY EVO / TALLY UP EVO / TALLY S EVO / TALLY UP S EVO

The liability of Edilkamin is limited to the product supply only.

Dear Sir/Madam

Congratulations and thank you for choosing our product. Please read this document carefully before you use this product in order to obtain the best performance in complete safety.

This manual is an integral part of the product, therefore we ask you to keep it for the entire duration of the life cycle of the product.

If lost, ask the retailer for a copy or download it from the download area on the website www.edilkamin.com.

- After having unpacked the stove, ensure that its contents are complete and intact.

In case of anomalies please contact the dealer where you purchased the product immediately.

You will need to present a copy of the warranty booklet and valid proof of purchase.

All local and national laws and European Standards must be met for installation and use of the appliance. For installation and any other further information not expressly outlined, refer to the local laws in place for each country.

The product is clearly identified by a seven-digit number, the "quality control label".

Keep:

- the guarantee certificate found with the product
- the fiscal receipt issued by the retailer
- the Declaration of Conformity issued by the installation technician.

All these documents will be requested by the retailer or the Support Centre in the event of requests for information, maintenance or otherwise.

The content of this manual is the property of Edilkamin. No part must be reproduced or changed without the authorisation of Edilkamin.

All images are for illustration purposes only; actual products may vary.

ONLY FOR U.K.

Under the Clean Air Act local authorities may declare the whole or part of the district of the authority to be a smoke control area. It is an offence to emit smoke from a chimney of a building, from a furnace or from any fixed boiler if located in a designated smoke control area. It is also an offence to acquire an "unauthorised fuel" for use within a smoke control area unless it is used in an "exempt" appliance ("exempted" from the controls which generally apply in the smoke control area).

In England appliances are exempted by publication on a list by the Secretary of State in accordance with changes made to sections 20 and 21 of the Clean Air Act 1993 by section 15 of the Deregulation Act 2015. Similarly in Scotland appliances are exempted by publication on a list by Scottish Ministers under section 50 of the Regulatory Reform (Scotland) Act 2014.

In Wales and Northern Ireland these are authorised by regulations made by Welsh Ministers and by the Department of the Environment respectively.

Further information on the requirements of the Clean Air Act can be found here: <https://www.gov.uk/smoke-control-area-rules>

Your local authority is responsible for implementing the Clean Air Act 1993 including designation and supervision of smoke control areas and you can contact them for details of Clean Air Act requirements"

The Tally, Tally S and Tally UP stoves in steel and soapstone have been recommended as suitable for use in smoke control areas when burning wood logs

TALLY UP is Tally with round glass.

For UK the product is supplied with a block for air combustion.

SYMBOLS

Some parts of the manual use the following symbols:



CAUTION:

Read carefully the message to which this refers, as failure to do so may result in serious damage to the product and may endanger the safety of people using it.



INFORMATION:

Failure to follow these instructions could compromise correct product use.

SAFETY INFORMATION

- Incorrect installations or improper maintenance causes safety risks, for which Edilkamin cannot be held liable.
- The stove was not designed for use by people, including children, whose physical, sensory or mental capacities are reduced.
- The stove was not designed for cooking.
- The stove was designed to burn dry wood in the quantities and methods described in this manual
- The stove was designed for internal use and in premises with normal humidity
- For the legal and standard guarantee, refer to the Certificate of Guarantee found with the stove
- The stove must be installed in premises where there is no danger of fire.
- In the event of fire, call the competent authorities
- Do not extinguish the fire with water jets
- The stove must be kept in dry places and not exposed to bad weather.

The safety risks can be caused, among other things, by:

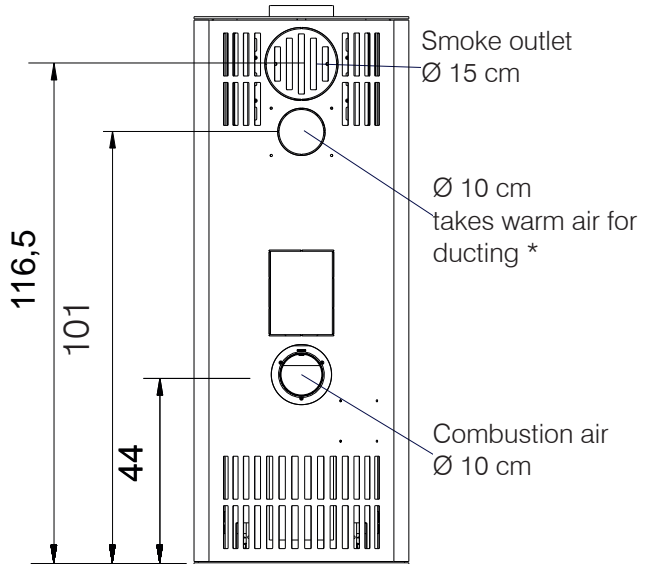
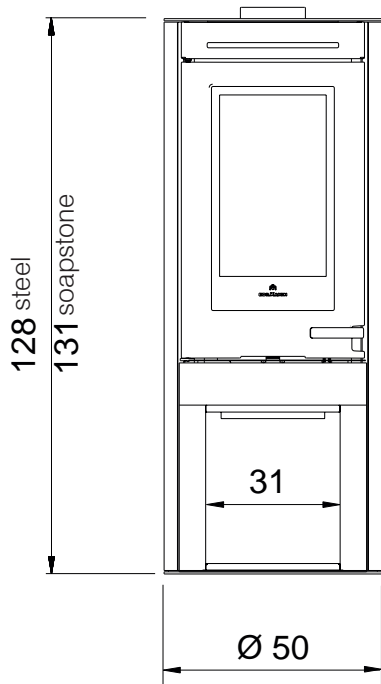
- contact with the fire and hot parts (e.g. glass and piping). **DO NOT TOUCH HOT PARTS** and, with the stove off but hot, always use the glove supplied. Otherwise you risk getting burnt
- use of unsuitable products for lighting (e.g. alcohol). **DO NOT LIGHT OR RE-LIGHT THE FLAME WITH LIQUID SPRAY PRODUCTS OR FLAMETHROWERS.** You risk getting seriously burned and causing damage to property and people.
- use of fuel other than dry wood. **DO NOT BURN RUBBISH, PLASTIC OR ANYTHING OTHER THAN DRY WOOD IN THE FIREPLACE.** You risk dirtying the product, fires in the chimney flue and causing damage to the environment.
- use of fuel different from the recommended fuel. **DO NOT OVERLOAD THE FIREPLACE.** There is a risk of deformation with risks for people in the event of attempted
- fixing up and irreversible changes to the colour of the paint on the metal parts. Edilkamin or the retailer cannot be held liable.
- cleaning the hot fireplace. **DO NOT EXTRACT HOT.** You risk compromising the extractor and, possibly, smoke in the environment
- cleaning of the smoke channel with various substances. **DO NOT CLEAN WITH FLAMMABLE PRODUCTS.** There is a risk of fires, back draft.
- cleaning of the hot glass with unsuitable products. **DO NOT CLEAN THE HOT GLASS WITH WATER OR SUBSTANCES OTHER THAN GLASS CLEANERS RECOMMENDED OR DRY CLOTHES.** There is a risk of cracks in the glass as well as permanent, irreversible damage to the glass
- deposit of inflammable materials under the safety distance indicated on this manual. **DO NOT REST LINEN ON THE STOVE DO NOT POSITION THE CLOTHES HORSE AT DISTANCES UNDER THOSE CONSIDERED SAFE.** Keep any form of inflammable liquid far from the appliance in use. There is a risk of fire.
- blocked opening of the air vents in the premises or air input. **DO NOT BLOCK THE AIR VENT OPENINGS OR BLOCK THE CHIMNEY FLUE.** There is a risk of a back draft in the room which could damage property and people.
- use of the stove as a support or ladder (**DO NOT CLIMB ON THE PRODUCT OR USE IT AS A SUPPORT**). You risk damaging property and people.
- use of the stove with the fireplace open. **DO NOT USE THE STOVE WITH THE DOOR OPEN.** For greater protection of the stove, there is a spring that allows the product to close automatically.
- addition of fuel and door opening approaching the fire with flammable and loose clothing. **Do NOT** open the door or approach the glass with flammable, wide clothing whose ends could catch fire
- open the door with incandescent material exiting. **Do NOT** throw incandescent material out of the stove. You risk a fire

Switch on the product only after complete installation including coverings

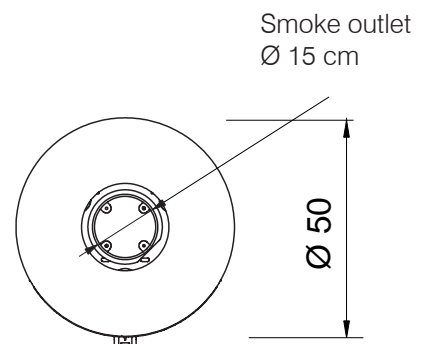
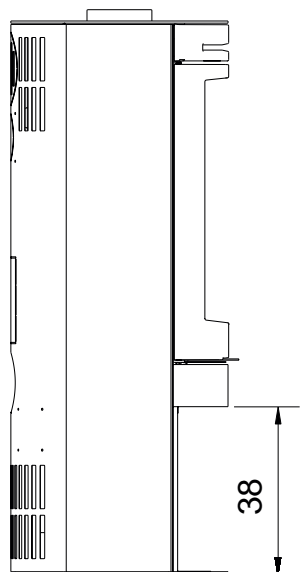
Lastly, you are advised to take all normal precautions in relation to home heating. If in doubt, do not act on your own initiative, but contact the retailer or installation technician.

TALLY EVO

- fireplace inner dimensions cm 29 (L) x 23 (P) x 38.5 (H)

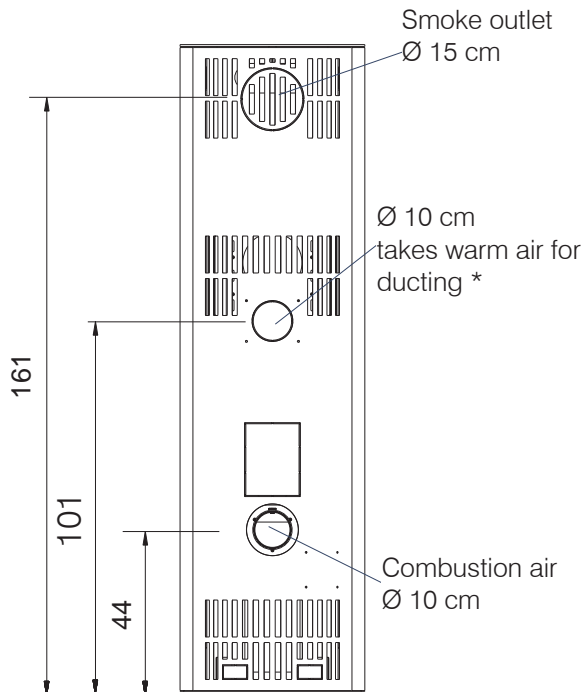
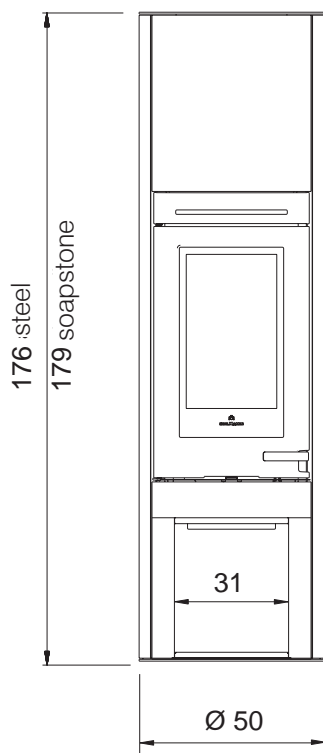


* use the specific kit (the assembly instructions are in the kit inside)

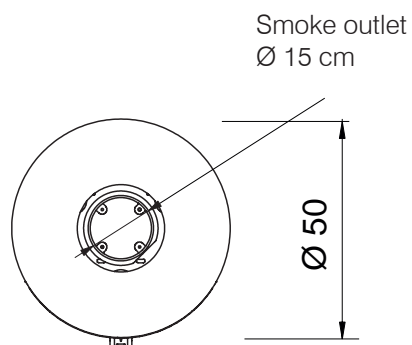
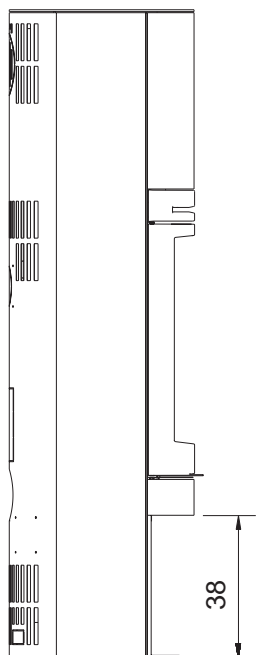


TALLY S EVO

- fireplace inner dimensions cm 29 (L) x 23 (P) x 38.5 (H)

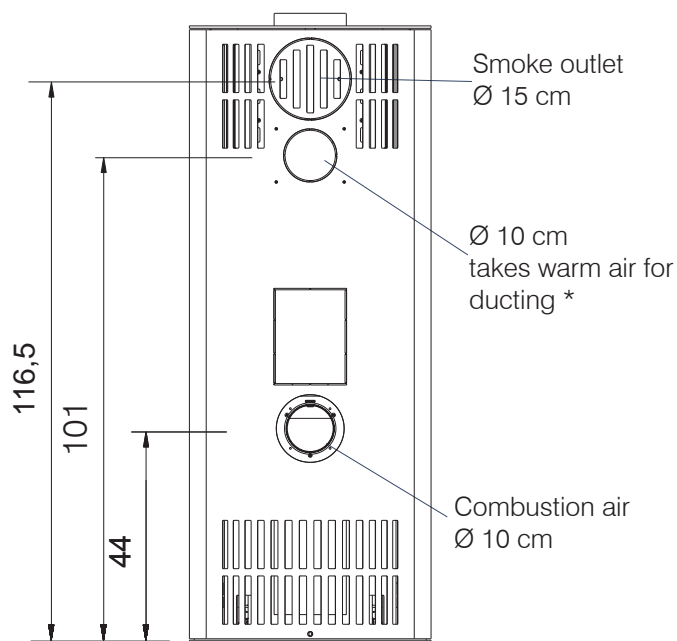
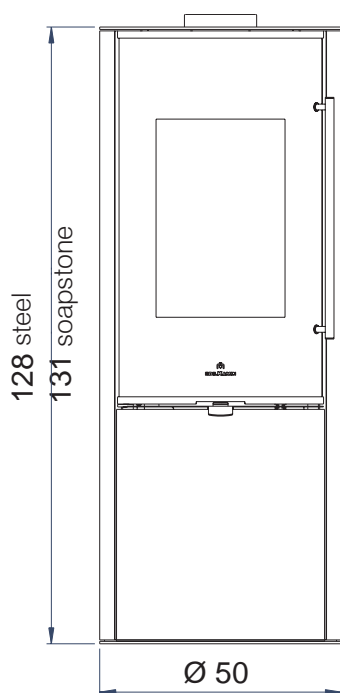


* use the specific kit (the assembly instructions are in the kit inside)

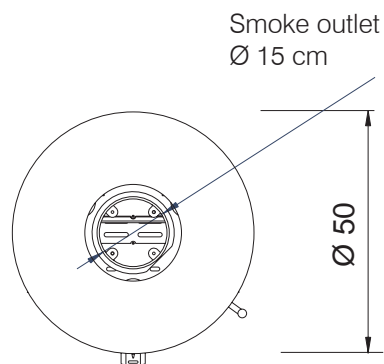
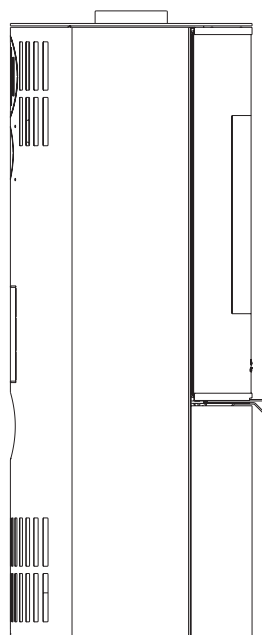


TALLY UP EVO

- fireplace inner dimensions cm 29 (L) x 23 (P) x 38.5 (H)

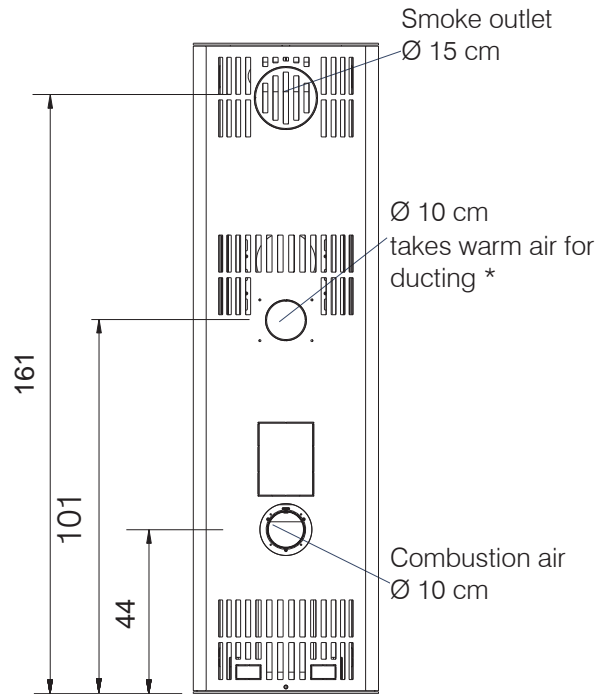
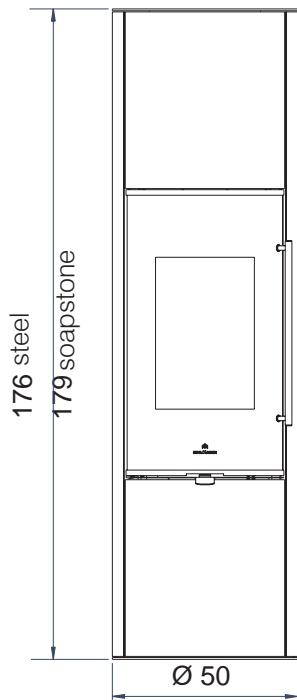


* use the specific kit (the assembly instructions are in the kit inside)

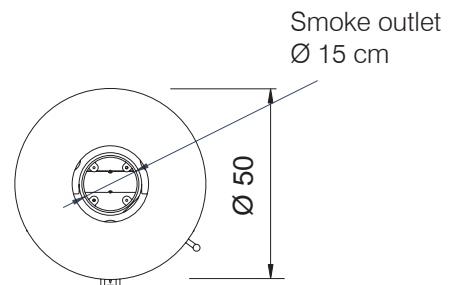
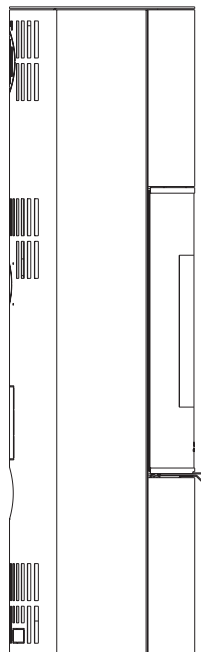


TALLY UP S EVO

- fireplace inner dimensions cm 29 (L) x 23 (P) x 38.5 (H)



* use the specific kit (the assembly instructions are in the kit inside)



TECHNICAL CHARACTERISTICS according to EN 13240 TALLY EVO-TALLY UP EVO		
The given data are indicative and taken during the certification stage at a notified Body under regulation conditions		
	Nominal power	
Power output	8,1	kW
Yield	87,1	%
Emissions CO 13% O ₂	0,047	%
Fume temperature	171	°C
Minimum draught	12	Pa
Fuel consumption *	2	kg/h
Heatable volume **	210	m ³
Smoke outlet pipe diameter (male)	150	mm
Air intake pipe diameter (male)	100	mm
Weight including packaging (TALLY EVO)	steel 171 soapstone 245	kg
Weight including packaging (TALLY UP EVO)	steel 171 soapstone 245	kg

* A calorific value of 4,6 kW/Kg has been used to calculate consumption.

** The heatable volume is calculated based on the assumption of a heating demand of 33 Kcal/m³ hour.

TECHNICAL DATA FOR THE DIMENSIONING OF THE FLUE		
	Nominal power	
Temperature of fumes on exit from the discharge pipe	205	°C
Minimum draught	0,01	Pa
Fume flow capacity	6,7	g/s

EDILKAMIN s.p.a. reserves the right to change the products at its discretion without notice.

TECHNICAL CHARACTERISTICS according to EN 13240 TALLY S EVO-TALLY UP S EVO

The given data are indicative and taken during the certification stage at a notified Body under regulation conditions

	Nominal power	
Power output	9,1	kW
Yield	90,3	%
Emissions CO 13% O ₂	0,044	%
Fume temperature	130	°C
Minimum draught	12	Pa
Fuel consumption *	2,2	kg/h
Heatable volume **	235	m ³
Smoke outlet pipe diameter (male)	150	mm
Air intake pipe diameter (male)	100	mm
Weight including packaging (TALLY S EVO)	steel 238 soapstone 330	kg
Weight including packaging (TALLY UP S EVO)	steel 178 soapstone 274	kg
Refractory care kit (OPTIONAL)	40	kg

* A calorific value of 4,6 kW/Kg has been used to calculate consumption

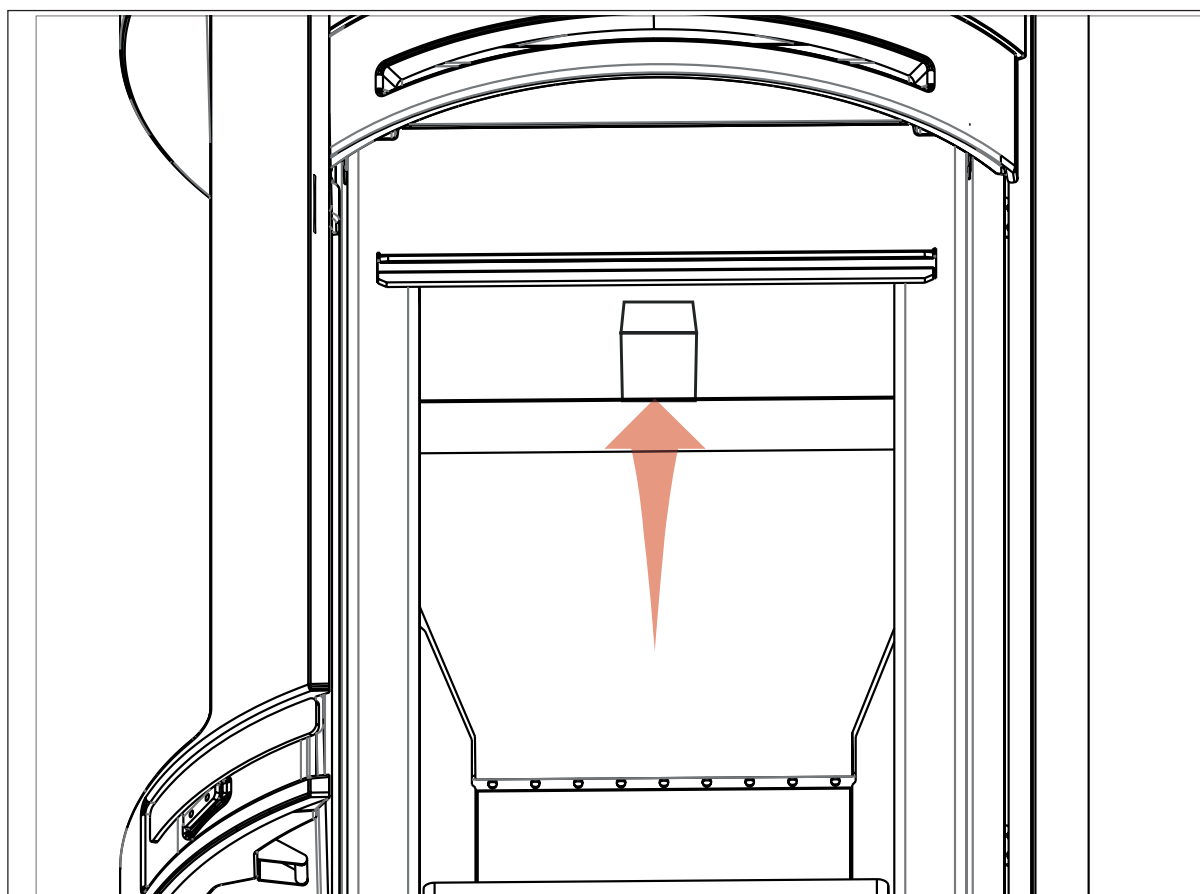
** The heatable volume is calculated based on the assumption of a heating demand of 33 Kcal/m³ hour.

TECHNICAL DATA FOR THE DIMENSIONING OF THE FLUE

	Nominal power	
Temperature of fumes on exit from the discharge pipe	156	°C
Minimum draught	0,01	Pa
Fume flow capacity	7,3	g/s

EDILKAMIN s.p.a. reserves the right to change the products at its discretion without notice.

PLEASE REMOVE THE FIXING MATERIAL BEFORE THE USE



PREPARATION AND UNPACKING

The materials composing the packaging are not toxic or harmful, therefore no particular disposal processes are required.

Storage, disposal and any recycling is the responsibility of the end user in compliance with the laws in force on the matter.



You are recommended to make each movement in a vertical position with suitable devices, paying attention to the safety standards in force.

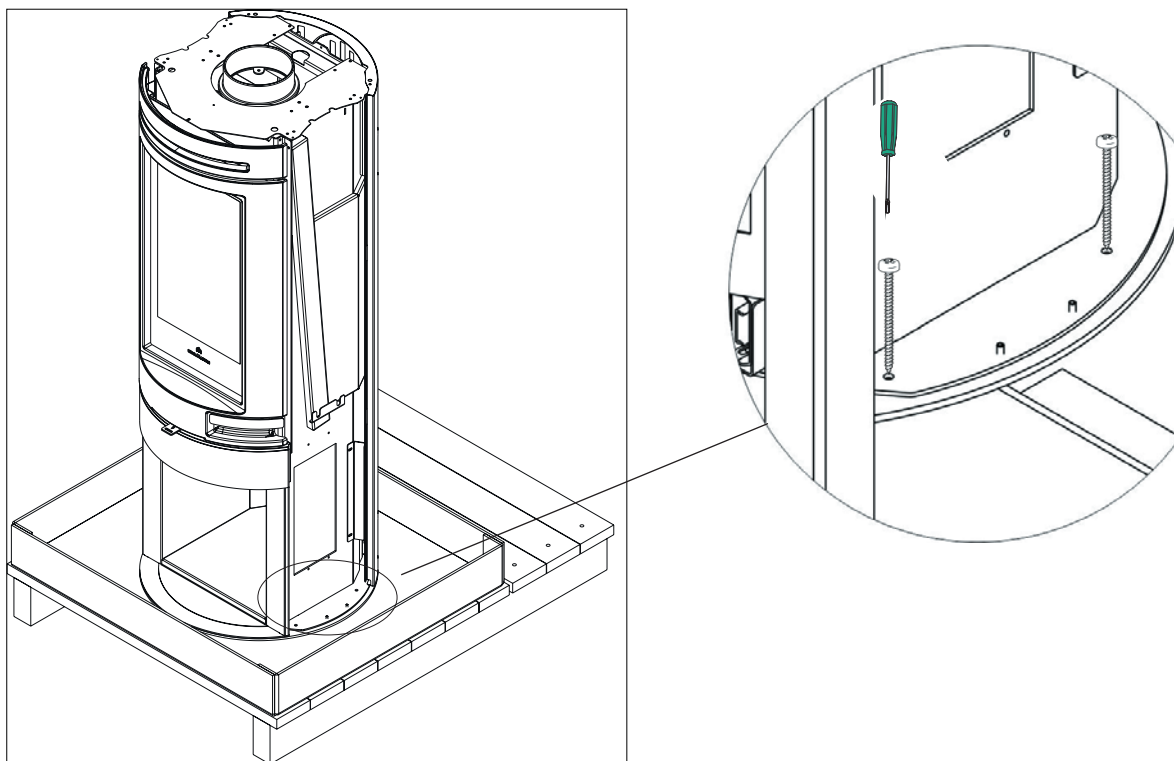
Do not overturn the packaging and be cautious when assembling parts.

The packaging includes a useful inspection hatch to check the status of the product.

On receipt, check and immediately notify the retailer of any anomalies.

TO REMOVE THE PRODUCT FROM THE PALLET:

- remove the fastening screws on the pallet on both sides of the stove
- remove the stove from the pallet and pay particular attention so the door and the glass are protected from mechanical knocks that could damage them.

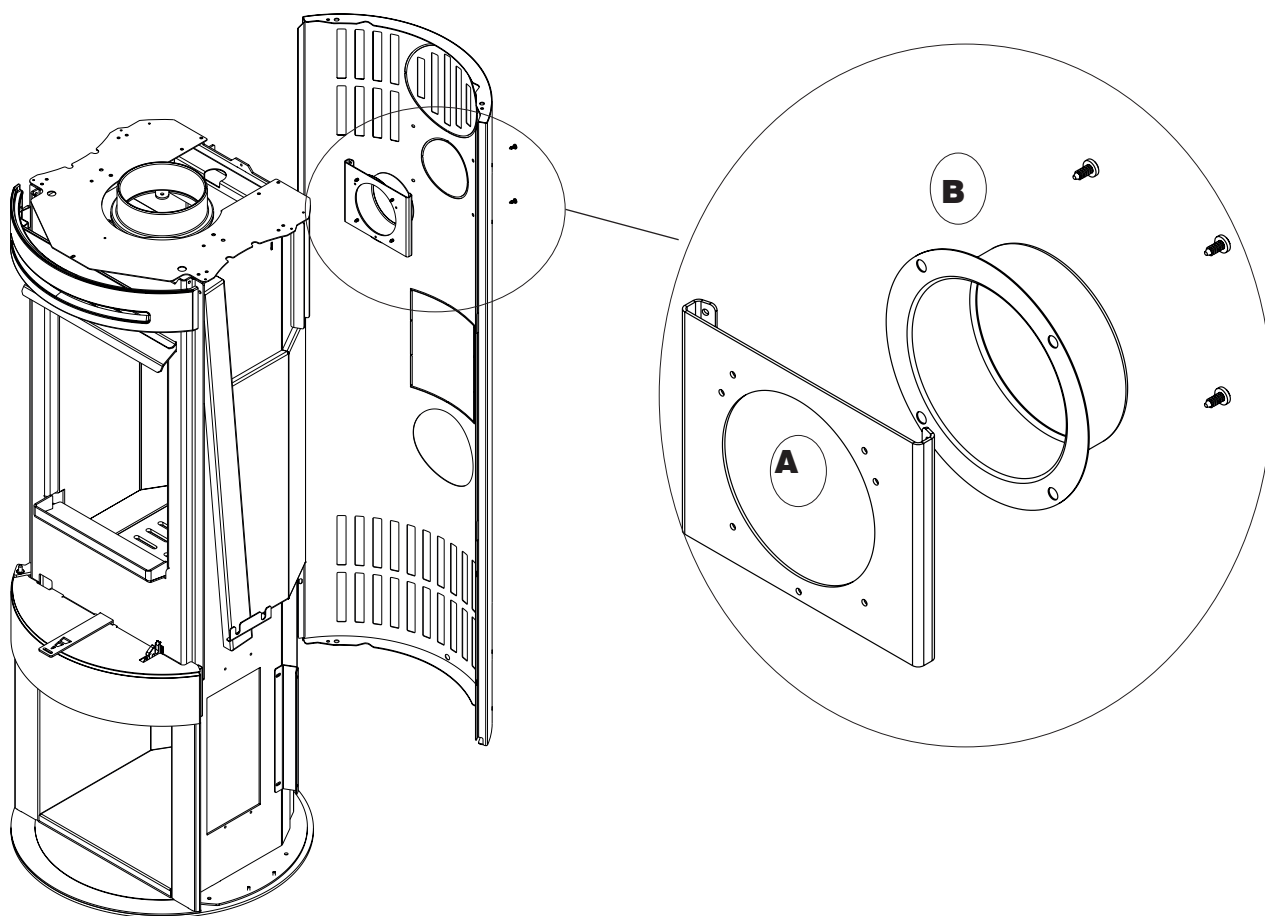


AIR DUCTING KIT (optional)

The stove is equipped for connecting the Air Diffuser Kit, which allows warm air to be ducted to another room using a fan.

To connect the Air Diffuser Kit (instructions with the kit), you first need to mount the kit with the bracket (A) and the flange (B) in order to fit the ducting pipe.

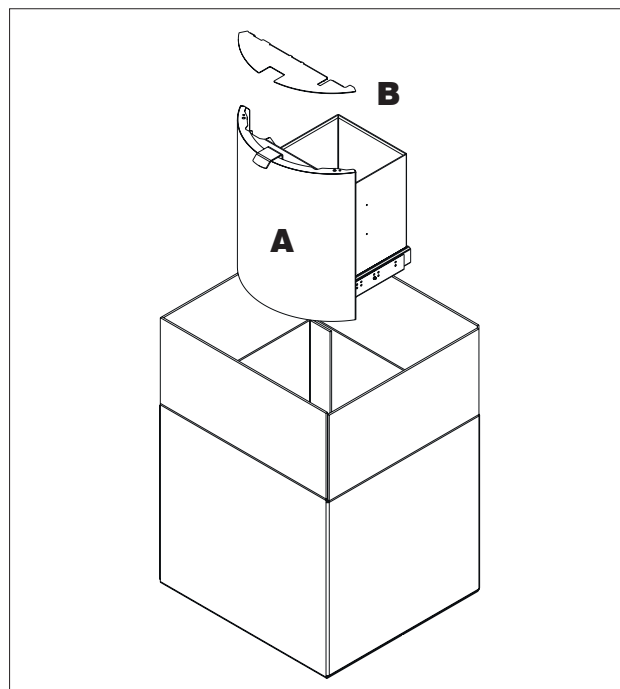
Fasten the bracket and the flange of the kit to the back of the rear protective casing.



OPTIONAL WOOD DRAWER

The pack for the optional drawer contains:

- 1 fitted drawer (A)
- 1 top cover (B);
- 4 self-tapping screws

**FITTING THE OPTIONAL DRAWER**

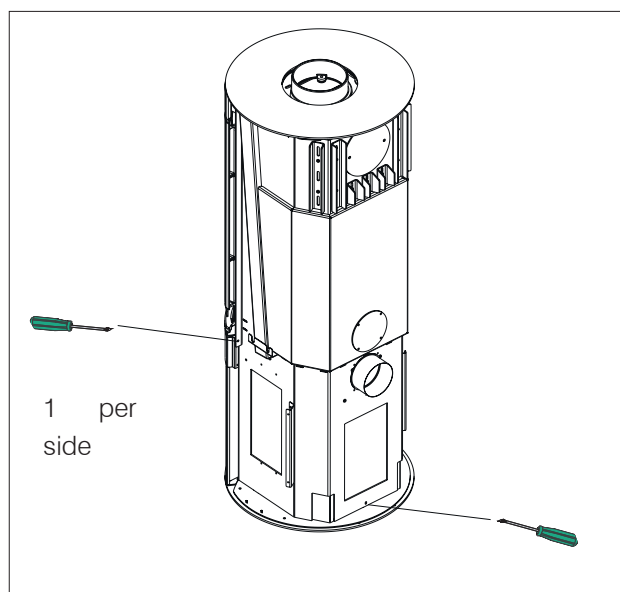
In order to fit the drawer, you need to prepare the structure and then install the optional accessory

Preparing the structure:

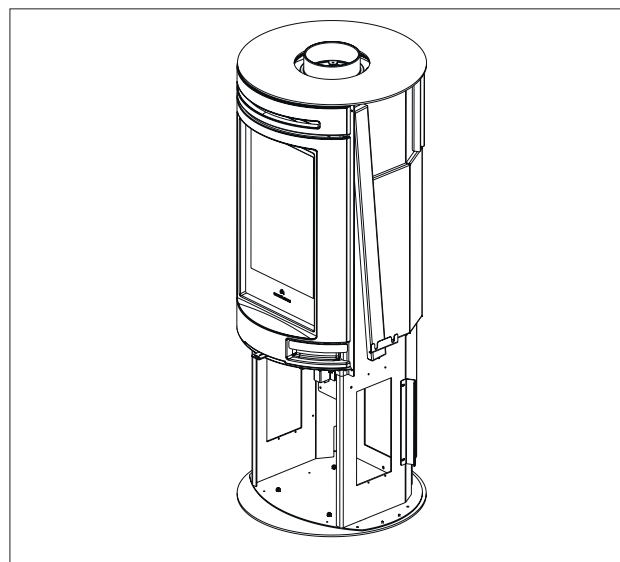
remove the wood box by unscrewing the three screws (one per side and one at the back). The wood box is replaced by the drawer.



Unscrew the CE marking plate from the wood box and then fit it onto the drawer so that the sign remains with the product

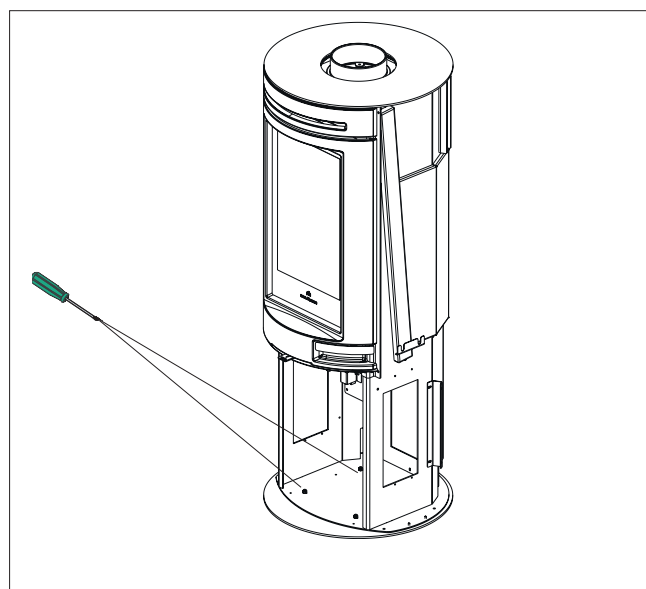
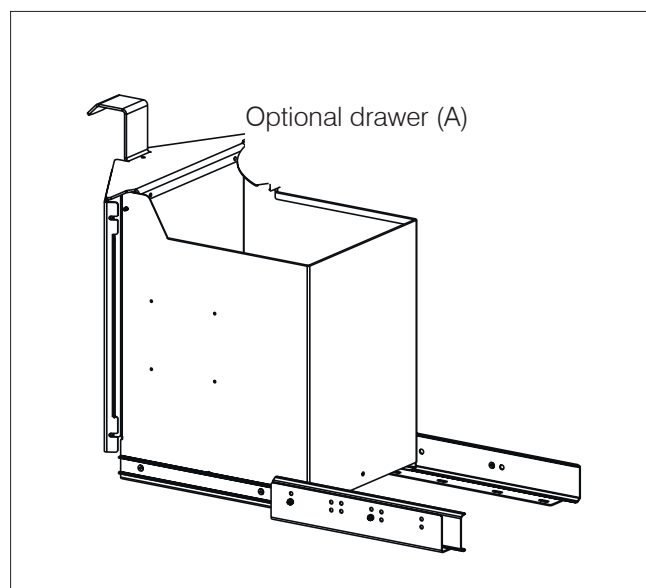


Once the wood box has been removed, the stove appears as in the adjacent picture



FITTING THE OPTIONAL DRAWER**Preparing the optional drawer:**

- slide the rails off
- insert the drawer into the prepared structure and screw the rails onto the structure (2 screws per side)



FITTING THE TALLY AND TALLY UP STEEL CLADDING

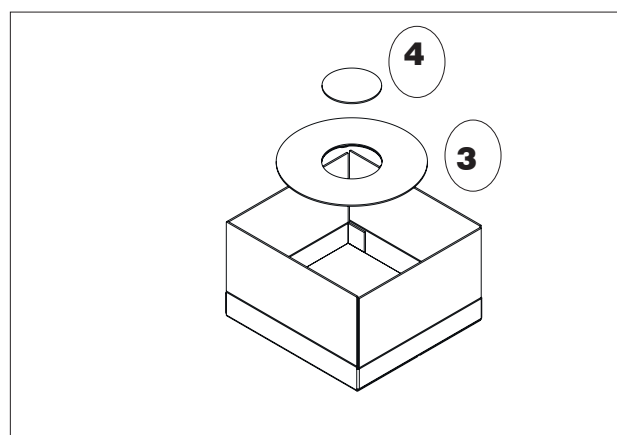
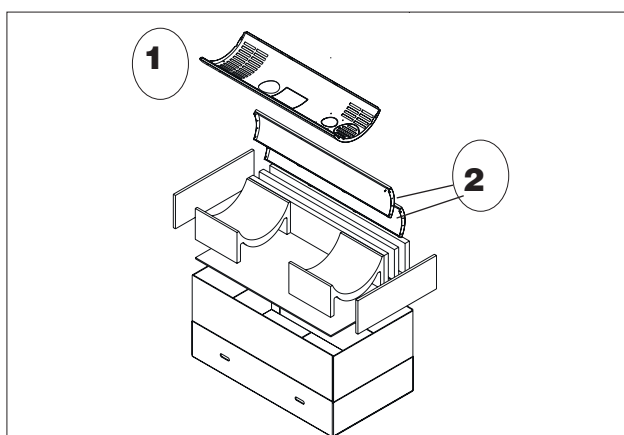
The cladding is in two packs.

One contains:

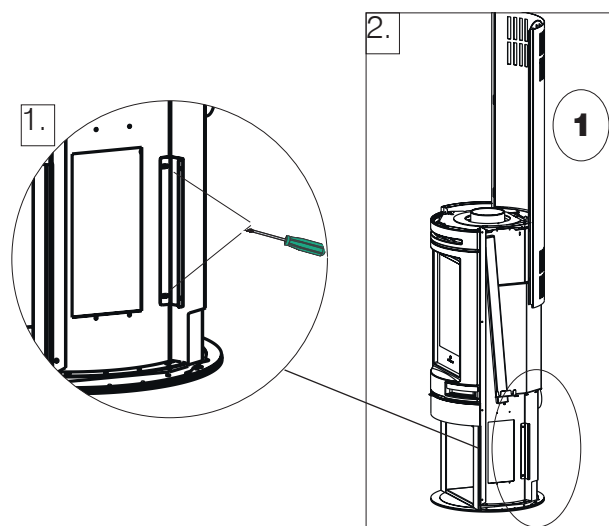
- 1 rear protective casing (1)
- 2 side panels (2) and 1 front panel for the drawer, on the Tally UP model
- 1 hardware bag with:
 - 10 self-tapping screws for the side panels and rear protective casing (and 4 additional screws for the UP version)
 - 6 M 4x9 grub screws: 4 to be fixed to the sides of the base for the side panels; 2 for the top
 - 2 M 5 grub screws (normally not used)
 - 2 M 5 nuts and 1 dome bolt to make the door self-closing (see specific paragraph)

The other pack contains:

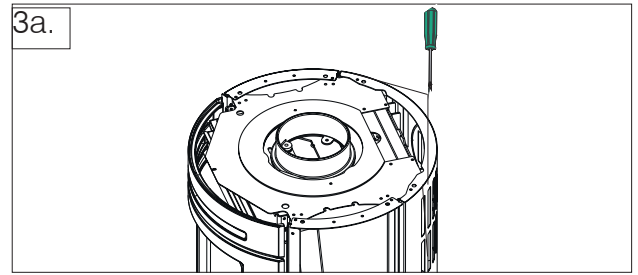
- 1 top (3)
- 1 top closure cap if the outlet is at the rear (4)

**SUMMARY OF OPERATIONS FOR FITTING THE CLADDING (description in the figures below)**

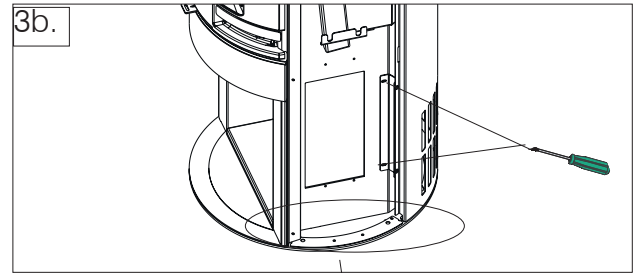
1. Loosen the two screws on the bracket fixed to the structure so as to be able to adjust the rear protective casing;
2. insert the rear protective casing



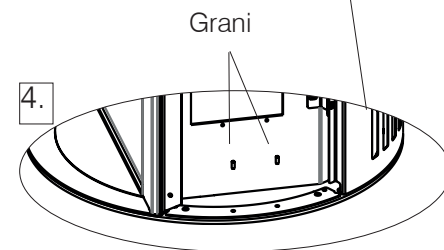
3a. fasten it with 2 screws on the top part



3b. fasten it with 4 screws (2 per side) on the bottom part, on the bracket referred to in point 1. Tighten the screws that had previously been loosened under point 1.



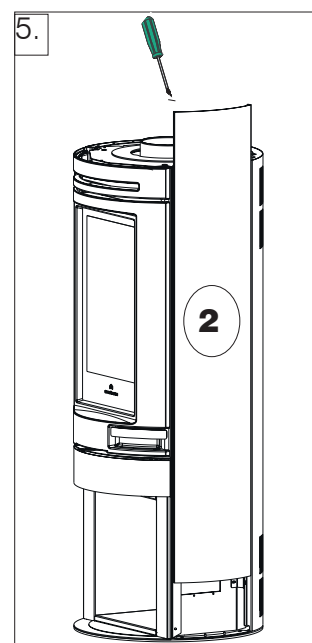
4. screw the M 4x9 grub screws to the base (two per side), onto which the side panels will be inserted



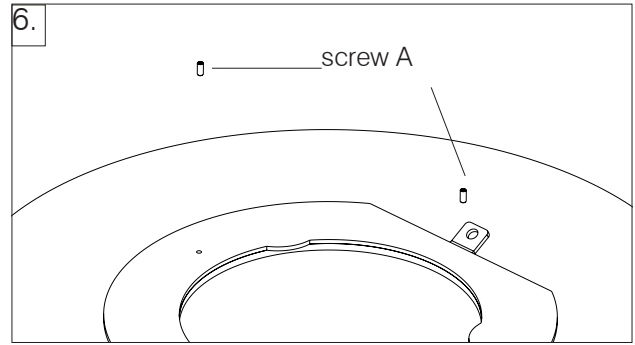
5. fit the side panels (2) and fasten them (on all sides) with 2 screws on the top part. Make sure that you insert them at the bottom onto the previously-attached grub screws



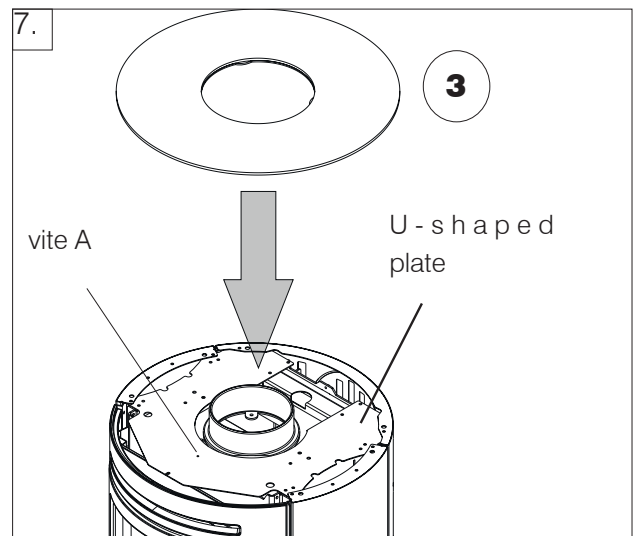
Insert the side panels with the profile facing forwards.



6. prepare the top by screwing two M 4x9 grub screws underneath.



7. then position the top, on top, centring the grub screws in the holes on the U-shaped plate, which can be adjusted if necessary with screw A.

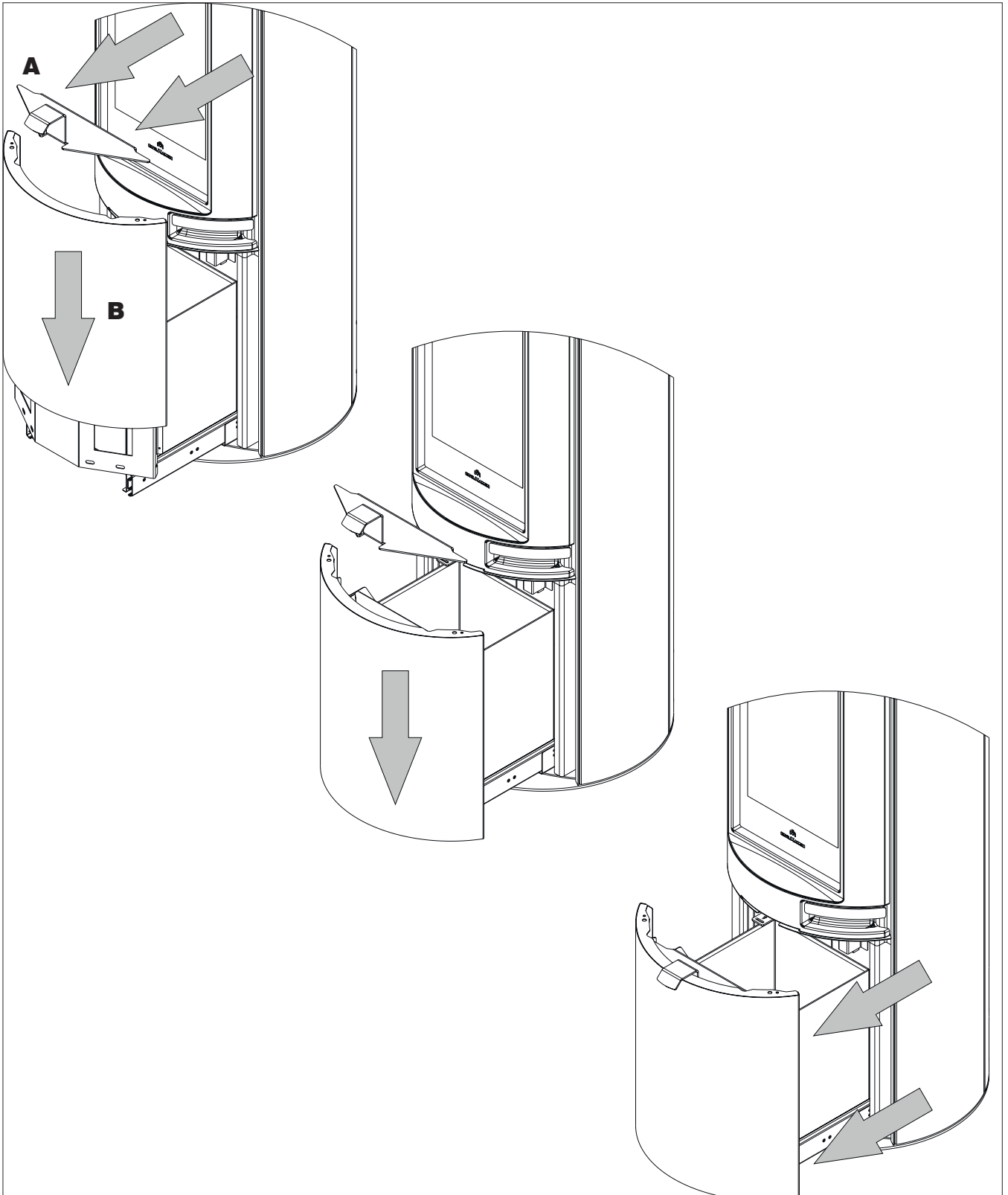


ONLY FOR TALLY UP

In addition to what is mentioned in the previous pages for the Steel Tally Base, the Tally UP has a wood drawer with a steel front that needs fitting.

FITTING THE DRAWER CLADDING

- unscrew handle A from the drawer (figure below)
- insert the front panel in steel B
- screw on the front panel B using four screws (two per side)



FITTING THE TALLY AND TALLY UP STONE CLADDING

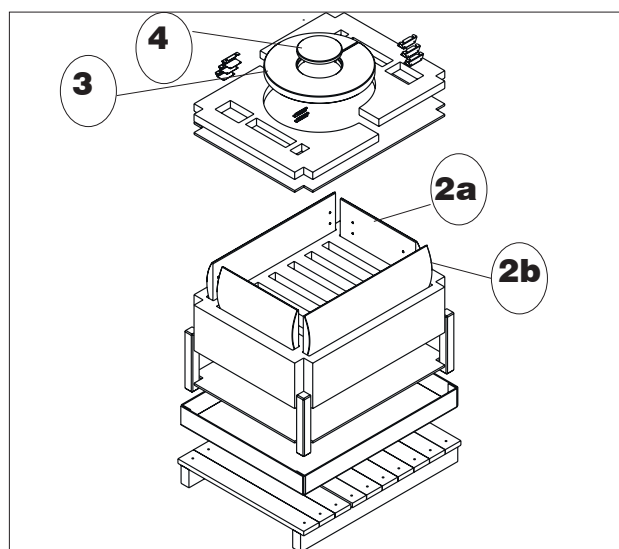
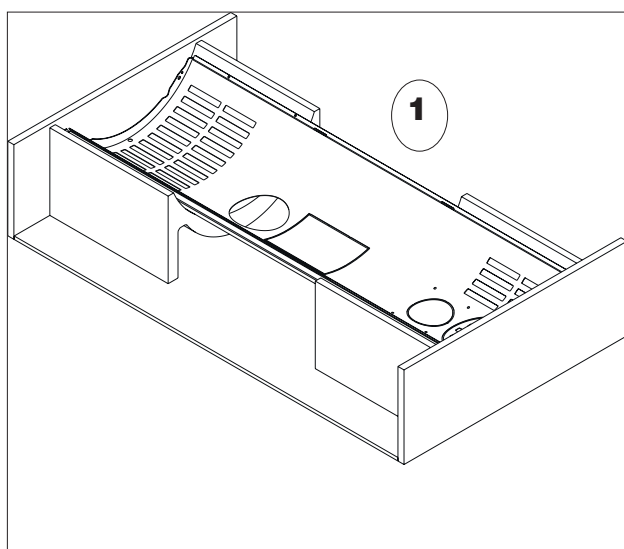
The cladding is in two packs.

The protective casing pack contains:

- 1 rear protective casing (1)
- 1 hardware bag with:
 - 2 M 5 nuts and 1 dome bolt to make the door self-closing (see specific paragraph)
 - 6 self-tapping screws to fasten the protective casing

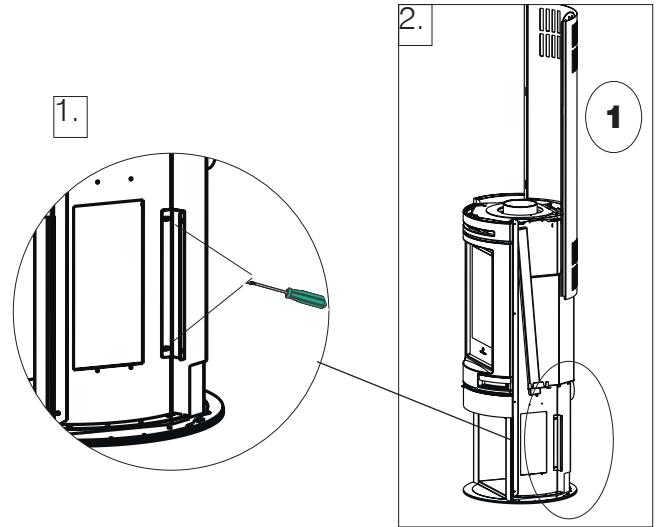
The stone piece pack contains:

- 4 elements in stone: four are 48 cm long (2a) and two 78 cm long (2b), and, only for the UP version, another two stone elements (38 cm long) for the drawer
- 1 top (3)
- 1 top closure cap if the outlet is at the rear (4)
- 6 lateral stone brackets (5)
- 2 stone block brackets (6)
- 1 hardware bag with:
 - 16 screws in total: 12 for fastening the brackets (2 per bracket) and 4 for fastening the stone block brackets (2 per bracket)
 - 16 (spacer) pins to be screwed onto the stone pieces (4 for each stone piece)
 - 2 pins to be placed under the top
 - 8 M 6x8 screws for the UP version

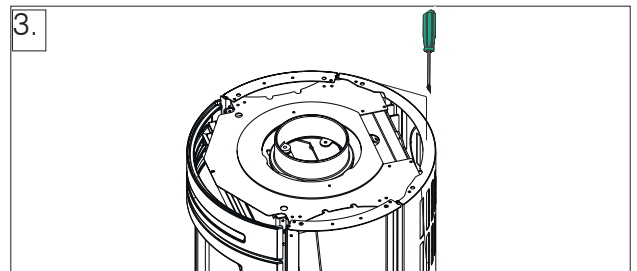


SUMMARY OF OPERATIONS FOR FITTING THE CLADDING (description in the figures below)

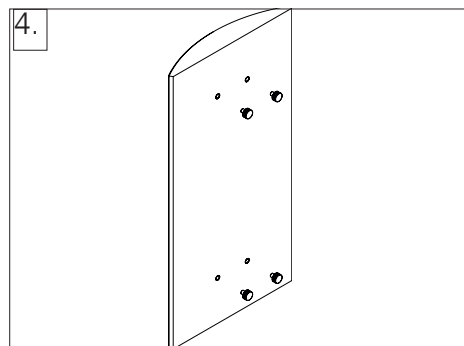
1. loosen the screws on the bracket fixed to the structure so as to be able to adjust the protective casing;
2. insert the rear protective casing



3. fasten it with 2 screws on the top part and with 4 screws (2 per side) on the bottom part

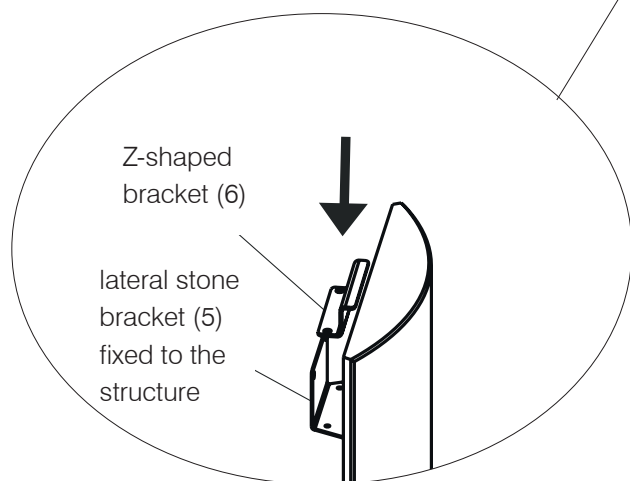
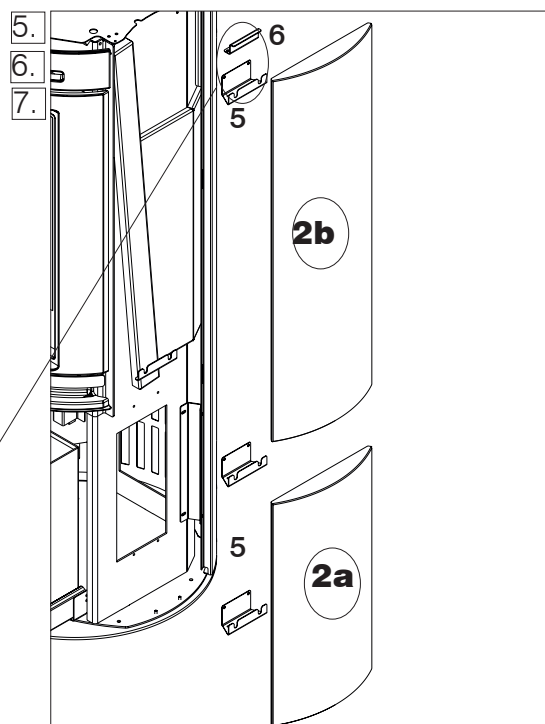


4. Prepare the side elements in stone (2a and 2b), by screwing the pins into the threaded inserts on the stone.



Tighten or loosen the pins as required to improve the alignment of the stones. In case use the thickness too.

5. fasten the metal brackets (5 - three per side) with the self-tapping screws in line with the holes on the structure.
6. starting at the bottom, insert the side panels onto the metal brackets (5).
7. block the side panels using the Z-shaped bracket (6).



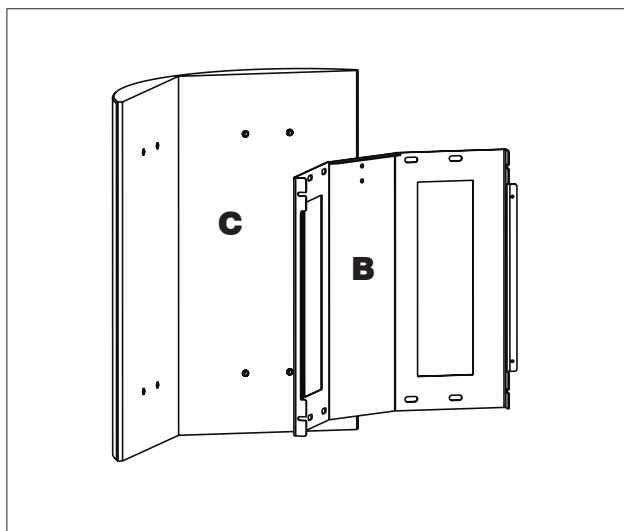
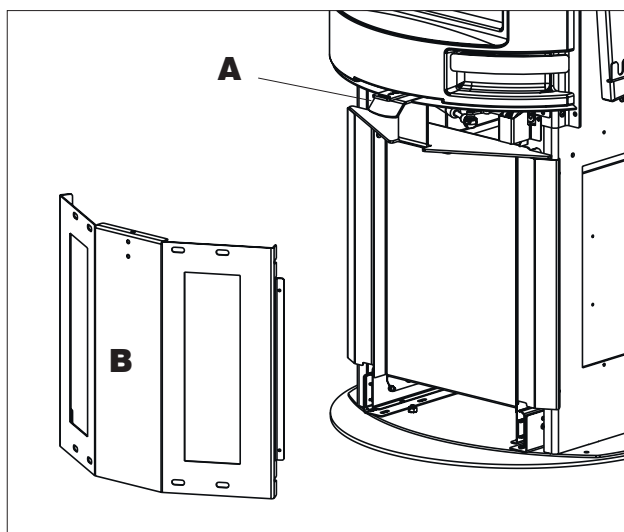
8. Position the top, on top, centring the locator pins in the holes on the U-shaped plate.

ONLY FOR TALLY UP IN STONE

In addition to what is mentioned in the previous pages for the Tally Base, the Tally UP has a wood drawer including a front with stone pieces that need to be fitted and screwed on.

FITTING THE DRAWER CLADDING

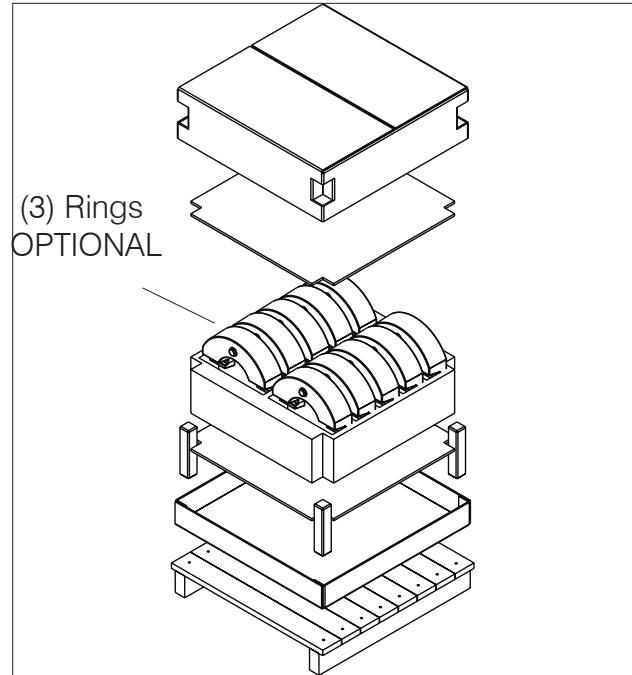
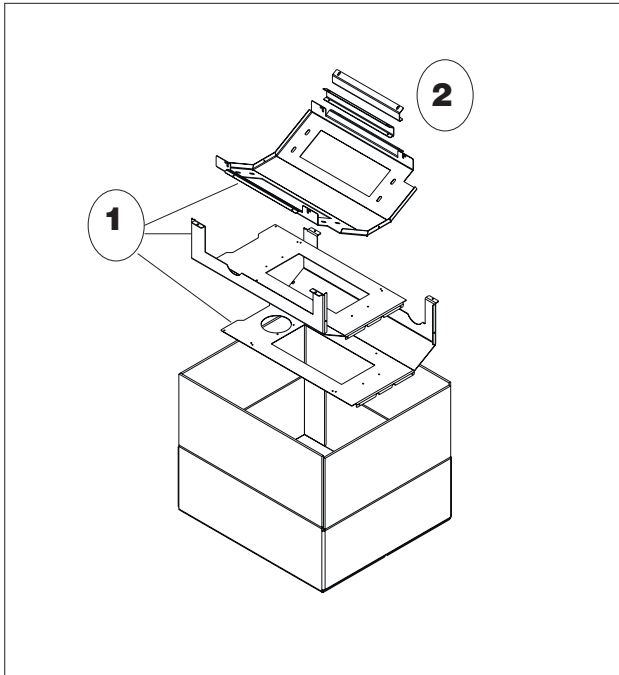
- unscrew the handle (A) from the drawer. See figure below;
- unscrew the bottom front wall (B);
- fasten the stones (C) by screwing them on from the back



**ASSEMBLING THE TALLY S (STORAGE) S KIT (to be done by the installation technician)
THE RINGS IN REFRACTORY MATERIAL (3) ARE OPTIONAL**

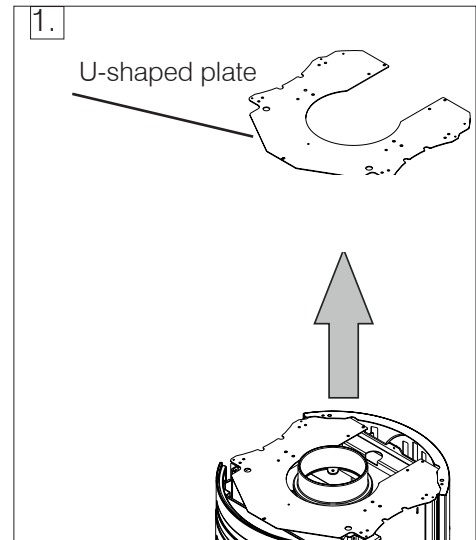
The S Kit pack contains:

- 3 containment walls of the S Kit (1)
- 2 L-shaped brackets for fixing the protective casing (2)
- 18 self-tapping screws to screw the containment walls of the S Kit



SUMMARY OF OPERATIONS FOR ASSEMBLING THE STORAGE KIT (description in the figures below)

1. remove the U-shaped plate from the structure

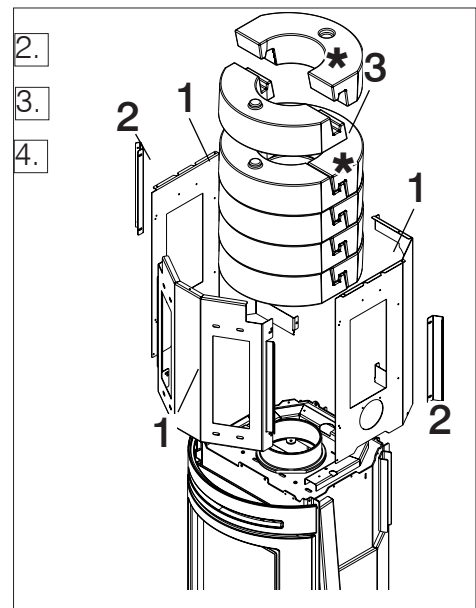


2. join together the side containment walls of the S Kit (1) and screw them onto the structure.

Fix the front section last of all (mounting the cladding), because the potstone front piece is screwed onto this.

3. install the two L-shaped brackets (2) for fixing the rear protective casing.

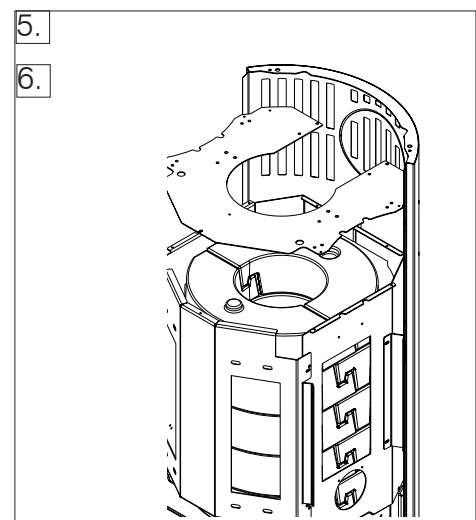
4. IF PURCHASED AS AN OPTIONAL, fit the stone discs of the storage unit (3) inserting them one on top of the other



In case of exit rear, don't use the two upper discs *

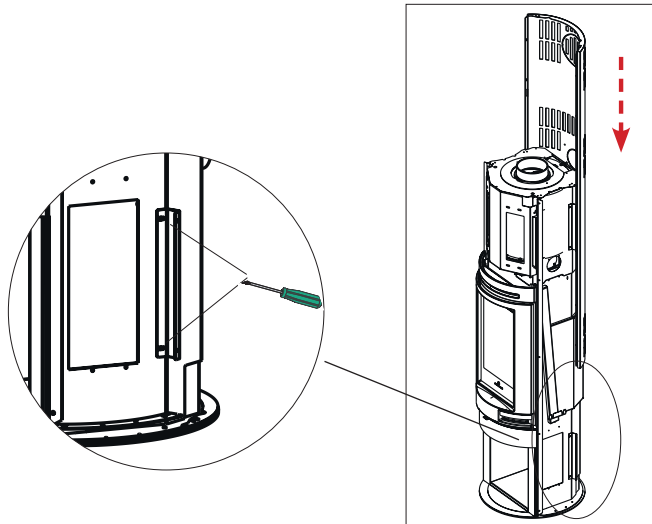
5. re-position the previously-removed U-shaped plate onto the storage kit.

6. then fit the rear protective casing and proceed with fitting the cladding in steel or potstone (at which time the front panel of the S Kit will also be fitted)

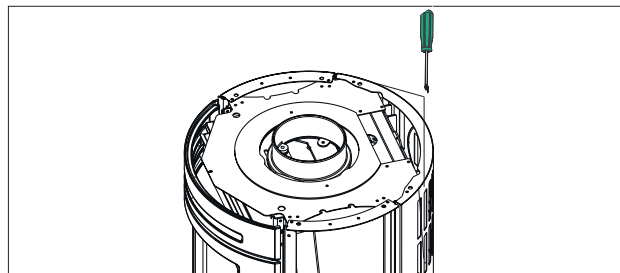


FIXING THE CLADDING TALLY S OR TALLY UP S IN STONE

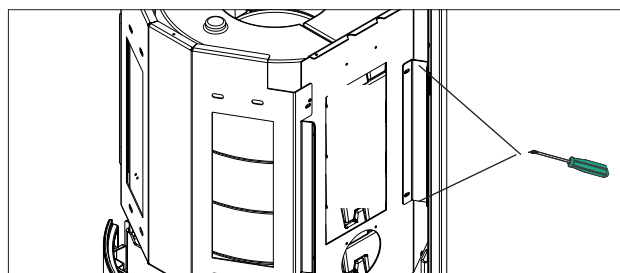
Loosen the screws on the bracket fixed to the structure so as to be able to adjust the protective rear casing
Insert the rear protective casing.



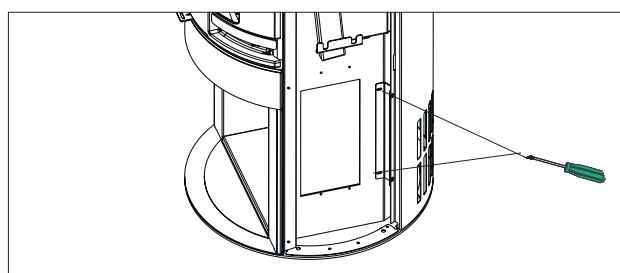
Fasten the rear casing at the top with 2 screws.



Fasten the rear casing with 4 screws (2 per side) on the top part on the bracket fitted with the S Kit.



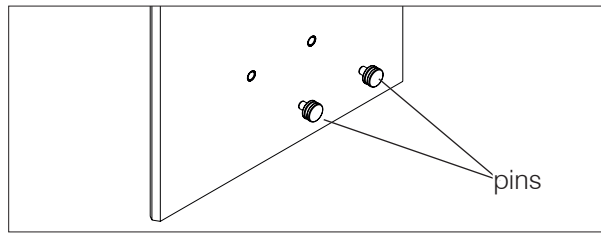
Fasten the rear casing with 4 screws (2 per side) on the bottom part of the bracket referred to in point 1.



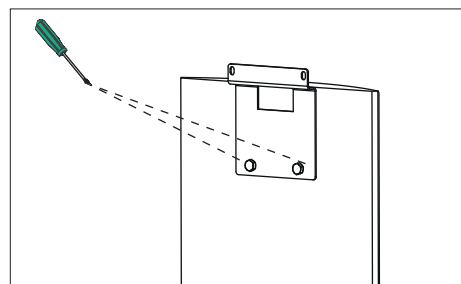
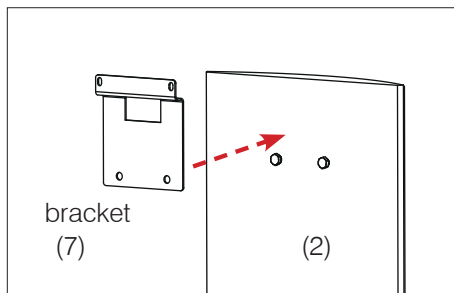
Fasten the pins to the threaded inserts on the stone.



Tighten or loosen the pins as required to improve the alignment of the stone. Use the felt pads provided if necessary.

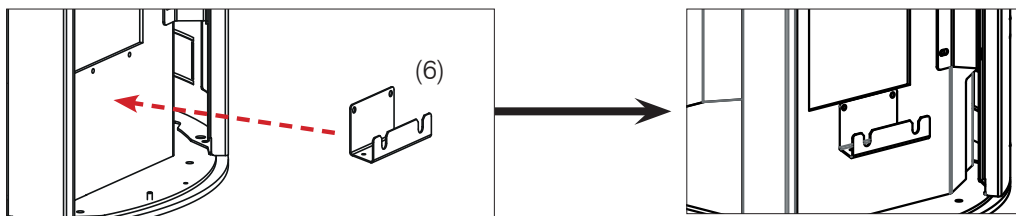


Fasten the bracket (7) on the top part of the stone bottom side (2).

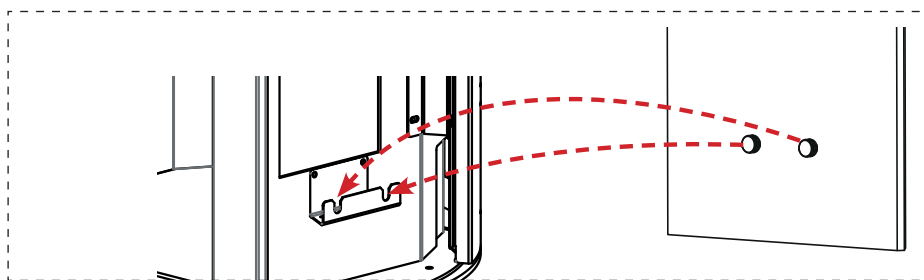


Fasten the brackets to the structure (6, one per side).

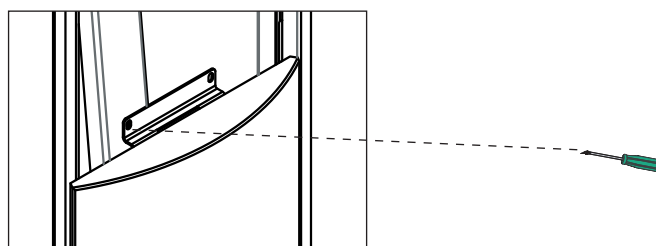
Use the self-tapping screws. If there are no holes on the structure, use the self-tapping screws to make them.



Insert the stone bottom side into the metal bracket. Insert the pins into the holes of the bracket.



Fasten the bottom side to the structure (with just one screw, as indicated below).

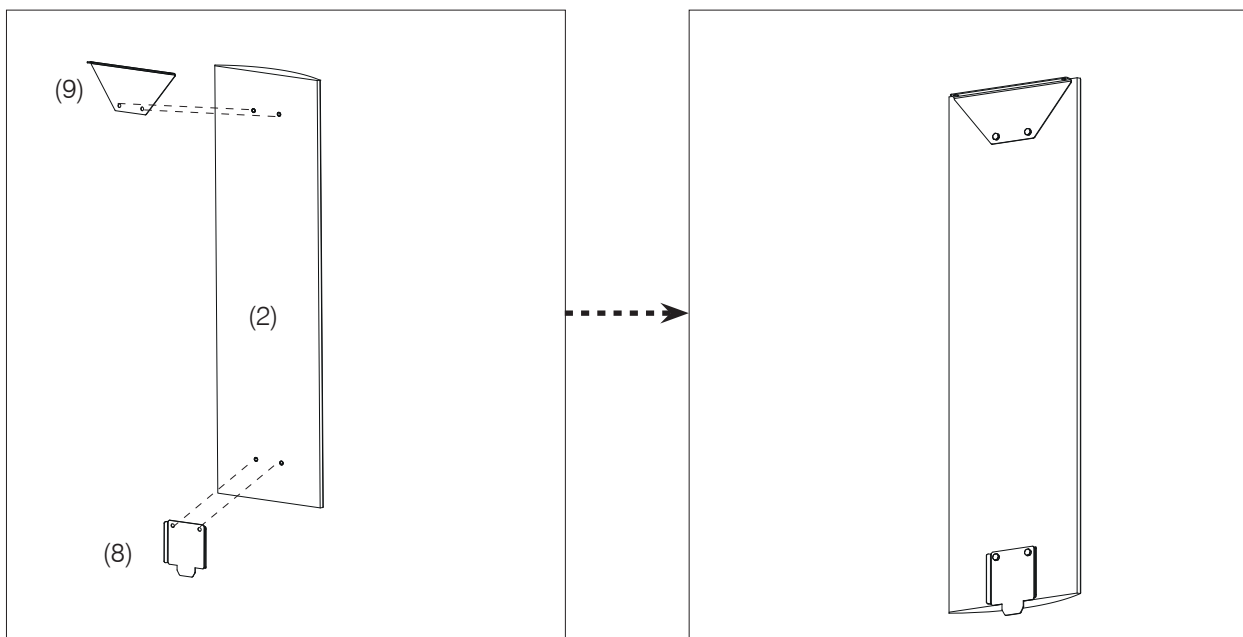


Assemble the two parts of the top front panel in stone (the large one for the S version and small one for the F version) by screwing the stones to the front wall of the S Kit.

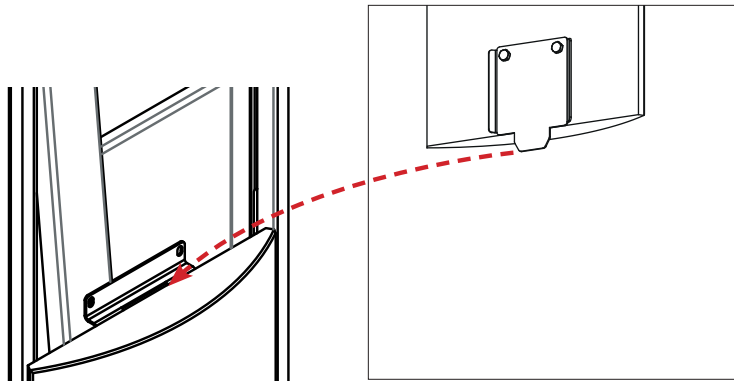


After fitting, it may be necessary to re-position some stones in order to improve overall alignment.

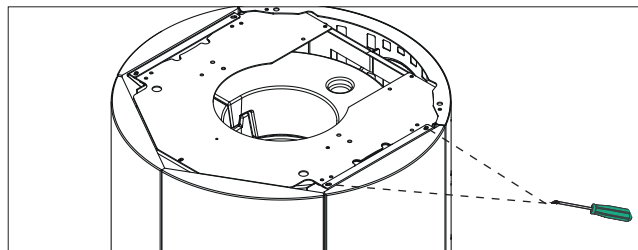
Fasten the brackets (8 and 9) to the top stone sides (2).



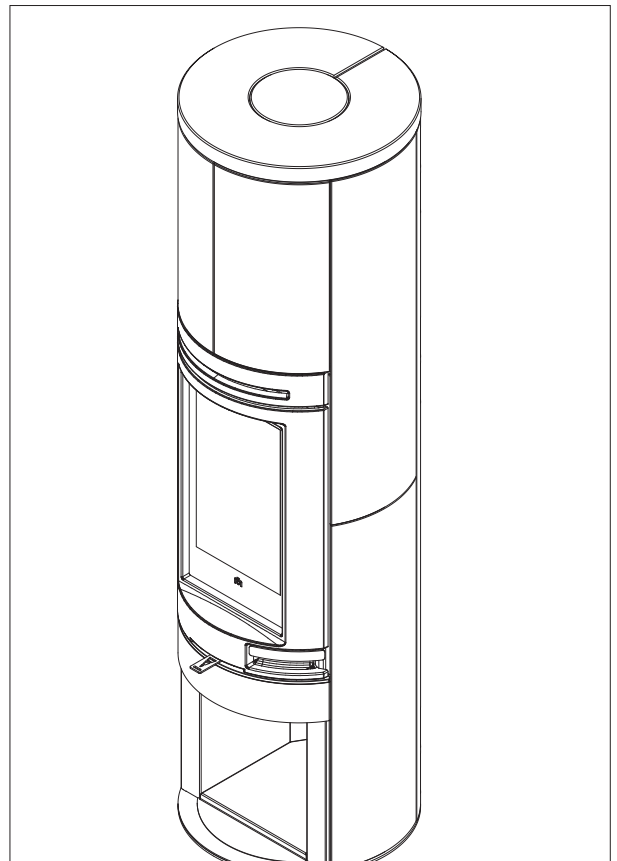
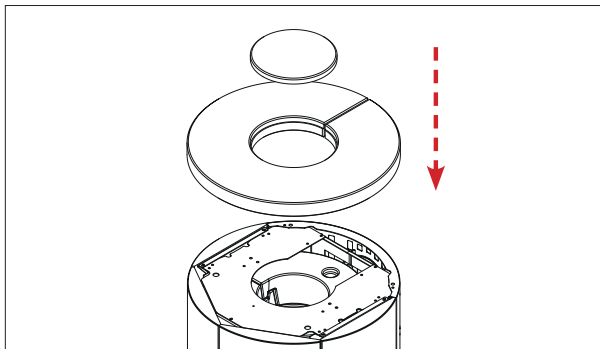
Position the top side panel onto the bottom side panel.
Fit the bracket onto the hole of the bottom bracket.



Fasten the screws of the top bracket to the structure.



Position the top, on top, centring the locator pins in the holes on the U-shaped plate.

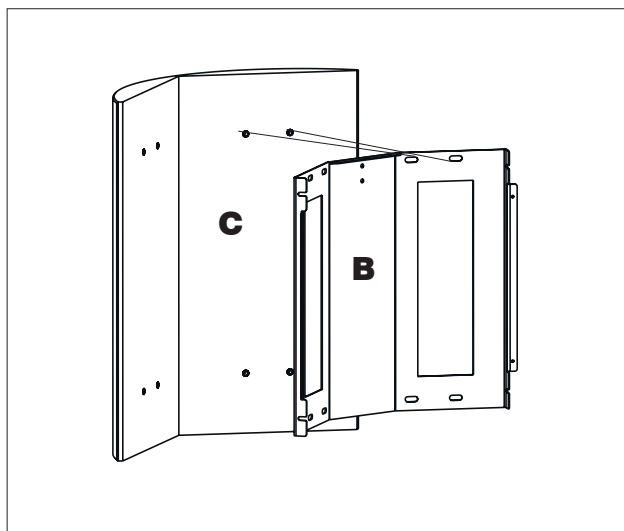
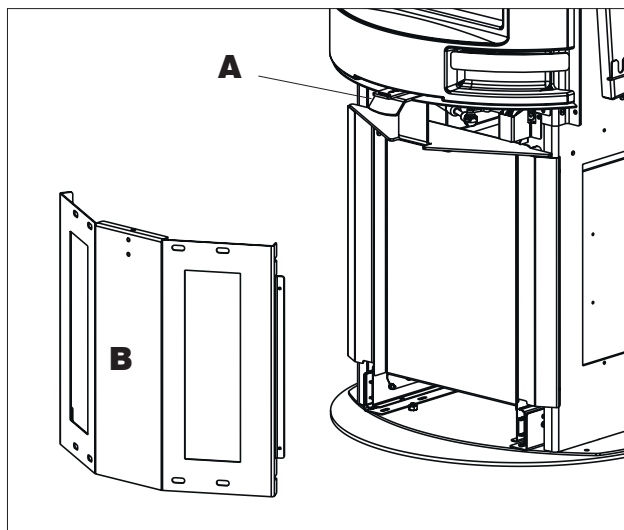


ONLY FOR TALLY UP IN POTSTONE

In addition to what is mentioned in the previous pages for the Tally Base, the Tally UP has a wood drawer including a front with stone pieces that need to be fitted and screwed on.

FITTING THE DRAWER CLADDING

- unscrew the handle (A) from the drawer. See figure below;
- unscrew the bottom front wall (B);
- fasten the stones (C) by screwing them on from the back



SMOKE OUTLET

The stove is prepared for connection of the smoke outlet tube from the top and back.

The stove is delivered configured for the smoke outlet pipe from the top.

For smoke outlet from the rear:

- remove the pre-cut diaphragm to the rear (1)
- unscrew the two screws from the smoke coupling collar on the top of the stove (2) and the two screws fastening the plug on the rear of the stove (3)
- invert the two parts (smoke coupling collar 2 and plug 3) and screw them back in, paying attention to the seal
- inside the stove packaging there is a metal cover supplied which should be used to close the smoke outlet hole on the top (4).

POSITIONING ON THE FLOOR

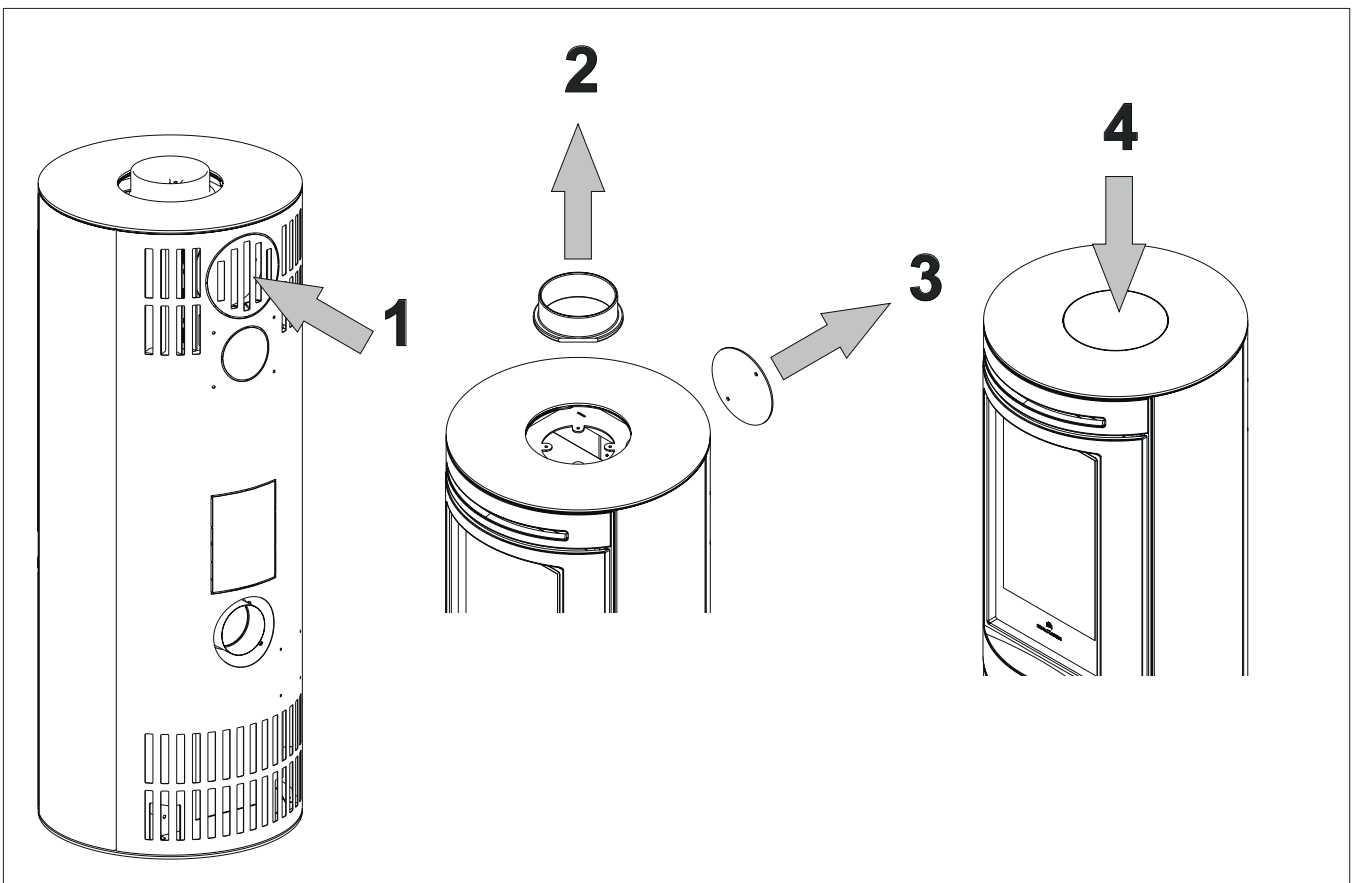
The stove is not fitted with feet.
You can decide whether to add felt pads to ensure easier movement of the stove.



Place the stove on a perfectly-flat surface.



In case of exit rear, don't use the two upper discs*



INTRODUCTION ON INSTALLATION

Remember that:

- the stove must be installed by qualified staff who can issue a Declaration of Conformity
- all the local and national laws and the European Standards must be met for installation and use of the product.
- In the event of installation in apartment blocks, ask the administrator's opinion beforehand.

The general instructions are provided below, taking the Italian standard UNI 10683 as an example and guideline.

Checking the suitability of the installation premises

- The volume of the room must be over 15 m³
- Installation is not permitted in bedrooms, bathrooms or premises with other products that take in air for combustion of the same premises or in premises with an explosive atmosphere. Any extractor fans, if working in the same environment or space in which the product is installed, can cause draft problems.
- In Italy, check compatibility pursuant to UNI 10683 and UNI 7129 in the presence of gas products.
- The floor must be able to support the weight of the stove and the accessories.

Protection from heat and safe distances

All the surfaces of the building adjacent to the stove must be protected against heating. The insulation measurements to implement depend on the type of surface present.

Distance from flammable materials must be:

- 40 cm from the sides ;
- 40 cm from the back

In the event of installation on a floor with inflammable material and/or combustible material or with insufficient capacity, you are advised to position the stove on a steel or glass plate to distribute the load. Ask the retailer about the optionals.

CHIMNEY SYSTEM

(Smoke channel, chimney flue and chimney stack)

This chapter is drafted according to the European Standards EN 13384, EN 1443, EN 1856, EN 1457. The installation technicians must take into consideration these and any other local standards. The manual should in no way be considered a replacement for the laws in force.

The stove must be connected to a suitable smoke discharge that guarantees completely safe evacuation of the smoke produced by combustion.

Before positioning the stove, you need to check the chimney flue is suitable.

SMOKE CHANNEL, CHIMNEY FLUE

The smoke channel (pipe that connects the smoke outlet of the fireplace with the chimney flue inlet) and the chimney flue must, along with other legal provisions:

- receive the discharge for a single product (multiple product discharges are not permitted together)
- have a mainly vertical development
- no section should have a reserve slope
- have an inner section preferably circular and however with a ratio between sides lower than 1.5
- complete the roof with the appropriate chimney stack: direct discharge is forbidden on walls or towards closed spaces, even if outdoors
- be created with materials with a fire reaction class A1 pursuant to UNI EN 13501 or similar national standard
- be appropriately certified, with an appropriate fireplace plate, if metal
- keep the initial section or change it only immediately above the stove output and not along the chimney stack

THE SMOKE CHANNEL

- if in metal must have a CE marking (EN 1856-2) or similar national law;
- cannot be in flexible metal material
- to check the flow, a shutter is advised for draft over 25 Pa

THE CHIMNEY FLUE:

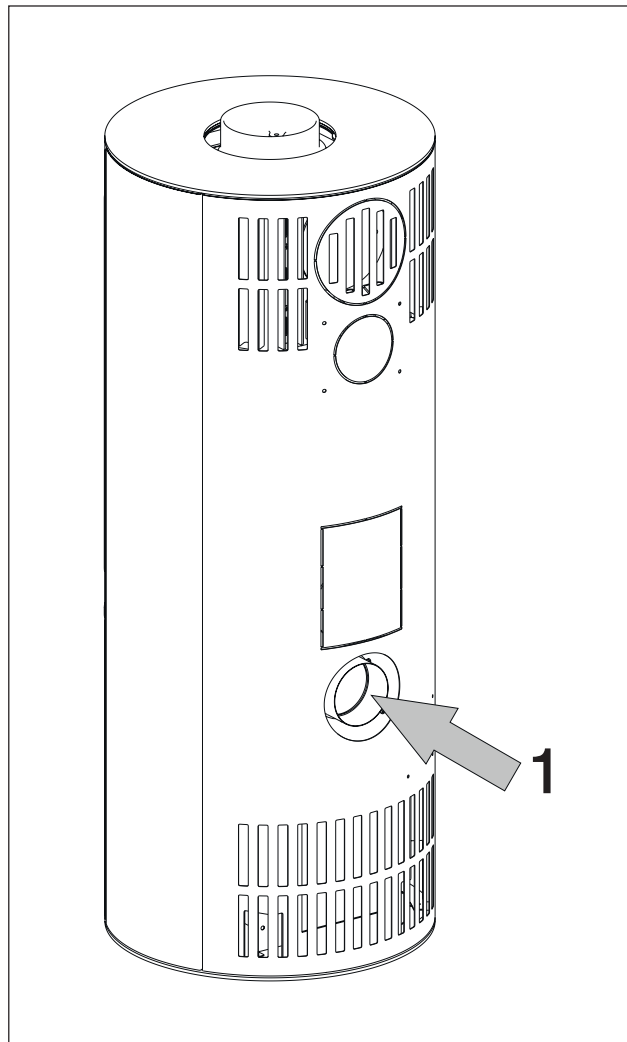
- must have a draft capable of creating negative pressure ideally around 12 Pa. Lower drafts can cause leaking smoke if the door is open; higher values tend to generate fast combustion by reducing the yield
- must be correctly sized to meet smoke evacuation (EN 13384-1)
- must preferably be insulated, in steel with a circular inner section. If rectangular, the inner edges must have a radius under 20 mm and a ratio between between the inner dimensions <1.5
- normally have a minimum height of 3.5-4 metres
- maintain a constant section
- be waterproof and thermally insulated to guarantee draft.
- preferably create a collection chamber for unburned fuel and any condensate
- be at least category T400, with an adequate resistance to soot fire if pre-existing, it must be cleaned to avoid risk of fire.

THE CHIMNEY STACK

- must be wind-proof
- have an internal section equivalent to that of the chimney flue and passage section outlet equal to at least double the inner passage of the chimney flue
- for paired chimneys (which should be at least 2 m apart) the chimney stack of the chimney flue receiving the product discharge with solid fuel or that of the highest floor must be at least 50 cm taller
- must go beyond the reflux zone
- must enable chimney maintenance

EXTERNAL AIR INTAKE

To re-integrate burnt oxygen during stove functioning, you need to have an installation premises suitable for the external air intake. The intake must preferably be installed at floor level and must have a passing surface of at least 200 cm² (Ø 16). Alternatively, you can take the air for combustion directly from outside. Connect a Ø 10 cm tube directly on the back of the stove (1), by applying a protection grid which must not reduce the passing useful section. You are advised not to exceed 3 metres in length based on the chimney flue draft.



FUEL

The stove was designed to burn wooden logs or sawdust briquettes.

Use dry wood logs (max. humidity 20%) Use logs with a maximum length around 33 cm vertically and 25 cm horizontally and a maximum diameter of 20-30 cm The use of damp wood would cause the product and the flue to get dirty, the risk of smoke and a lower yield than that declared. Each type of wood has different characteristics that also influence combustion yield.

The data outlined on this manual are with wood used during certification.

In general wood can have a heat of combustion up to 4.5 kWh/kg while cut fresh it has heat of combustion around 2 kWh/kg

In general, beech or elm is recommended, or however class A1 wood according to UNI EN ISO 17225-5

Attention to prolonged use of wood with aromatic oils (e.g. eucalyptus). Cast iron parts can deteriorate

Use the recommended quantities of wood:

Overloading causes overheating, resulting in damage:

- possible deformation of the inner parts;
- possible irreversible changes to the colour of the paint on the metal parts

for which Edilkamin or the retailer cannot be held liable.

To respect the environment and safety, do NOT burn, among other things: plastic, varnished wood, coal and bark waste.

Do not use the stove as an incinerator.

Use of these fuels also nullifies the guarantee.

AIR ADJUSTMENT

Move the air adjustment lever forward or back to allow more or less combustion air in the combustion chamber.

- “Brazier Maintenance” position (Fig. 1)

Air valve command withdrawn.

This position is used to extend combustion (for example at night, or when you are not at home) so the product goes to the minimum, saving fuel and maintaining the flame.

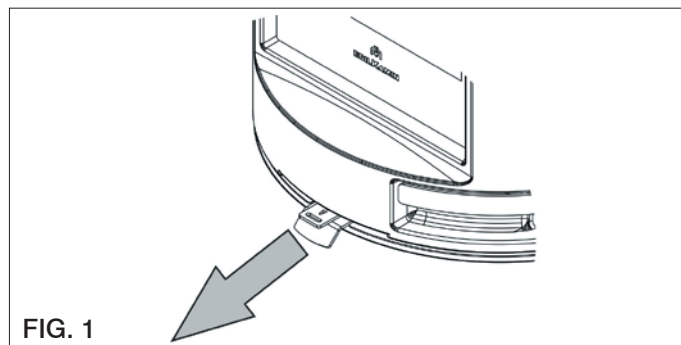


FIG. 1

- Intermediate position (Fig. 2)

Command in intermediate position.

This position allows combustion completion.

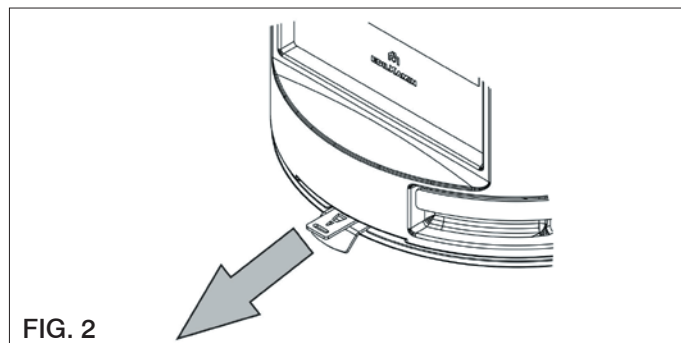


FIG. 2

- “Switch on”/max power position (Fig. 3)

Air valve command totally extracted. It has the purpose of bringing a large quantity of air in the fireplace to enable quick and efficient lighting of the fire. Useful to switch on a cold stove and give maximum power in the fireplace.

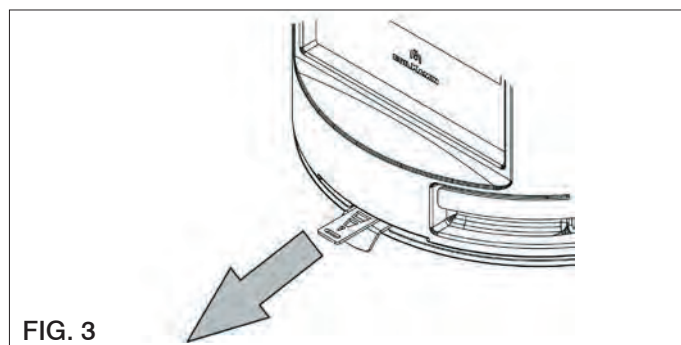


FIG. 3

First switch on phases

- Ensure you have read and understood the content of this manual
- Remove all the inflammable parts from the product (manuals, labels, etc.). In particular remove any labels from the glass. If they melt, they would irreversibly damage the glass.

For initial switch on of the fireplace, always use the smallest logs. Use larger wooden logs to raise the fire. Always locate the wood deep in the fireplace, almost in contact with the rear wall, so that even if they slide they won't come in contact with the glass.

There may be a slight smell of paint the first few times it is ignited, however, this will disappear quickly.

Lighting a cold fireplace

1. Check the existing ash bed is not too high. If the ash bed is too high, there is a danger of opening the door of the fireplace to add wood and possible brazier fragments fall out of the fireplace.
2. Position the adjustment lever of the valve in the "total opening" position. The air for combustion will flow intensely to the wood in the fireplace, to quickly reach good combustion.
3. place the wood in the fireplace without excessively squashing it in. Position a firelighter between the wood logs and light. Never user materials such as petrol, alcohol and similar to switch on.
4. At this point, close the door and monitor it for a few minutes. If the fire should extinguish, slowly open the door, re-position another firelighter between the logs and light again.

Lighting a hot fireplace

When should wood be added? When the fuel is almost completely consumed to embers. With the glove supplied, slowly open (to avoid formation of vortexes that can cause smoke to exit) the door. Add the desired wood to the fireplace, locating it on the existing embers (within the quality limits indicated in the technical table).

Stove functioning changes with the chimney flue draft and adjustment of the air valve in combustion.

Functioning with initial low draft

To extract air for combustion and discharge the smoke, the fireplace needs a draft to be exerted on the chimney flue.

If the draft is weak, initially light a "starter" fire using small sized lighting material.

Once the correct draft is restored, you can add the fuel.

As with all the products, the wood stove heats and cools during the various phases. This would lead to normal dilation. Such dilation can cause slight settling noise, which is not a reason for dispute.

The hot air reaches the premises with natural motion (natural convection) without the help of a fan. The retailer also offers an Air Diffuser kit with fans to distribute the hot air in the premises.

NOTE FOR UK

Refuelling on to a low fire bed

If there is insufficient burning material in the firebed to light a new fuel charge, excessive smoke emission can occur. Refuelling must be carried out onto a sufficient quantity of glowing embers and ash that the new fuel charge will ignite in a reasonable period. If there are too few embers in the fire bed, add suitable kindling to prevent excessive smoke

Fuel overloading

The maximum amount of fuel specified in this manual should not be exceeded, overloading can cause excess smoke.

Tally is equipped with a piston to enable door closure return, if opened up to little under 90 °.
 Opening over the 90 °, the door will not close.
 The Tally stove can be made fully self-closing by applying a screw in the threaded hole in the figure below.

SPECIAL FEATURES OF TALLY S

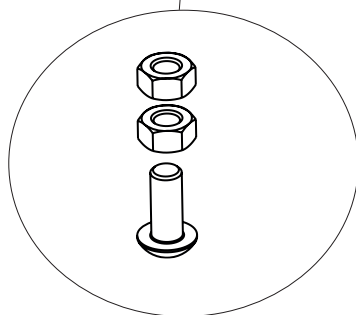
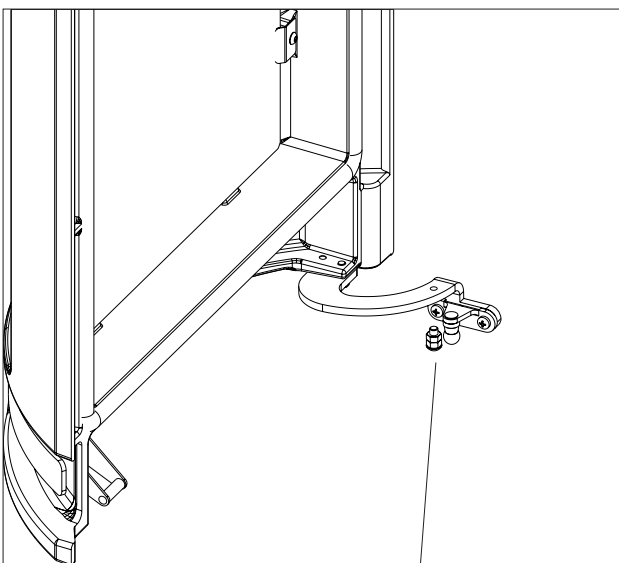
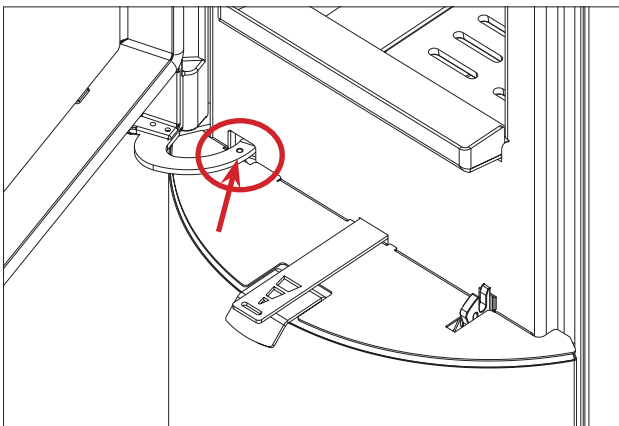
The food warmer was designed not as an oven for baking but simply to heat food.
 Ordinary maintenance is recommended with tray removal.

Tally S accumulation was designed to maintain heat and diffuse it even when the stove is off.

Accumulation in refractory material absorbs the heat produced by the stove and gradually releases it in the premises.

This means you can keep the premises warm for hours without loading it.

The heat released naturally depends on the previous loads and the overall installation and use situation.



**ATTENTION!**

All the cleaning operations of all the parts should be carried out with the stove completely cooled.

Removing ash

The ash pan is located under the fireplace. It must absolutely be emptied before the ash reaches the hip. It should be removed when the stove is cold, for example each morning before switch on.

Cleaning the glass

You can use specific products to clean the glass (see our Glasskamin pricelist).

Do not spray the product on painted parts or the seals of the door. An alternative to the product is a rag soaked in a bit of white ash and a piece of newspaper. Attention, ensure there are no abrasive elements in the ash that could scratch the glass.



Ceramic glass installed on the products can resist heat up to approx. 750°C and is tested and controlled before and after assembly to check for the presence of cracks, bubbles and blowing.

The glass, despite its high resistance to temperature, is however a fragile element and therefore you are advised to move the door cautiously without banging or forcing it.

Glass, since it is not flexible, can break.

Cleaning the external parts

The covering must be clean without using aggressive detergents. Do not wet with cold water when the covering is hot because the thermal shock could cause damage.

Cleaning the chimney flue

This should be carried out before the use season and each time you note a layer of soot and tar has formed inside, a substance that is easily flammable.

Scale, in the presence of high temperatures and sparks, can catch fire with serious consequences both for the chimney flue and for the home. You are therefore advised to clean at least once a year.

IN THE EVENT OF PROBLEMS**1) In case of smoke leaking from the fireplace hearth, check if:**

Installation is correct (smoke channel, chimney flue, stack, air intake). The wood used is dry. the door was opened too quickly

2) In the event of uncontrolled combustion, check if:

The seals of the fireplace are intact:
The door of the fireplace is closed properly.

**3) If the glass gets dirty quickly, check if:
The wood used is dry.**

However, consider that after a few hours of work, it is normal for a light layer of soot to form on the glass.

4) If the chimney flue catches fire or you need to suddenly extinguish the fire lighting in the fireplace:

- if possible, in safe conditions, remove the ash and brazier using tools and only touch metal containers with fireproof gloves.
- in the event of a fire, ask the authorities for help

5) In case of odours, check if:

If first switch on: in this case a paint smell is normal.
If the product is dirty or dusty

If you cannot solve the problem, contact the retailer or, in countries where present, the authorised Technical Support Centre. The guarantee is only valid if the product defect is proven.

NOTES ON REFRACTORY MATERIAL

The inner refractory material was designed to resist normal use.

Its cleaning is ensured by good combustion. The main damage to refractory material comes from:

- accidental knocks
- use of firelighters which are not ecological loading
- wood beyond the recommended amount
- use of fuel other than that recommended

Edilkamin or the retailer cannot be held liable for damage caused as described above

DISPOSAL

At the end of its service life, dispose of the product as required by regulations.



EDILKAMIN
TECNOLOGIA DEL FUOCO

www.edilkamin.com

cod. 942595-GB

12.23/B