

WOOD FIREPLACE

SCREEN EVO 80/2



TABLE OF CONTENTS

Introduction	3
Safety information	4
Technical data	5
Dimensions	6
Installation	7
Instructions for use	22
Maintenance	24
In the event of problems	25

The undersigned EDILKAMIN S.p.a. with head office headquarters at Via Vincenzo Monti 47 - 20123 Milan - Italy - VAT IT00192220192

Declares under its own responsibility as follows:
The below listed wood burning products comply with EU Regulation 305/2011 and the harmonized European Standard EN 13229:2001+A1:2003+A2:2004+AC:2006+AC:2007

Wood Fireplace trademark EDILKAMIN,
called SCREEN EVO 80/2

Year of manufacture: Ref. Data nameplate
Declaration of Performance
SCREEN EVO 80/2 - DoP n. EK 170

The liability of Edilkamin is limited to the product supply only.

Dear Sir/Madam
Congratulations on choosing our product. Before you use it, please read this manual carefully, to get the best from your new appliance in total safety.

This manual is an integral part of the product. Please keep it for the entire life of the product.
If you lose it, you can request a copy or download it from www.edilkamin.com

After unpacking the product, check the condition and completeness of the contents.
In the event of error, immediately contact the retailer where the purchase was made, providing him with a copy of the warranty booklet and the sales receipt.

The appliance must be installed and operated in compliance with local and national law and European regulations. For the installation, and for anything not specifically indicated in the manual, observe local regulations.

The diagrams in this manual are illustrative; they do not always refer specifically to your product and are not binding in any way.

The product is uniquely identified by a number, the "counterfoil", which is indicated on the warranty certificate inside the product.

Please keep:

- the warranty certificate accompanying the product
- the purchase receipt given to you by the retailer
- the declaration of conformity given to you by the installer.

The warranty conditions are given in the warranty certificate accompanying the product.

SYMBOLS

Some parts of the manual use the following symbols:



CAUTION:

Read carefully the message to which this refers, as failure to do so may result in serious damage to the product and may endanger the safety of people using it.



INFORMATION:

Failure to follow these instructions could compromise correct product use.

- Incorrect installations or improper maintenance causes safety risks, for which Edilkamin cannot be held liable.
- The product was not designed for use by people, including children, whose physical, sensory or mental capacities are reduced.
- The product was not designed for cooking.
- The product was designed to burn dry wood in the quantities and methods described in this manual
- The product was designed for internal use and in premises with normal humidity
- For the legal and standard guarantee, refer to the Certificate of Guarantee found with the product
- The product must be installed in premises where there is no danger of fire.
- In the event of fire, call the competent authorities
- Do not extinguish the fire with water jets
- The product must be kept in dry places and not exposed to bad weather.

The safety risks can be caused, among other things, by:

- contact with the fire and hot parts (e.g. glass and piping). **DO NOT TOUCH HOT PARTS** and, with the product off but hot, always use the glove supplied.

Otherwise you risk getting burnt

- use of unsuitable products for lighting (e.g. alcohol).

DO NOT LIGHT OR RE-LIGHT THE FLAME WITH LIQUID SPRAY PRODUCTS OR FLAMETHROWERS.

You risk getting seriously burned and causing damage to property and people.

- use of fuel other than dry wood. **DO NOT BURN RUBBISH, PLASTIC OR ANYTHING OTHER THAN DRY WOOD IN THE FIREPLACE.** You risk dirtying the product, fires in the chimney flue and causing damage to the environment.

- use of fuel different from the recommended fuel.

DO NOT OVERLOAD THE FIREPLACE. There is a risk of deformation with risks for people in the event of attempted

- fixing up and irreversible changes to the colour of the paint on the metal parts. Edilkamin or the retailer cannot be held liable.
- cleaning the hot fireplace. **DO NOT EXTRACT HOT.** You risk compromising the extractor and, possibly, smoke in the environment

- cleaning of the smoke channel with various substances.

DO NOT CLEAN WITH FLAMMABLE

PRODUCTS. There is a risk of fires, back draft.

- cleaning of the hot glass with unsuitable products.

DO NOT CLEAN THE HOT GLASS WITH WATER OR SUBSTANCES OTHER THAN GLASS CLEANERS RECOMMENDED OR DRY CLOTHES. There is a risk of cracks in the glass as well as permanent, irreversible damage to the glass

- deposit of inflammable materials under the safety distance indicated on this manual. **DO NOT REST LINEN ON THE Product DO NOT POSITION THE CLOTHES HORSE AT DISTANCES UNDER THOSE CONSIDERED SAFE.** Keep any form of inflammable liquid far from the appliance in use. There is a risk of fire.

- blocked opening of the air vents in the premises or air input. **DO NOT BLOCK THE AIR VENT OPENINGS OR BLOCK THE CHIMNEY FLUE.** There is a risk of a back draft in the room which could damage property and people.

- use of the product as a support or ladder (**DO NOT CLIMB ON THE PRODUCT OR USE IT AS A SUPPORT**).

You risk damaging property and people.

- use of the product with the fireplace open. **DO NOT USE THE Product WITH THE DOOR OPEN.**

For greater protection of the product, there is a spring that allows the product to close automatically.

- addition of fuel and door opening approaching the fire with flammable and loose clothing. Do **NOT** open the door or approach the glass with flammable, wide clothing whose ends could catch fire
- open the door with incandescent material exiting.

Do **NOT** throw incandescent material out of the product. You risk a fire

Lastly, you are advised to take all normal precautions in relation to home heating. If in doubt, do not act on your own initiative, but contact the retailer or installation technician.

TECHNICAL CHARACTERISTICS according to EN 13229		
The given data are indicative and taken during the certification stage at a notified Body under regulation conditions		
	SCREEN EVO 80/2	
	Nominal power	
Power output	10,4	kW
Efficiency	81,7	%
Emissions CO 13% O ₂	0,07	%
Temperature of fumes	216	°C
Minimum draught	5-12	Pa
Fuel consumption*	2,8	kg/h
Heatable volume **	270	m ³
Smoke outlet pipe diameter	200	mm
Air intake pipe diameter	130	mm
Weight including packaging	167	kg
Energy efficiency classes (2015-1186/1187 Regulation) (A++/G)	A+	

* A calorific value of 4,6 kW/Kg has been used to calculate consumption.

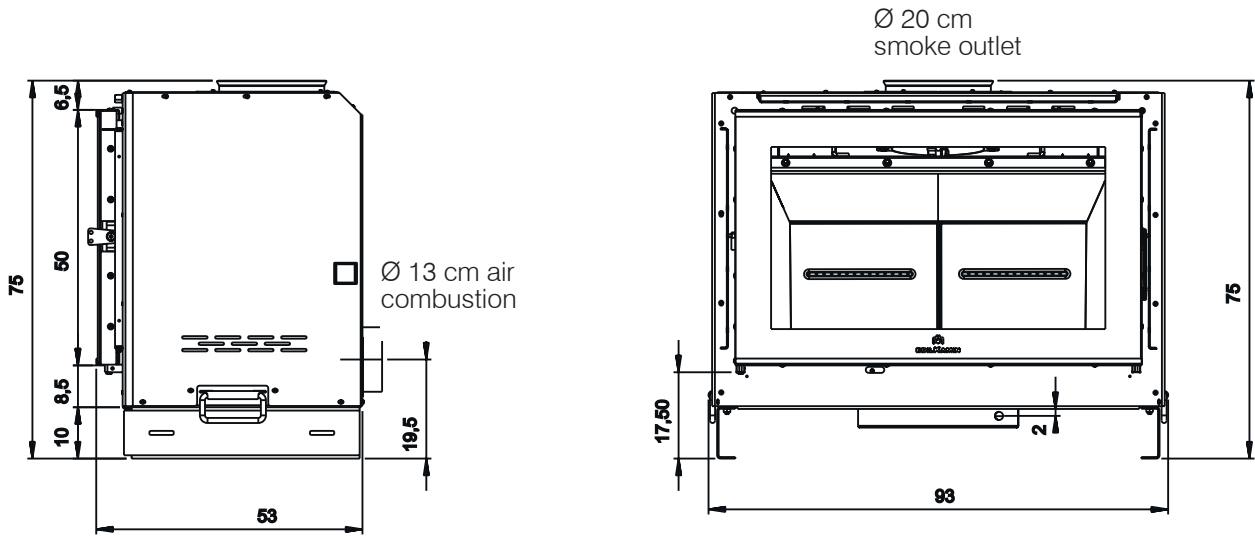
** The heatable volume is calculated based on the assumption of a heating demand of 33 Kcal/m³ hour.

TECHNICAL DATA FOR THE DIMENSIONING OF THE FLUE		
	SCREEN EVO 80/2	
	Nominal power	
Temperature of fumes on exit from the discharge pipe	260	°C
Minimum draught	5	Pa
Fume flow capacity	10,5	g/s

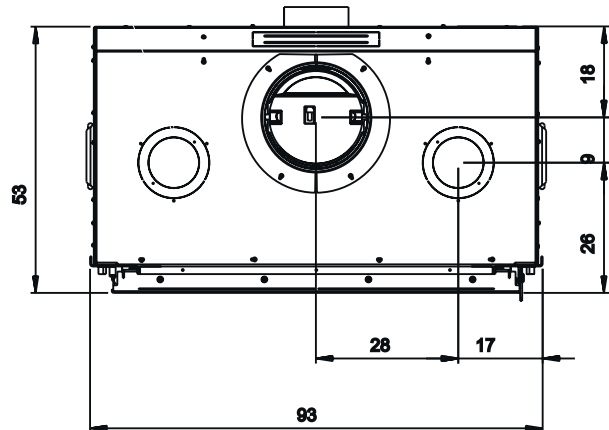
EDILKAMIN s.p.a.

Reserves the right to change the products at its discretion without notice.

SCREEN EVO 80/2 dimensions cm



warm air
 Ø 14 cm : without kit Air diffuser
 Ø 10 cm : with kit Air diffuser



PREPARATION AND UNPACKING

The materials composing the packaging are not toxic or harmful, therefore no particular disposal processes are required.

Storage, disposal and any recycling is the responsibility of the end user in compliance with the laws in force on the matter.



You are recommended to make each movement in a vertical position with suitable devices, paying attention to the safety standards in force.

Do not overturn the packaging and be cautious when assembling parts.

DETACH THE PRODUCT FROM THE PALLET

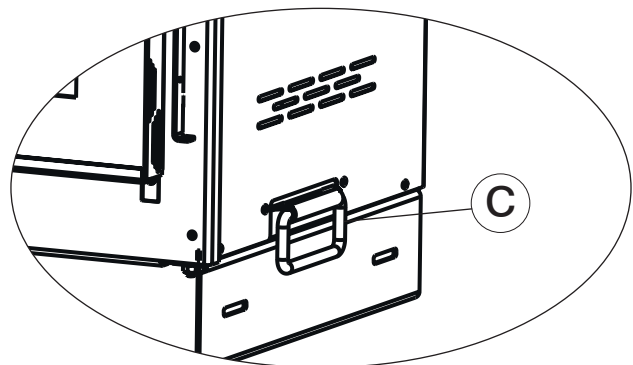
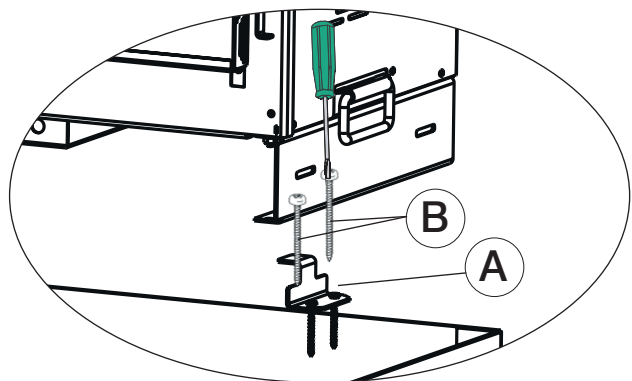
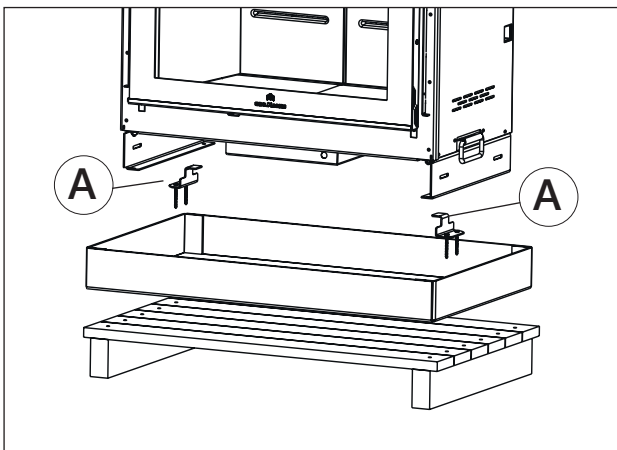
The product is secured to the pallet with two brackets **(A)**.

Remove the screws **(B)** to remove the brackets. Remove the product from the pallet, taking special care to protect the door and its glass pane from impact.

SHIFTING THE PRODUCT

To facilitate handling, the Screen UP is fitted with handles **(C)**.


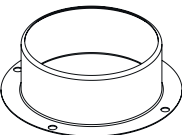

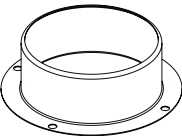
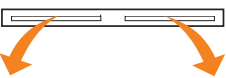

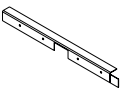
Do not use the air intake or fumes outlet to handle the appliance; it is easy to put them out of alignment in this way.



PACKAGING

The packaging can provide a useful indication of the product's condition. Check the packaging on receipt and report any anomalies to the reseller straight away.

The packaging comprises a single box containing the firebox and the following items:

Description	figure	No. of	Use
Anti-corrosion discs		2	Protects the packaged product against damp. Can be disposed of as normal household waste
R2 unions		2	For ducting, for the version without ventilation kit
Lever for air limitation		1	Regulates the combustion air flow
Connector for combustion air intake pipe, to be positioned behind or below		1	For connecting the combustion air intake pipe
Compensation vent LABEL		2	Allows hot air to circulate in the mantel and flow into the Room
Lever for opening the door			For hinged-type opening of the hearth door, figure below*
Profile to be used in the event of the inversion of the door opening direction		1	To be used in the event of the inversion of the door opening Direction on the side on which the door-opening latch is Fitted

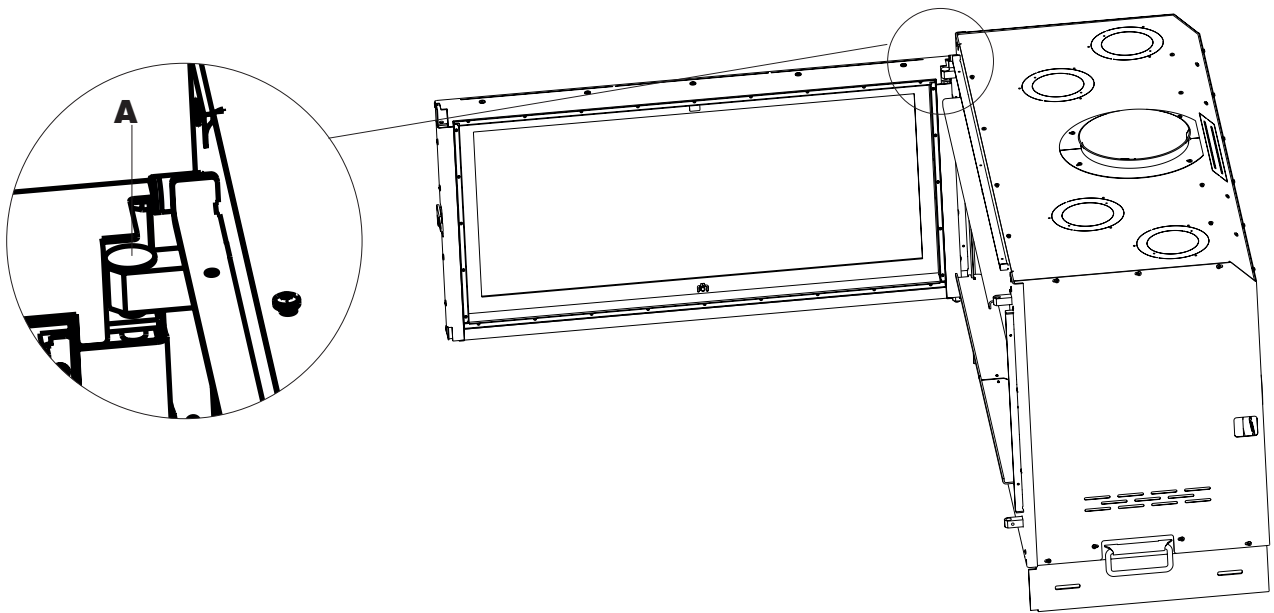
INVERSION OF THE HEARTH DOOR

SCREEN leaves the factory with the hearth door hinged on the left.
To invert the opening direction, follow the procedure given below:

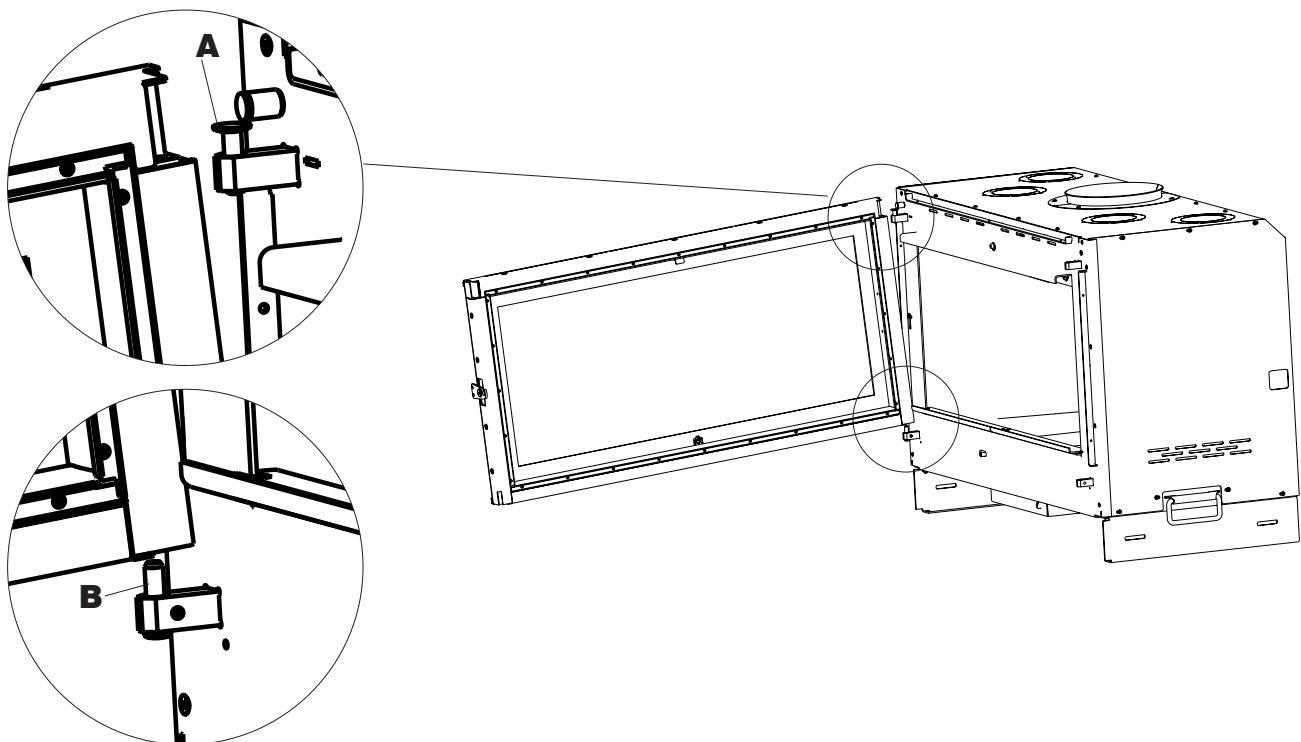


This operation should be carried out with the product not installed.
We recommend having this operation carried out by a specialised technician as incorrect execution may cause problems with the product.

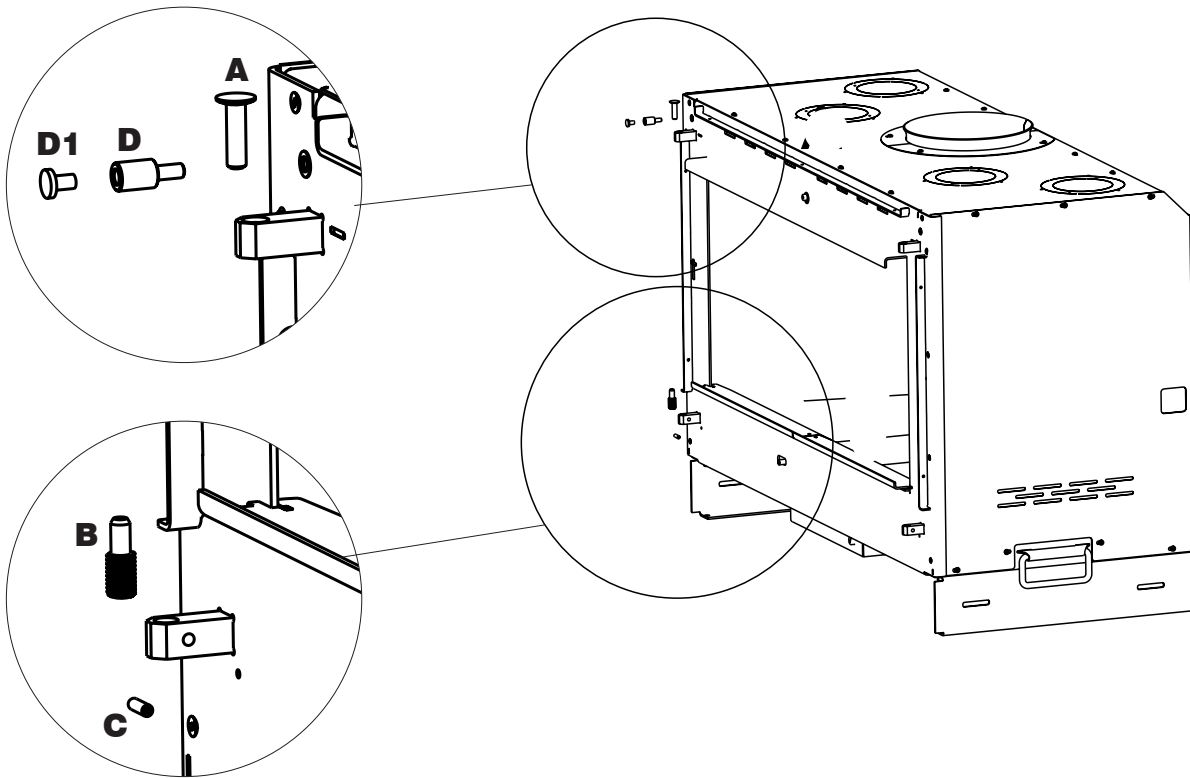
1. Open the door using the level and lift the upper pin (A) with your finger or a flat screwdriver



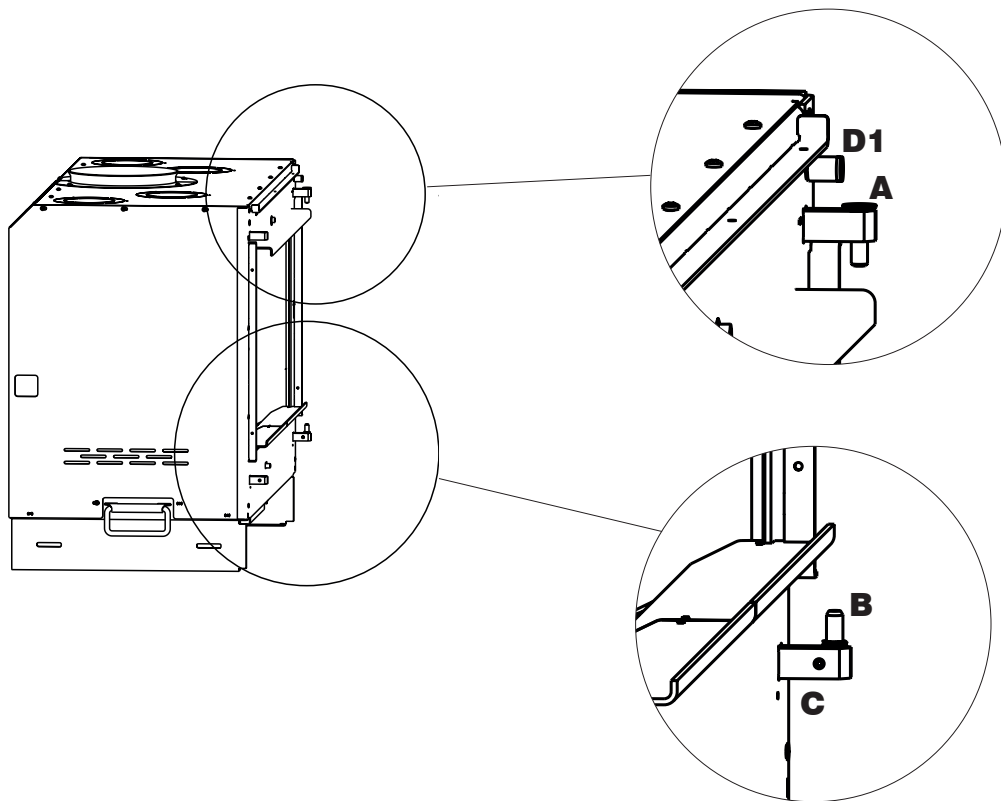
2. Hold the upper pin (A) up, remove the door by sliding it off the lower pin (B).



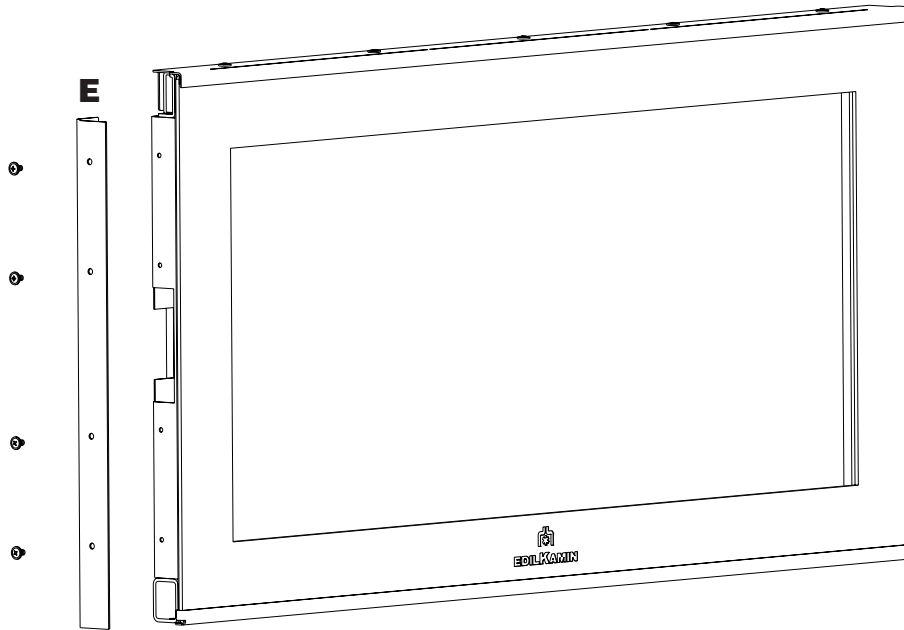
3. Unscrew dowel (C), lower pin (B) and upper door stop (D) with its plug (D1)



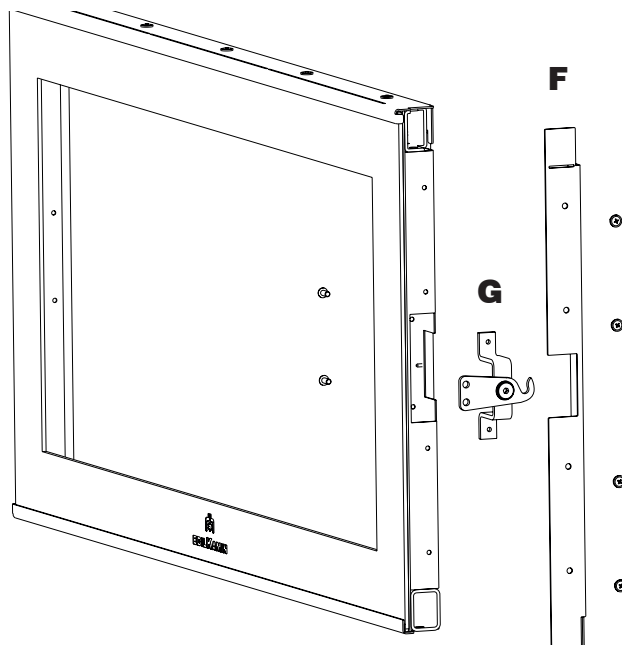
4. Refit lower dowel (C), lower pin (B) and upper door stop (D-D1) on the opposite side.



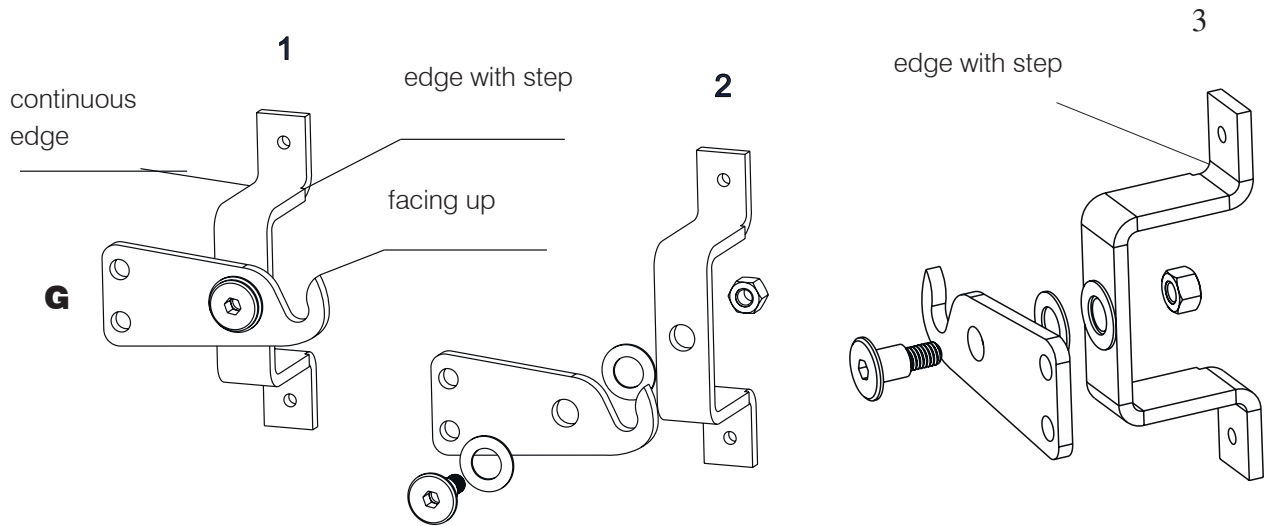
5. Take the door removed in point 2, unscrew and remove the left profile (E). This will no longer be used as it will be replaced with the new one provided with the product with a slot for the latch.



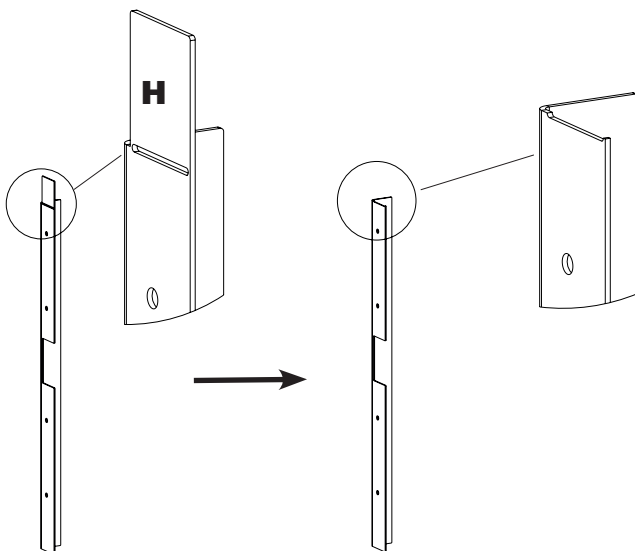
6. Unscrew and remove the profile on the right (F) and then unscrew the door opening latch (G).



7. Change the direction of the door opening latch (G), unscrewing the screw. The transformation is shown in the diagram below from point 1 to point 3. Screw the latch onto the left side.



8. Detach the pre-cut upper profile (H) from the profile provided to allow access to the upper pin. Fit it on the left side.



9. Insert the door onto the lower pin and secure it using the upper pin.

OPTIONAL THERMOSTATIC VALVE

The product can be equipped with a thermostatic valve to control the flow of air to combustion, which must be installed BEFORE THE CLADDING IS COMPLETED.

Brief description of the optional thermostatic valve installation procedure:

- open the hearth door (Fig. 1)
- Remove it to make the job easier by sliding it off the pins (fig 2) and details on door inversion instructions or leave it
- remove the two deflectors (A - Fig. 3), the top deflector, the sides (C - Fig. 3), the fire plane (B - Fig. 3).
- remove the screwed-in plate (D - Fig. 3) and the plate below (E - Fig. 4), also screwed-in, to access the compartment housing the thermostatic valve.

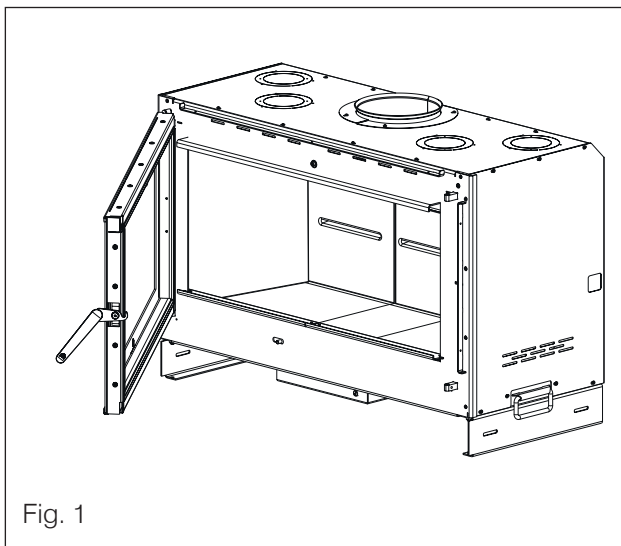


Fig. 1

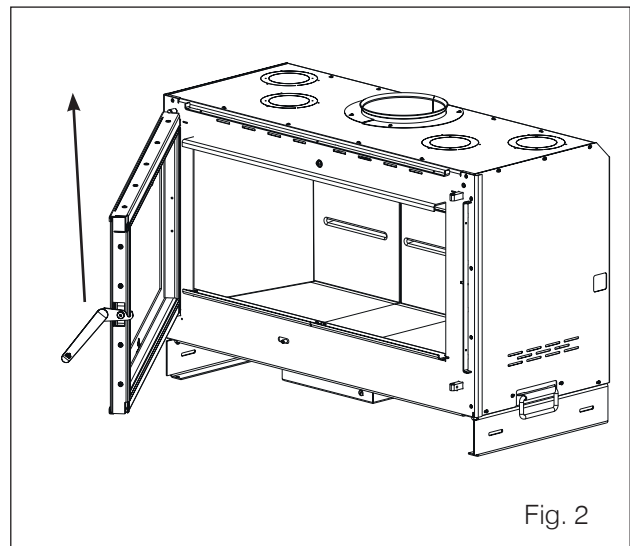


Fig. 2

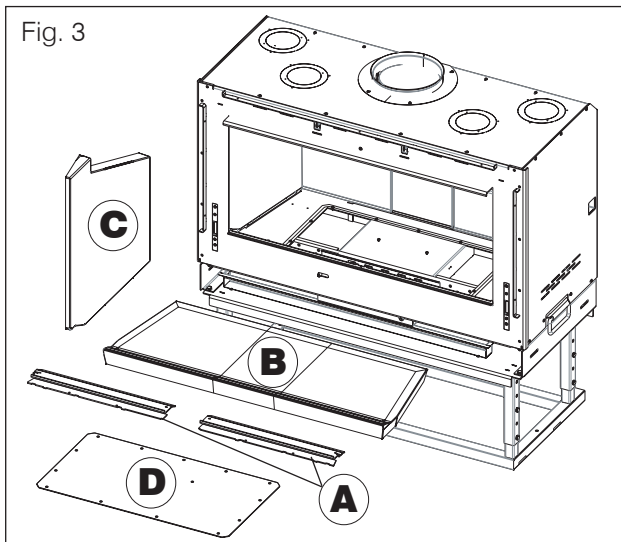


Fig. 3

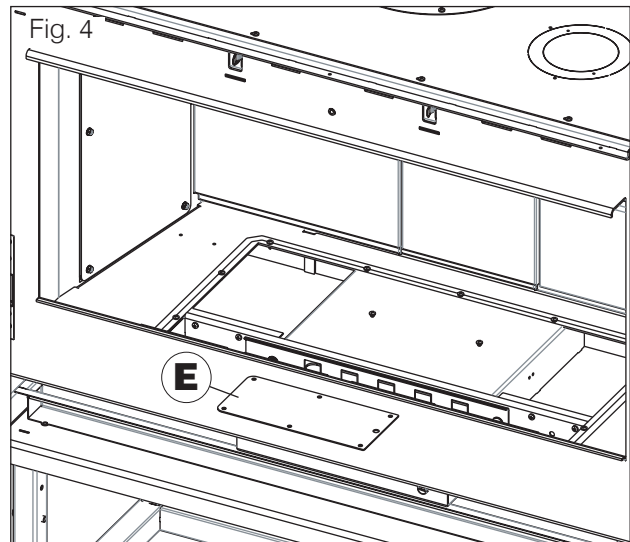
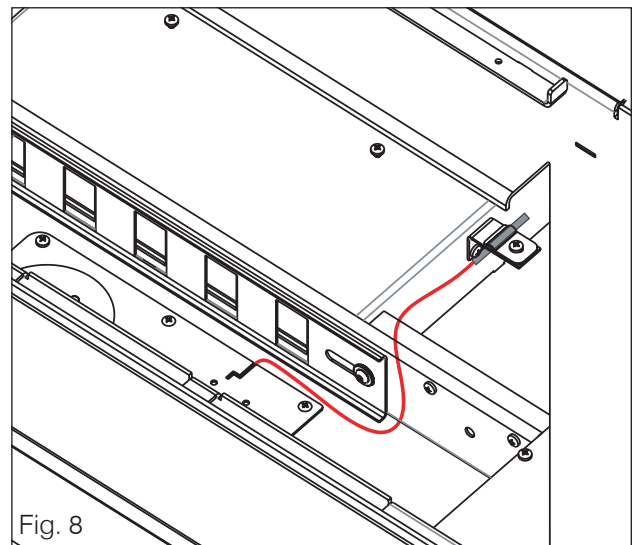
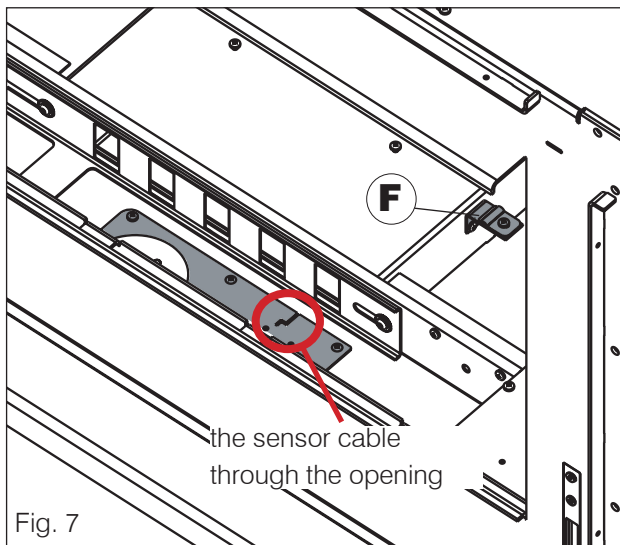
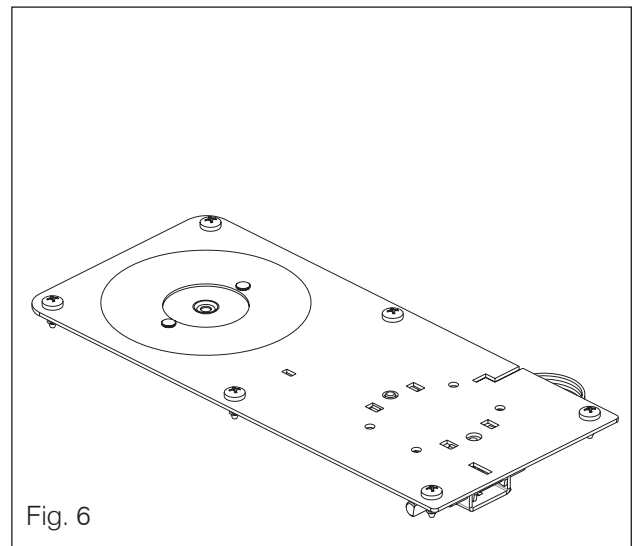
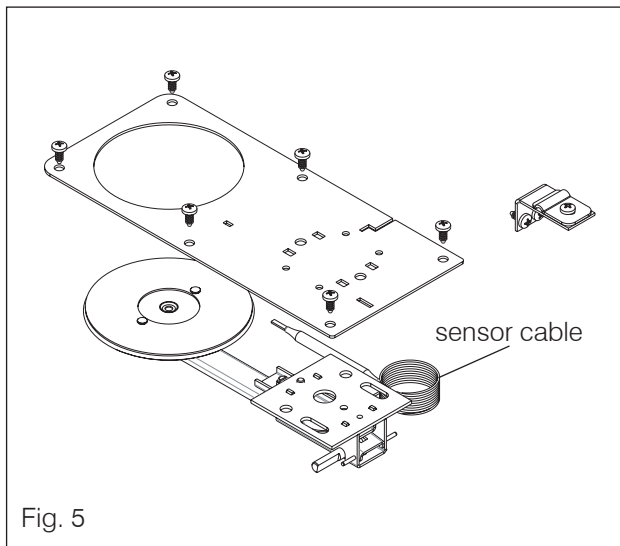


Fig. 4

- if it is not already assembled, assemble the thermostatic valve to its plate (provided - Fig. 5 - 6).
- unroll the sensor cable
- position the assembled thermostatic valve in its compartment and route the sensor cable through the opening in the plate (Fig. 7).
- screw the sensor mounting plate (**F** - Fig. 7) into the provided holes.
- fit the sensor to its bracket as shown in figure 8.



HEIGHT OF APPLIANCE

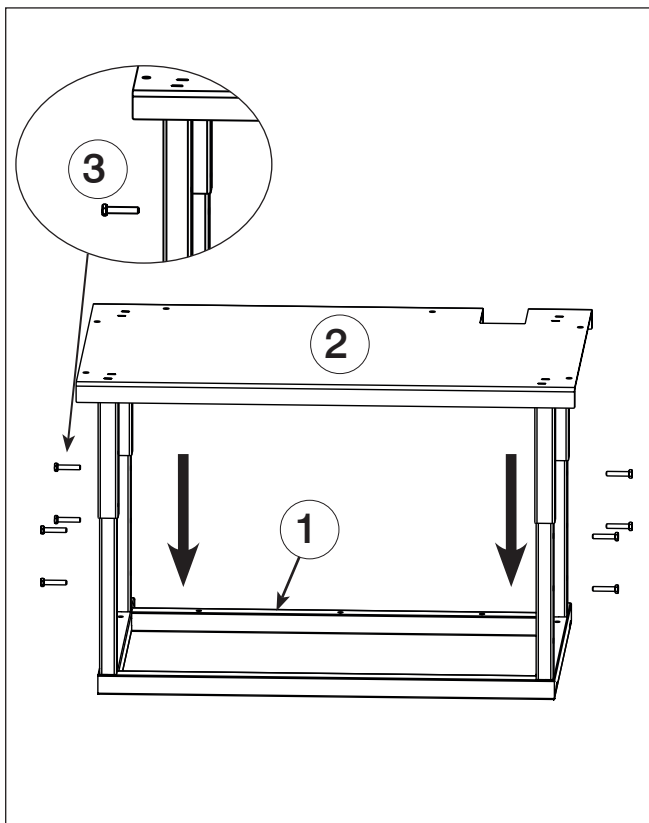
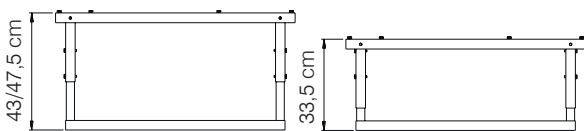
The Screen UP can be mounted on an optional stand or any other appropriate support

OPTIONAL BASE

Place the bottom of the base **(1)** in the desired position
Provide a power socket at the rear of the base, in such a way that the plug is accessible once the installation is complete, if you intend to install the Air Diffuser ducting system.

Secure the bottom of the base to the floor with 8 mm steel anchor bolts, to prevent it from tipping over.

Position the top of the base **(2)** and adjust its height with the provided bolts **(3)**.

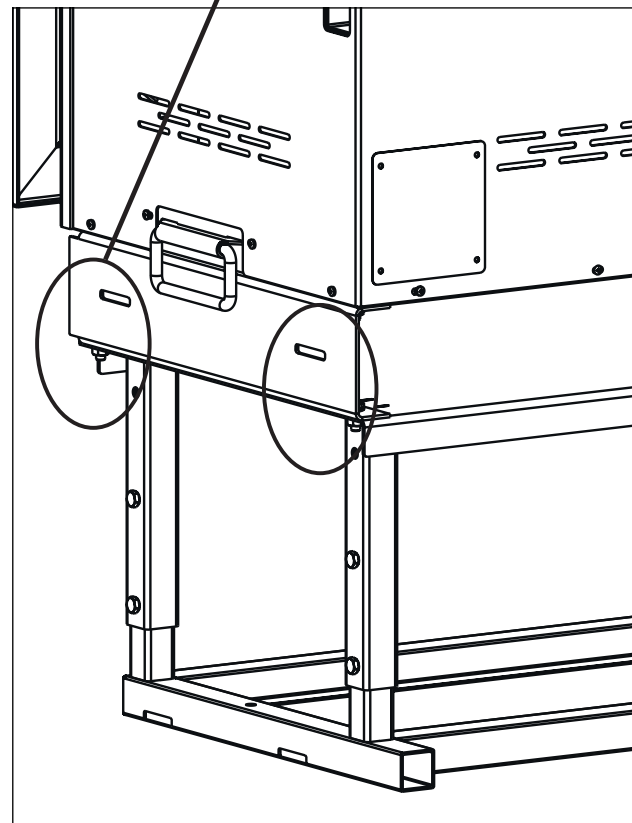
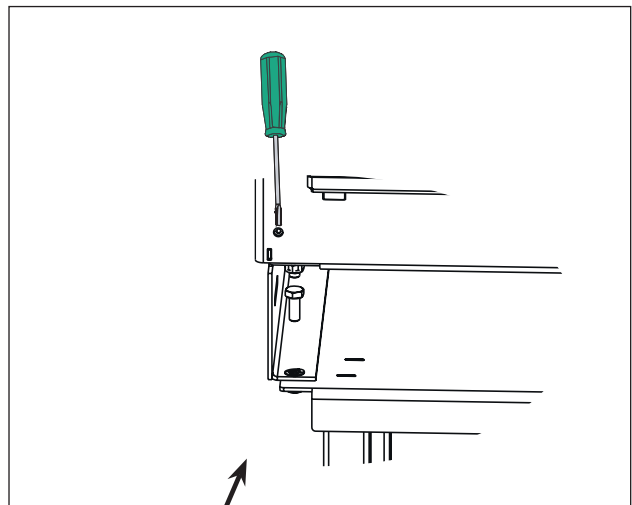


MOUNTING TO THE BASE

Use the provided screws to secure the appliance to the base.



Failure to observe the above instructions can cause the insert to tip over and may result in serious damage and injury.



INTRODUCTION ON INSTALLATION

Remember that:

- the product must be installed by qualified staff who can issue a Declaration of Conformity
- all the local and national laws and the European Standards must be met for installation and use of the product.
- In the event of installation in apartment blocks, ask the administrator’s opinion beforehand.

We give some general instructions below, however these do not obviate the need to comply with local regulations and do not affect the installer’s liability for the installation.



The hot air can circulate naturally (natural convection) or with the aid of a ventilation system (AIR DIFFUSER KIT) to be purchased separately and applied BEFORE completing the installation process.
Contact your retailer for any further information.

Checking the suitability of the installation premises

- The volume of the room must be over 40 m³
- Installation is not permitted in bedrooms, bathrooms or premises with other products that take in air for combustion of the same premises or in premises with an explosive atmosphere. Any extractor fans, if working in the same environment or space in which the product is installed, can cause draft problems.
- In Italy, check compatibility pursuant to UNI 10683 and UNI 7129 in the presence of gas products.
- The floor must be able to support the weight of the product and the accessories.

Protection from heat and safe distances

All the surfaces of the building adjacent to the product must be protected against heating. The insulation measurements to implement depend on the type of surface present.

The product must be installed in accordance with the following safety instructions:

- minimum distance of 20 cm from flammable materials along the sides and back.
- no flammable materials may be kept within 80 cm from the front of the appliance.

CHIMNEY SYSTEM

(Smoke channel, chimney flue and chimney stack)

This chapter is drafted according to the European Standards EN 13384, EN 1443, EN 1856, EN 1457.

The installation technicians must take into consideration these and any other local standards. The manual should in no way be considered a replacement for the laws in force.

The product must be connected to a suitable smoke discharge that guarantees completely safe evacuation of the smoke produced by combustion.

Before positioning the product, you need to check the chimney flue is suitable.

SMOKE CHANNEL, CHIMNEY FLUE

The smoke channel (pipe that connects the smoke outlet of the fireplace with the chimney flue inlet) and the chimney flue must, along with other legal provisions:

- receive the discharge for a single product (multiple product discharges are not permitted together)
- have a mainly vertical development
- no section should have a reserve slope
- have an inner section preferably circular and however with a ratio between sides lower than 1.5
- complete the roof with the appropriate chimney stack: direct discharge is forbidden on walls or towards closed spaces, even if outdoors
- be created with materials with a fire reaction class A1 pursuant to UNI EN 13501 or similar national standard
- be appropriately certified, with an appropriate fireplace plate, if metal
- keep the initial section



Electricity lines

There must be no electricity lines in the walls or ceiling of the fireplace installation area.

THE SMOKE CHANNEL

- if in metal must have a CE marking (EN 1856-2) or similar national law;
- cannot be in flexible metal material
- to check the flow, a shutter is advised for draft over 25 Pa

THE CHIMNEY FLUE:

- must have a draft capable of creating negative pressure ideally around 12 Pa. Lower drafts can cause leaking smoke if the door is open; higher values tend to generate fast combustion by reducing the yield
- must be correctly sized to meet smoke evacuation (EN 13384-1)
- must preferably be insulated, in steel with a circular inner section. If rectangular, the inner edges must have a radius under 20 mm and a ratio between between the inner dimensions <1.5
- normally have a minimum height of 3-4 metres
- maintain a constant section
- be waterproof and thermally insulated to guarantee draft.
- preferably create a collection chamber for unburned fuel and any condensate
- be at least category T400, with an adequate resistance to soot fire pre-existing, it must be cleaned to avoid risk of fire.

THE CHIMNEY STACK

- must be wind-proof
- have an internal section equivalent to that of the chimney flue and passage section outlet equal to at least double the inner passage of the chimney flue
- for paired chimney flues (which should be at least 2 m apart) the chimney stack of the chimney flue receiving the product discharge with solid fuel or that of the highest floor must be at least 50 cm taller
- must go beyond the reflux zone
- must enable chimney maintenance

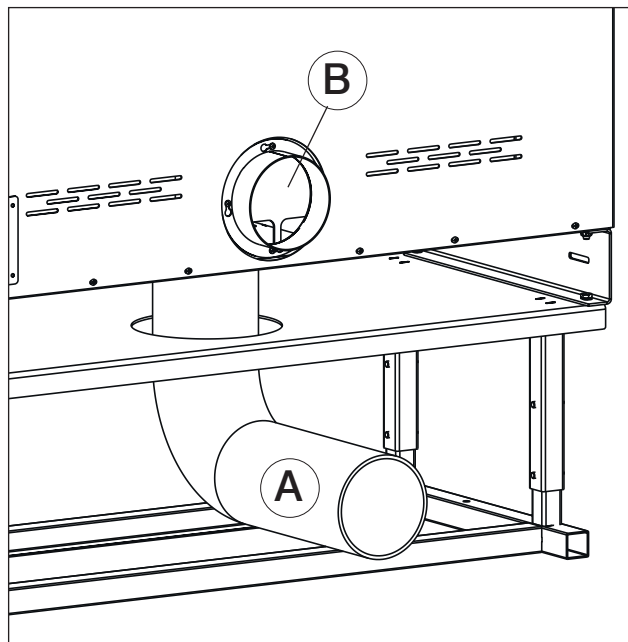
EXTERNAL AIR INTAKE

To re-integrate burnt oxygen during product functioning, you need to have an installation premises suitable for the external air intake.

We show an example rear air intake below, for a standmounted product.

Connect the Ø 13 cm pipe (A) so that it does not remain enclosed in the cladding and takes in air from the air intake.

The pipe can be connected behind (B) or below (A) In accordance with local regulations, the air intake can be mounted outside or in suitable rooms not subject to depression.



NATURAL CONVECTION CIRCULATION

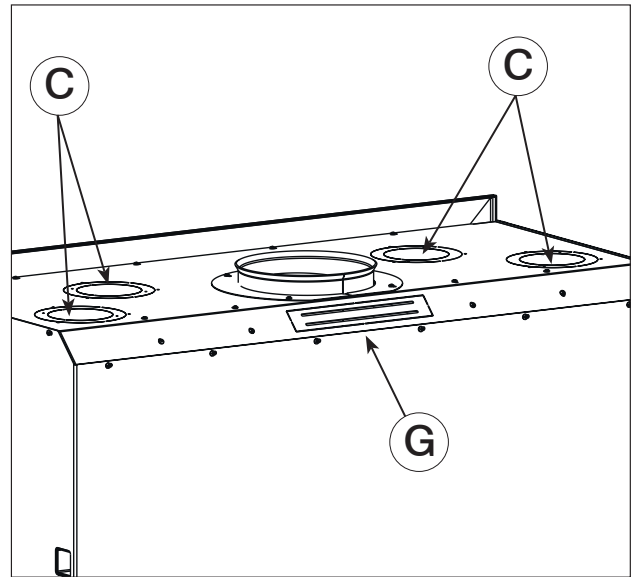
PRIOR TO INSTALLING THE FACING MATERIAL, IT IS NECESSARY TO DECIDE WHETHER TO PURCHASE AND INSTALL THE "AIR DIFFUSER KIT" FOR FORCED VENTILATION

The ambient air enters the structure via the gap between the feet and the frame itself, through the compensation vent grilles.

The hot air produced by the firebox is introduced into the rooms to be heated through the delivery vent connected to the opening on the casing cover, through a Ø 14 cm aluminium pipe.

The length of the ducting depends on the product's insulation and manner of use.

If you do not intend to use the hot air ducting kit, OPEN ALL VENTS (C) in the casing, as well as the grille (G) at the back of the product.



It is essential to guarantee the return of the air into the room where the fireplace is installed by means of grilles at the base of the walls or gaps under the doors.

Natural convection circulation

The hot air produced by the fireplace is released into the rooms to be heated by the nozzles connected to the holes on the cover of the hood with aluminium pipes Ø 14 cm. It is essential to guarantee the return of the air into the room where the fireplace is installed by means of grills at the base of the walls or gaps under the doors. The diameter of the pipes must not be less than Ø 14 cm.

The line of the pipes must be as straight as possible. The aluminium pipes can be hidden with coffer work or false beams or they can be built into the walls; in any case, they must be well insulated.

The channels must have a maximum length of 4 ÷ 5 m each.

The said length must be decreased by 1.2 m for every curve and for every nozzle consequent to the consequent load loss.

The following kits are available to channel hot air.

- Kit one/bis solo locale caminetto
- Kit two/bis
- Kit three/bis

Further details are provided in the assembly instructions supplied with the kit itself.

Circulation with Kit Air Diffuser

The Air Diffuser Kit carries hot air into the room where the product is installed or into other rooms (depending on the model), assisted by one or more fans. It is adjusted with a remote control.

Edilkamin proposes two Air Diffuser Kit models:
 ADJACENT Air Diffuser Kit
 REMOTE Air Diffuser Kit

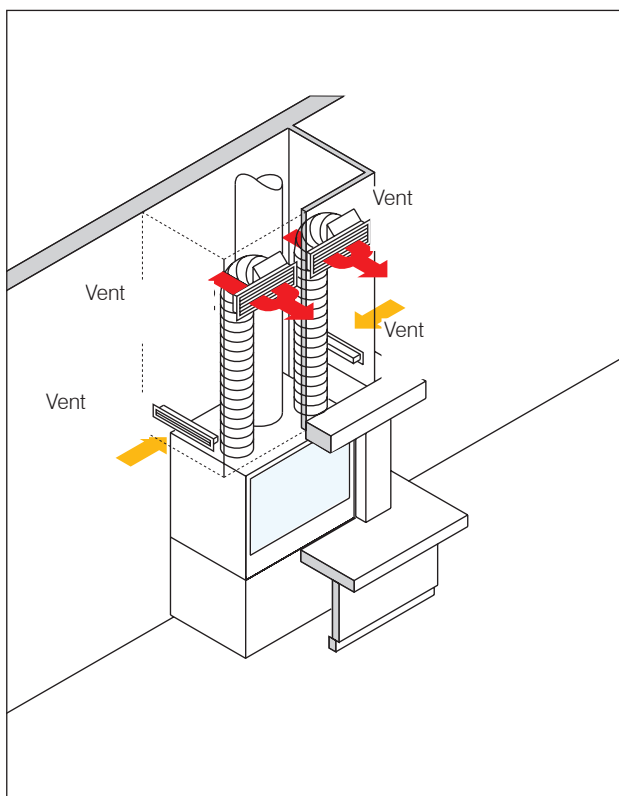
The difference is in the presence or 1 or 2 fans and the relative aluminium pipes.

The kit can be combined with each of the following Edilkamin vents:

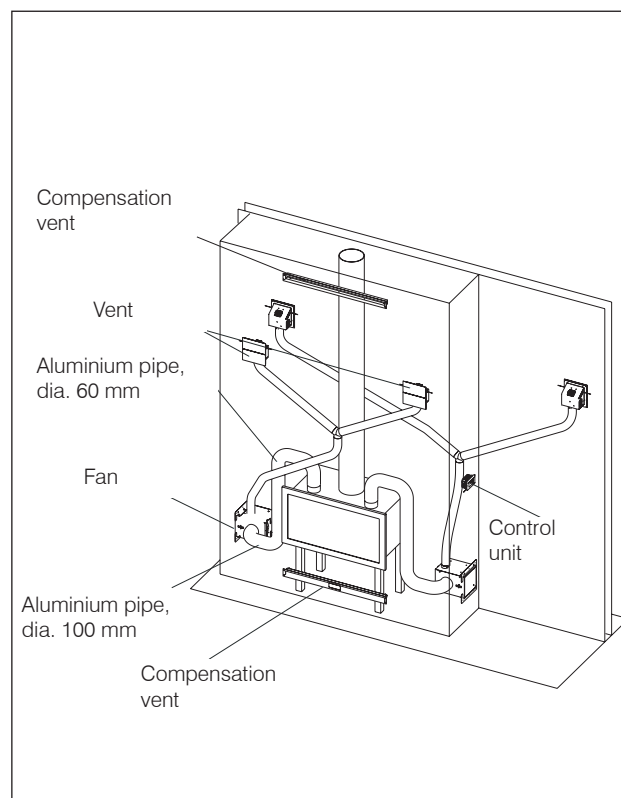
- Split, with lighting
- Bent, with lighting
- Origami
- Sharp

The vents are not included in the Air Kit Diffuser and you can choose the one of the four models available and described which best suits your needs at the retailer.

Kit 1 bis-ex



Kit Air Diffuser Remote- ex



Facings, gather hood and vents

Face the product only after having completed the following steps:

- connection of the product to the smoke outlet and air intake;
- inspection of the product when hot;
- check to verify whether the product is levelled.

The installer must implement all the installation good practices and take all the necessary precautions against overheating and fire.

In particular:

- if a plinth is constructed beneath the hearth level, it must include a suitable slot for the passage of recirculation air from the room;
- if the Air Diffuser Kit is installed, it must be possible to inspect or replace the fans;
- wooden parts must be protected with fireproof panels, which must not be placed against one another but spaced at least 1 cm apart to enable air to flow and prevent heat build-up. The gather hood can be made with fireproof panels, plasterboard or gypsum slabs; during construction, the hot air ducting kit must be mounted as described above.

The interior of the gather hood should be aerated by exploiting the flow of air coming from below (the space between the door and mantel) which convective currents will cause to exit from the grille on top, thus allowing heat recovery and preventing undue overheating.

In addition to that mentioned above, take into account the regulations in force in the relevant country concerning "insulation, finishes, facings and safety recommendations".

Compensation vents

These **MUST** be installed on the front: one beneath and one above the firebox's opening.

The product is supplied with two Label vents.

INLET SURROUND (OPTIONAL)

The inlet surround is an optional accessory.

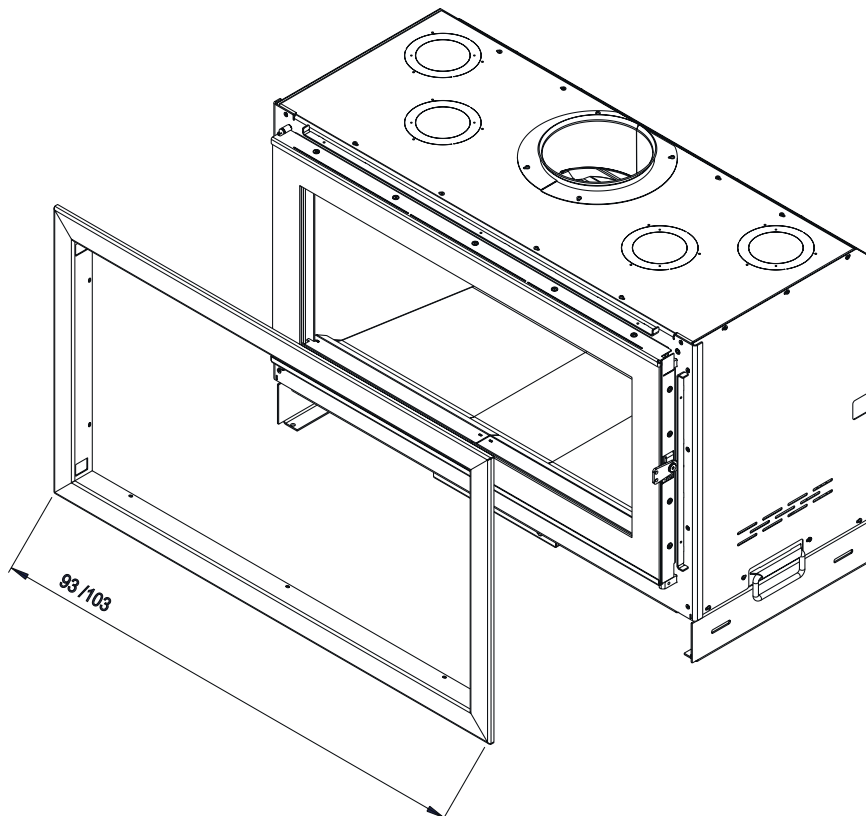
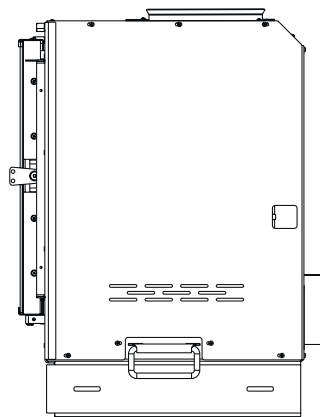
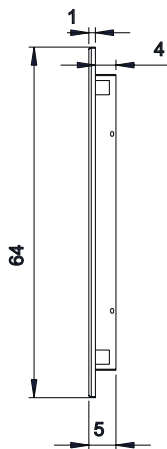
It fills in the gap remaining between the firebox's frame and the cladding itself.

If purchased, it is sold in a single package containing:

- surround
- bolts

To install it, proceed as follows:

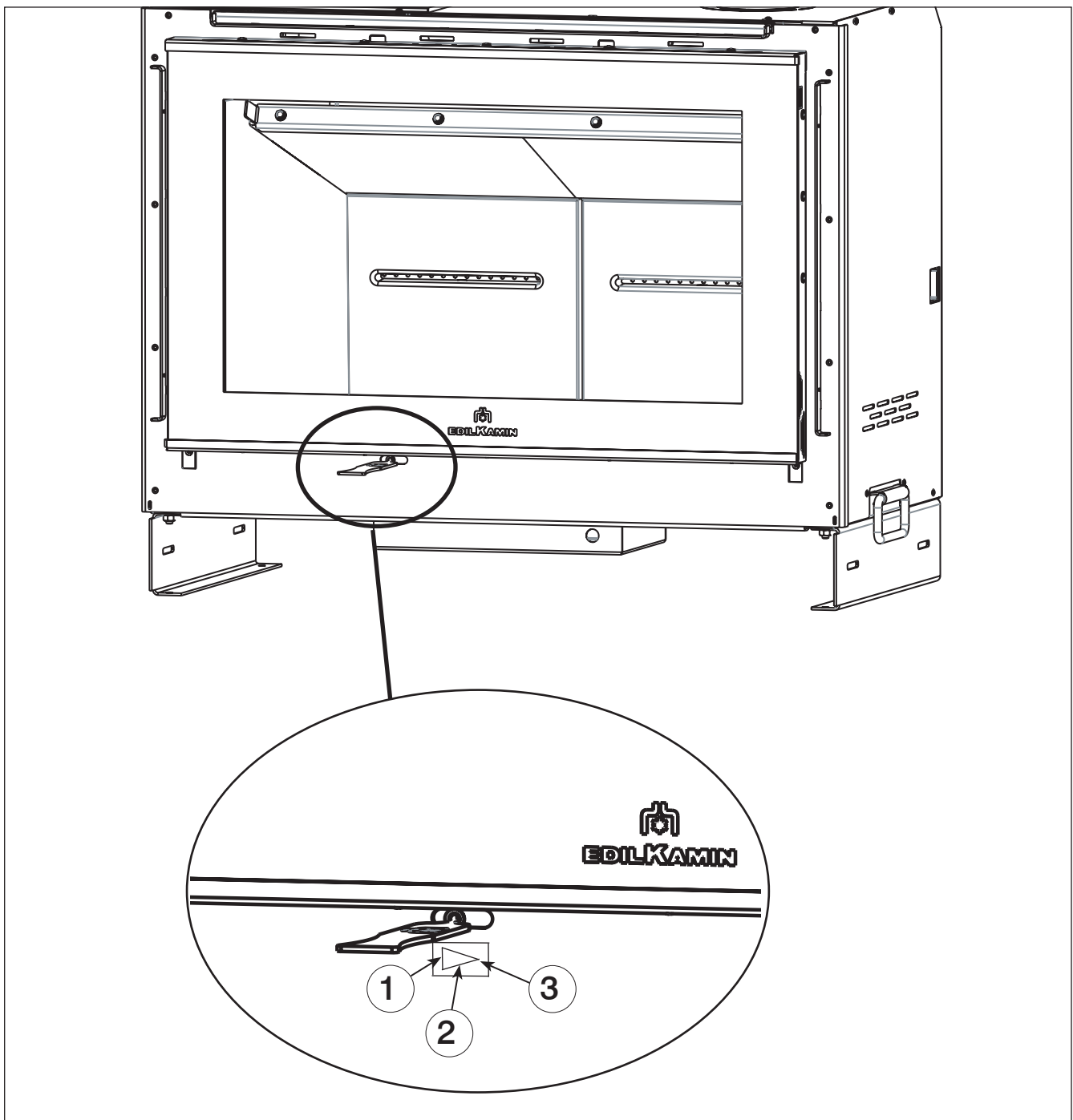
- open the firebox's door;
- secure the inlet surround with the provided bolts



AIR LIMITATION

To increase or decrease the combustion air supply to the chamber, adjust the air regulator with the provided removable lever.

Position	Description	Effect
1	Ignition / maximum power	Primary air sent entirely to the hearth.
2	Intermediate position	for normal combustion
3	Ember maintenance	Post-combustion air only



FUEL

The product was designed to burn wooden logs or sawdust briquettes.

Use dry wood logs (max. humidity 20%) Use logs The use of damp wood would cause the product and the flue to get dirty, the risk of smoke and a lower yield than that declared. Each type of wood has different characteristics that also influence combustion yield. The data outlined on this manual are with wood used during certification.

In general wood can have a heat of combustion up to 4.5 kWh/kg while cut fresh it has heat of combustion around 2 kWh/kg

In general, beech or elm is recommended, or however class A1 wood according to UNI EN ISO 17225-5

Attention to prolonged use of wood with aromatic oils (e.g. eucalyptus). Cast iron parts can deteriorate

Use the recommended quantities of wood:

Overloading causes overheating, resulting in damage:

- possible deformation of the inner parts;
- possible irreversible changes to the colour of the paint on the metal parts for which Edilkamin or the retailer cannot be held liable.

To respect the environment and safety, do NOT burn, among other things: plastic, varnished wood, coal and bark waste. Do not use the product as an incinerator.

Use of these fuels also nullifies the guarantee.

First switch on phases

- Ensure you have read and understood the content of this manual
- Remove all the inflammable parts from the product (manuals, labels, etc.). In particular remove any labels from the glass. If they melt, they would irreversibly damage the glass.

For initial switch on of the fireplace, always use the smallest logs. Use larger wooden logs to raise the fire. Always locate the wood deep in the fireplace, almost in contact with the rear wall, so that even if they slide they won't come in contact with the glass.

There may be a slight smell of paint the first few times it is ignited, however, this will disappear quickly.

Lighting a cold fireplace

1. Check the existing ash bed is not too high. If the ash bed is too high, there is a danger of opening the door of the fireplace to add wood and possible brazier fragments fall out of the fireplace.
2. Position the adjustment lever of the valve in the "total opening" position. The air for combustion will flow intensely to the wood in the fireplace, to quickly reach good combustion.
3. place the wood in the fireplace without excessively squashing it in. Position a firelighter between the wood logs and light. Never use materials such as petrol, alcohol and similar to switch on.
4. At this point, close the door and monitor it for a few minutes. If the fire should extinguish, slowly open the door, re-position another firelighter between the logs and light again.

Lighting a hot fireplace

When should wood be added? When the fuel is almost completely consumed to embers. With the glove supplied, slowly open (to avoid formation of vortexes that can cause smoke to exit) the door. Add the desired wood to the fireplace, locating it on the existing embers (within the quality limits indicated in the technical table).

Product functioning changes with the chimney flue draft and adjustment of the air valve in combustion.

Functioning with initial low draft

To extract air for combustion and discharge the smoke, the fireplace needs a draft to be exerted on the chimney flue.

If the draft is weak, initially light a "starter" fire using small sized lighting material.

Once the correct draft is restored, you can add the fuel. As with all the products, the wood product heats and cools during the various phases. This would lead to normal dilation. Such dilation can cause slight settling noise, which is not a reason for dispute.

Cleaning the glass

You can use specific products to clean the glass (see our Glasskamin pricelist).

Do not spray the product on painted parts or the seals of the door. An alternative to the product is a rag soaked in a bit of white ash and a piece of newspaper. Attention, ensure there are no abrasive elements in the ash that could scratch the glass.



Ceramic glass installed on the products can resist heat up to approx. 750°C and is tested and controlled before and after assembly to check for the presence of cracks, bubbles and blowing.

The glass, despite its high resistance to temperature, is however a fragile element and therefore you are advised to move the door cautiously without banging or forcing it. Glass, since it is not flexible, can break.

Cleaning the external parts

The covering must be clean without using aggressive detergents. Do not wet with cold water when the covering is hot because the thermal shock could cause damage.

Cleaning the chimney flue

This should be carried out before the use season and each time you note a layer of soot and tar has formed inside, a substance that is easily flammable.

Scale, in the presence of high temperatures and sparks, can catch fire with serious consequences both for the chimney flue and for the home. You are therefore advised to clean at least once a year.

Check the local regulations.

Removing ash

Remove the ash with a scoop or ash cleaner. Place the removed ash exclusively in non-combustible containers; bear in mind that the residual embers may still re-ignite 24 hours after the last combustion.

No tray for removing or emptying present.

IN THE EVENT OF PROBLEMS**1) In case of smoke leaking from the fireplace hearth, check if:**

Installation is correct (smoke channel, chimney flue, stack, air intake). The wood used is dry, the door was opened too quickly

2) In the event of uncontrolled combustion, check if:

The seals of the fireplace are intact:
The door of the fireplace is closed properly.

3) If the glass gets dirty quickly, check if: The wood used is dry.

However, consider that after a few hours of work, it is normal for a light layer of soot to form on the glass.

4) If the chimney flue catches fire or you need to suddenly extinguish the fire lighting in the fireplace:

- if possible, in safe conditions, remove the ash and brazier using tools and only touch metal containers with fireproof gloves.
- in the event of a fire, ask the authorities for help

5) In case of odours, check if:

If first switch on: in this case a paint smell is normal.
If the product is dirty or dusty

If you cannot solve the problem, contact the retailer or, in countries where present, the authorised Technical Support Centre. The guarantee is only valid if the product defect is proven.

NOTES ON REFRACTORY MATERIAL

The inner refractory material was designed to resist normal use.

Its cleaning is ensured by good combustion. The main damage to refractory material comes from:

- accidental knocks
- use of firelighters which are not ecological loading
- wood beyond the recommended amount
- use of fuel other than that recommended

Edilkamin or the retailer cannot be held liable for damage caused as described above

DISPOSAL

At the end of its service life, dispose of the product as required by regulations.



www.edilkamin.com

cod. 941992-GB 03.19/A