



HAAS+SOHN

Inzell easy 350.15

Geräteblatt
Kaminofen

DE

Fiche technique
Poêle à bois

FR

Scheda tecnica
Stufa camino

IT

Equipment sheet
Fireplace stove

GB

Tehnički list
Kamin

HR

Tehnični list
Kamin

SLO

Contents

1. Technical data Inzell easy	1
1.1. Suitable fuels, quantity of charge	1
2. Installation dimensions of the fireplace	2
3. Spare parts	3
3.1. Exploded view	3
3.2. List A1	5
3.3. List A2, A3,A4	6
4. Reassembly of the smoke pipe stub	8

1. Technical data Inzell easy

	Logs of wood	
Total heat output	6,2 kW	
Nominal heat output	6 kW	
Efficiency	80 %	
Average CO-content, referred to 13% O ₂	1000 mg/Nm ³	713 mg/MJ
Average powder content, referred to 13% O ₂	10 mg/Nm ³	6 mg/MJ
Average NOx-content, referred to 13% O ₂	103 mg/Nm ³	68 mg/MJ
Triple value of combustion products		
Mass flow of combustion products referred to the nominal heat output	5,4 g/s	
Temperature of combustion products on the output stub	309 °C	
Min transport pressure at nominal heat output	12 Pa	

1.1. Suitable fuels, quantity of charge

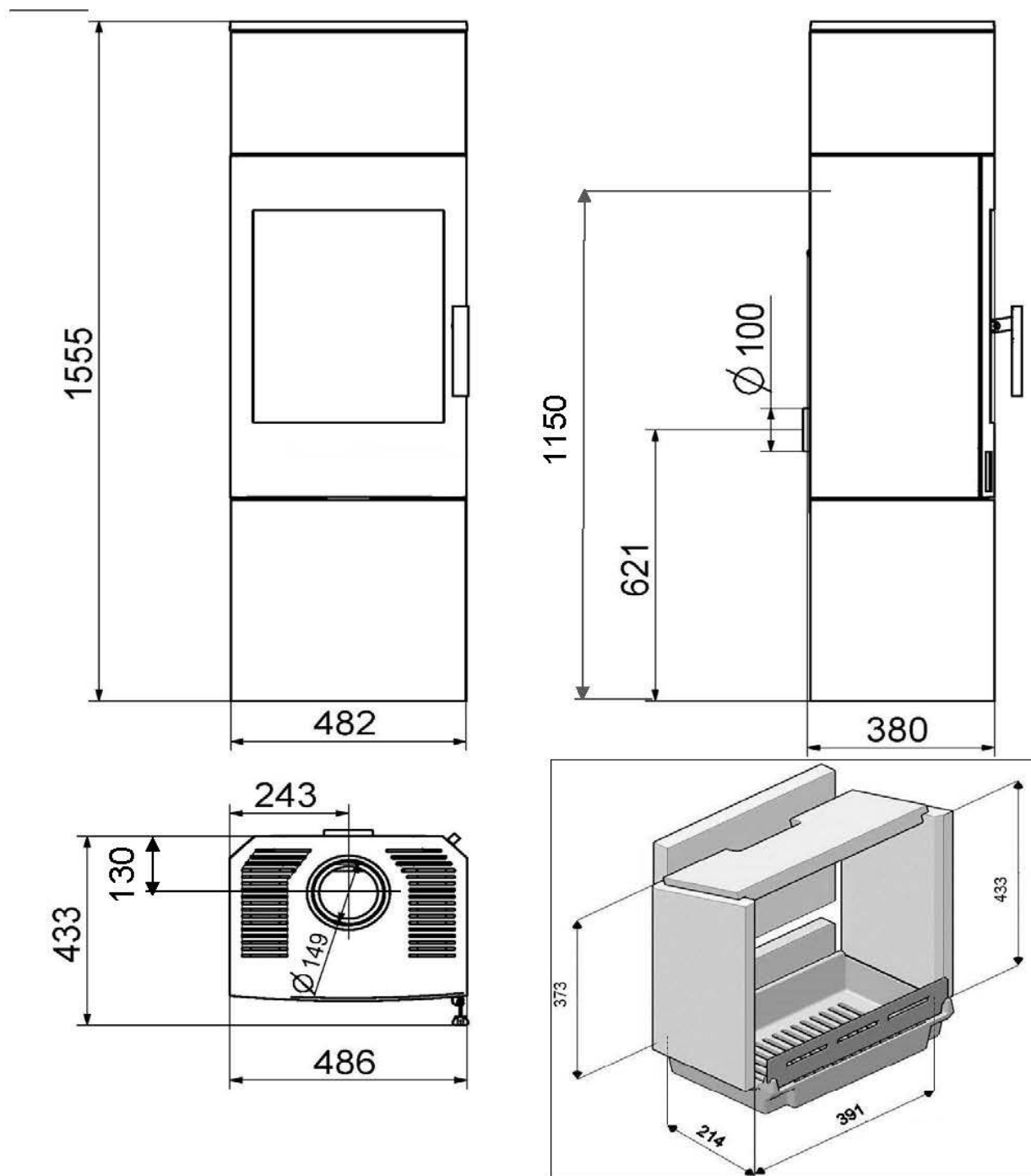
Fuel:	Max qty per charge
Logs of wood:	2 logs (max. 1,5 kg)
Length of logs:	Max. 33 cm
Wooden briquette (DIN51731):	1 wooden briquette (max. 1,4 kg)
Brown coal briquette:	2–3 brown coal briquette (max. 2 kg)



Note

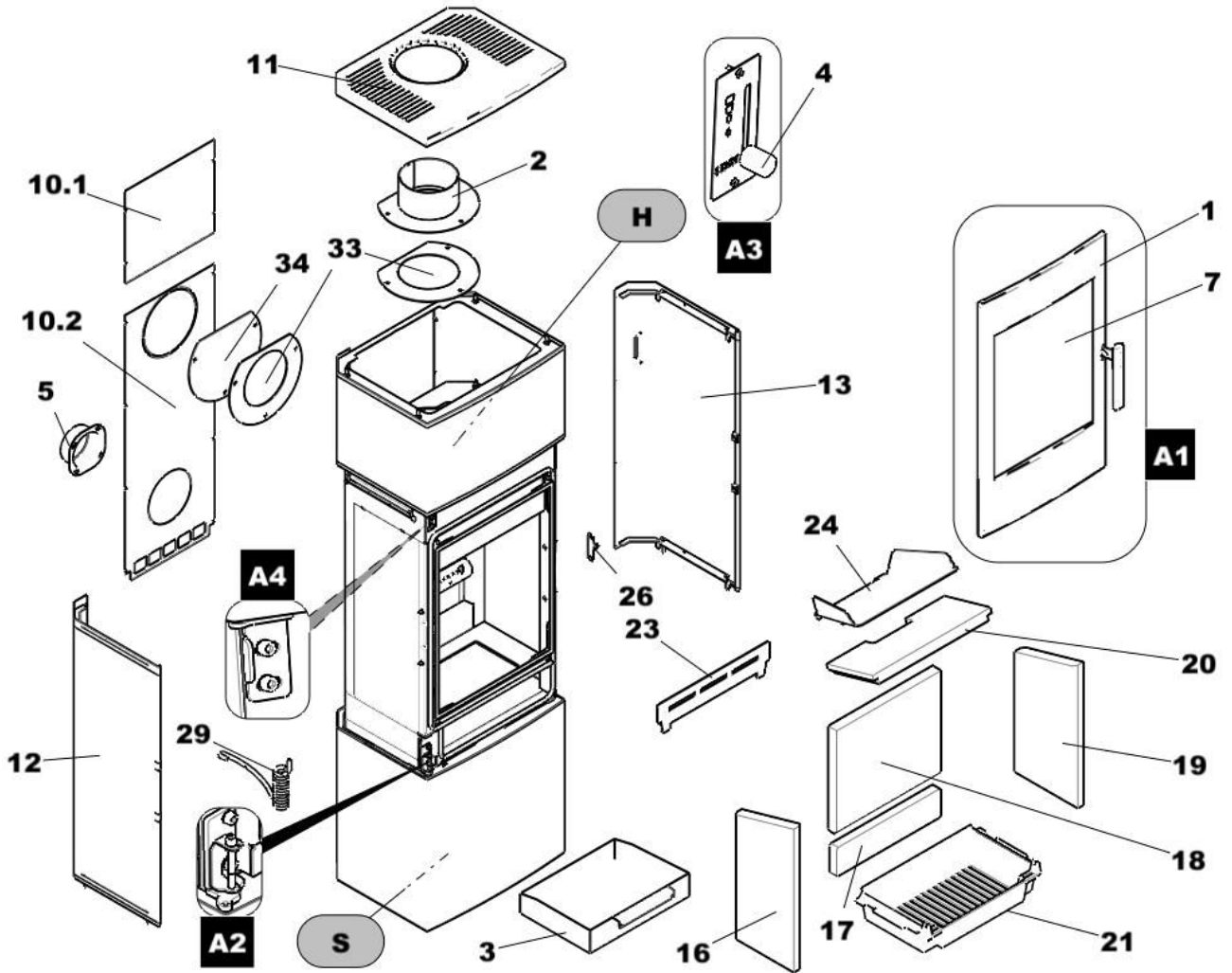
If logs of wood are used as fuel, only logs that have been stored for at least two years and whose rest humidity is under 17% can be used.

2. Installation dimensions of the fireplace



3. Spare parts

3.1. Exploded view

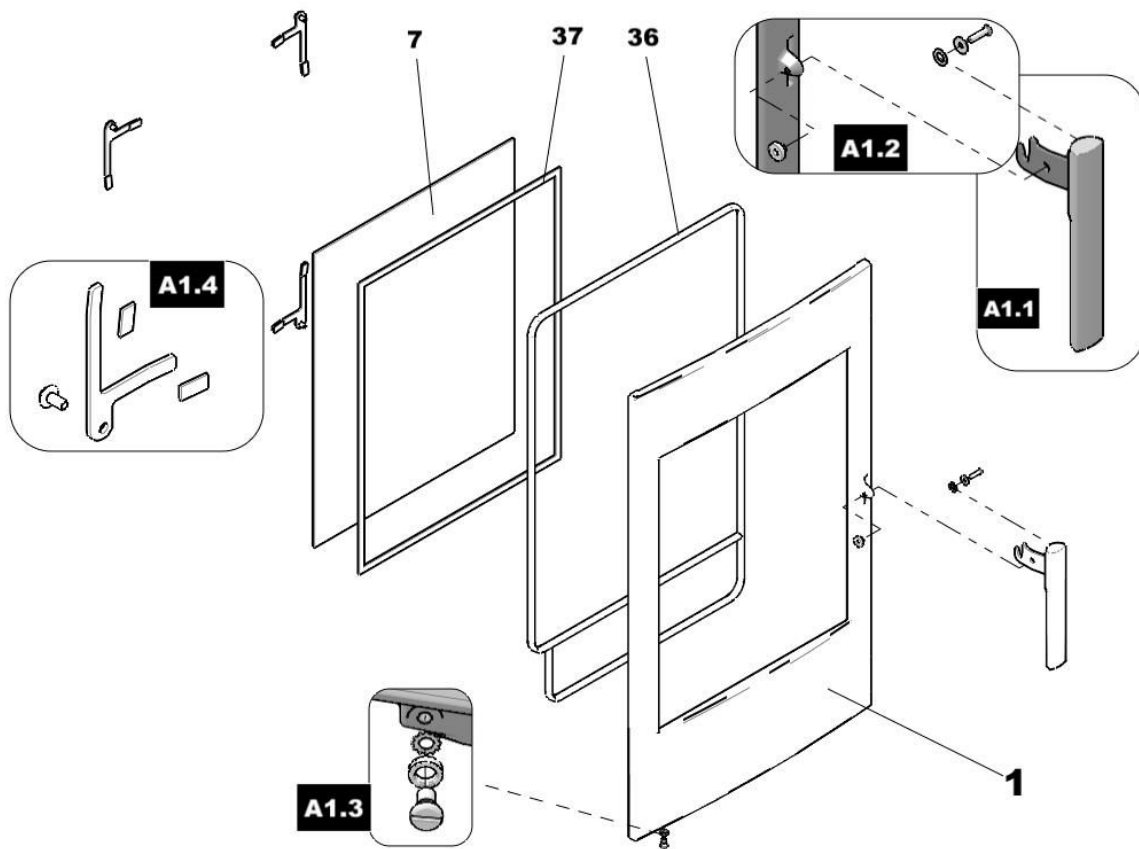


Spare parts

GB

Pos.	Description	Number
1	Door of furnace chamber/pearly-black	0335015005354
2	Smoke pipe stub /pearly-black	0335015005950
3	Cinder box /pearly-black	0335015005650
4	Easycontrol — control knob PTFE	0335115006626
5	Connection for outdoor air (Ø100)	7418500048200
7	Door glass (519x408)	0335015005301
10.1	Back panel 1	0335015005033
10.2	Back panel 2	0335015005031
11	Roof /pearly-black	0335015006189
12	Left side/pearly-back	0335015006154
13	Right side /pearly-black	0335015006159
16	Chamot left 30x212x433	0335015005503
17	Chamot back bottom 30x87x365	0335015005505
18	Chamot back top 30x315x365	0335015005502
19	Chamot right 30x212x433	0335015005504
20	Air baffle vermikulit 30x412x167	0335015005701
21	Grate/black	0335015005597
23	Glass guard /pearly-black	0335015005097
24	Top fuel baffle black	0335015005752
26	Door lock plate pearly-black	0335015005345
29	Door spring	0335015005384
33	Fuel pipe stub seal	0335015005060
34	End plate /pearly-black	0335015005098
35	Cover /pearly-black	0335015006188
A1	Door of the furnace chamber (complete) 350/351/352.15	0335015005300
A2	Bottom hinge, complete, pearly-black	0335015005380
A4	Top hinge, complete, pearly-black	0335015005395
A3	Control panel	0335015005161
S	Bottom beige	0335015006268
S2	Bottom wood storage compartment black	0335015006289
S3	Bottom with door black	0335015006330
S4	Shelf black	0335017700000
S5	Door for Bottom black	0335015006382
S6	Hinge black	0335015006389
S7	Magnetic lock	0335015005398
H	Top beige	0335015006298
H	Top black	0335015006299

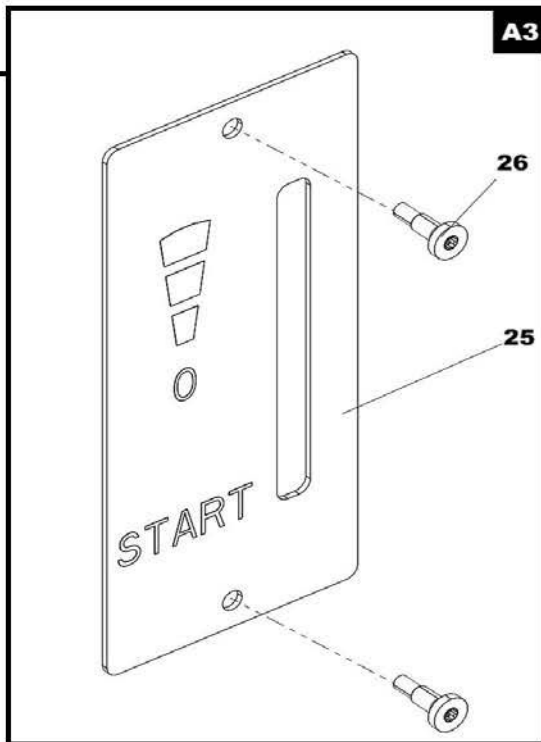
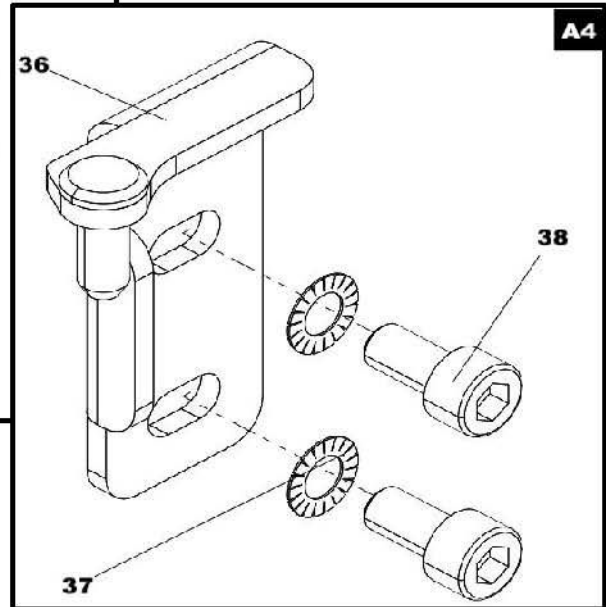
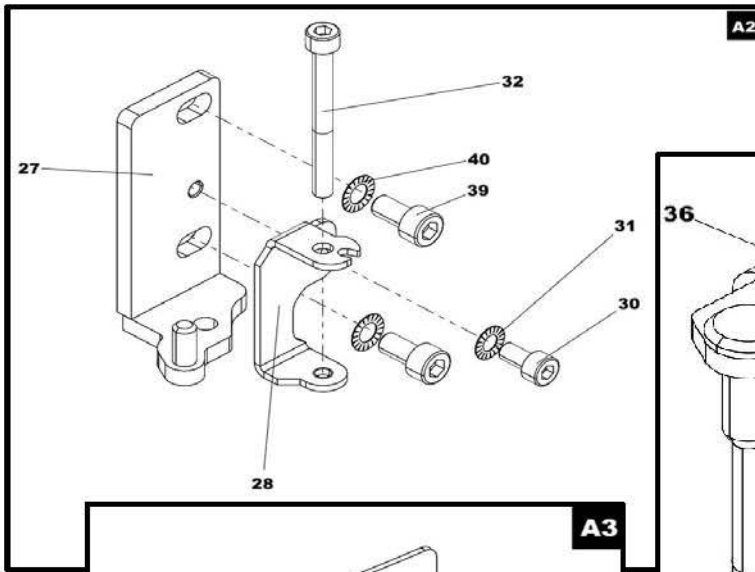
3.2. List A1



Pos	Description	Qty, pcs	Number
Aufstellung A1			
A1.1	Door handle with handle support	1 pc	0335015005350
A1.2	Door handle screws - set	1 pc	0335015005351
A1.3	Door spring support - set	1 pc	0335015005319
A1.4	Sheet of glass support – set	4 pc	0335015005397
—	Seal for glass support 10x2 mm (600 mm)	1m	0040102105000
1	Door of furnace chamber/pearly-black	1 pc	0335015005354
7	Door glass (519x408)	1 pc	0335015005301
36	Door seal 11 mm (2700 mm)	1 m	0040300110005
37	Door glass seal 8x4 mm (1900 mm)	1 m	0040308040005

3.3. List A2, A3,A4

Spare parts

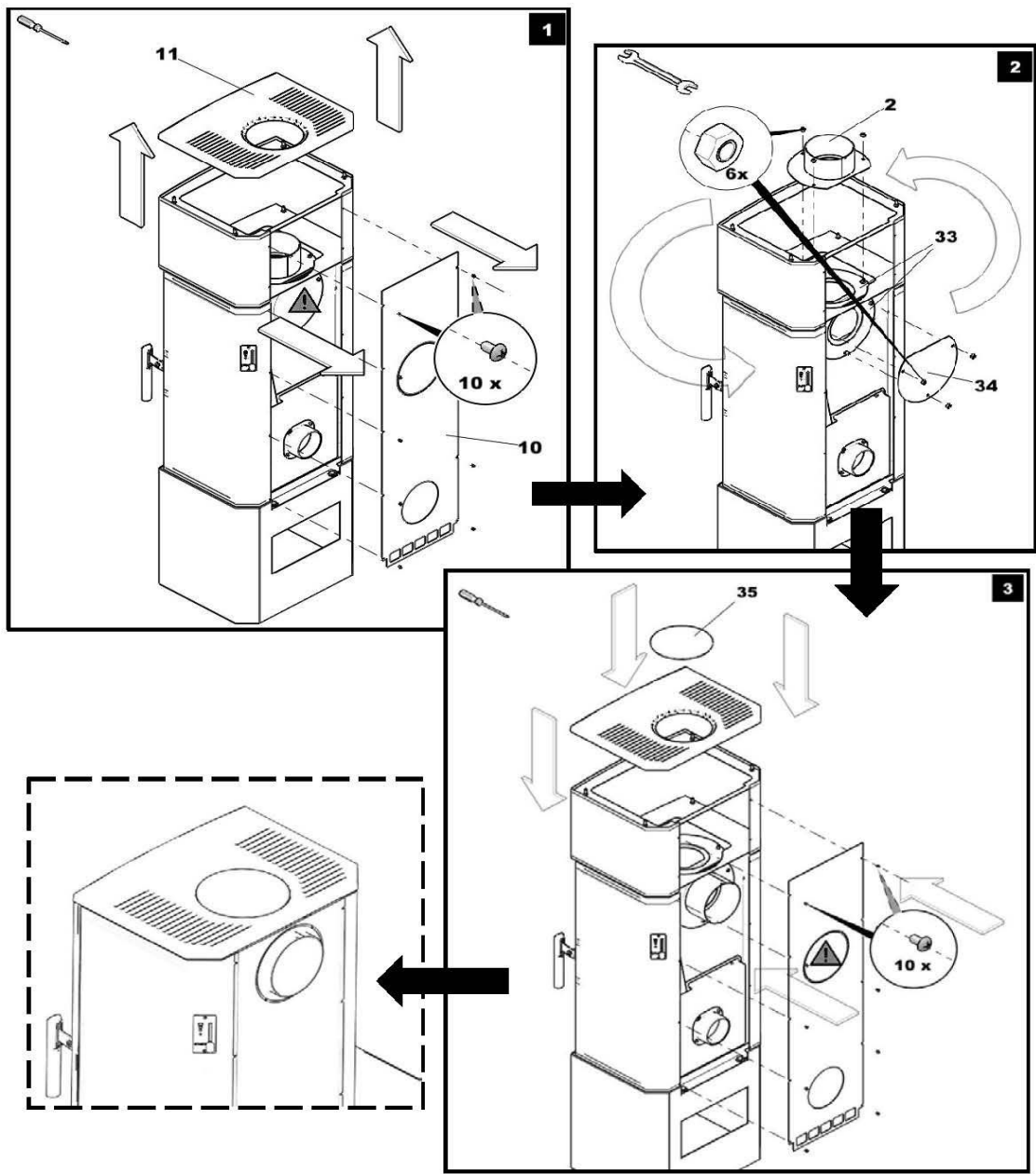


GB

Pos	Description
List A2	
27	Bottom hinge sheet, pearly-black
28	Spring support sheet
30	Instrument-head screw M5x10 DIN 7380
31	Washer with inner tothing M5 DIN 6797 I
32	Screw M5x50 DIN 912 black
39	Screw M6x20 DIN 912 black
40	Washer with inner tothing M6 DIN 6797 I
List A3	
25	Control panel
26	Screw M3x10 BN 9524
List A4	
36	Top hinge sheet, pearly-black
37	Washer with inner tothing M6 DIN 6797 I
38	Screw M6x12 DIN 912 black

4. Reassembly of the smoke pipe stub

Reassembly of the smoke pipe stub



GB

Pos	Description
2	Smoke pipe stub /pearly-black
10	Back panel
11	Roof /pearly-black
33	Smoke pipe stub seal
34	End plate /pearly-black
35	Cover /pearly-black

