

PELLET STOVE

LILLE 8 *Up*



For all updates visit www.edilkamin.com

The original language of this edition is Italian

2

The undersigned company, EDILKAMIN S.p.A., with registered office in Via P. Moscati 8 - 20154 Milan (Italy) - Italian Tax ID VAT NO. 00192220192

Hereby declares, under its sole responsibility, that:
The pellet stoves mentioned below comply with EU Regulation 305/2011 and the harmonised EU standard EN 14785:2006

PELLET STOVES, bearing the EDILKAMIN brand, called

LILLE 8

SERIAL NO.: Rating plate reference

Lille 8 : Performance declaration: (DoP - EK no. 157)

Moreover, the company hereby declares that:
the LILLE 8 wood pellet stoves satisfy the requirements of the following European directives:
2014/35/EC - Low Voltage Directive
2014/30/EC - Electromagnetic Compatibility Directive

Up is a commercial suffix to indicate The Mind

Dear Sir/Madam

We thank you for and congratulate you on choosing our product. Before using it, we would ask you to read this manual carefully, so that you can make the most of all its functions in total safety.

This manual is an integral part of the product. We ask you to keep it for the entire lifetime of the product. If you lose it, you can request a copy from your dealer or download it from www.edilkamin.com.

Readers of the manual

This manual is addressed to:

- those who use the product at home ("USER");
- the technician who will install the product ("INSTALLER")

The target person of each page is indicated in a band at the bottom of the page (USER or INSTALLER).

General information

After unpacking the product, check the condition and completeness of the contents.

In the event of error, immediately contact the retailer where the purchase was made, providing him with a copy of the warranty booklet and sales receipt.

The appliance must be installed and operated in compliance with local and national law and European regulations. For the installation, and for anything not specifically indicated in the manual, observe local regulations.

The diagrams provided in this manual are for illustration purposes only: they do not always strictly refer to your specific model, and are not binding in any way.

Product identification and warranty.

The product is uniquely identified by a number, the "counterfoil", which is indicated on the warranty certificate.

Please keep:

- the warranty certificate accompanying the product
- the purchase receipt given to you by the retailer
- the declaration of conformity given to you by the installer.

The warranty conditions are given in the warranty certificate accompanying the product.

The warranty, however, covers only demonstrable manufacturing defects and not, for instance, problems resulting from improper installation or calibration.

CE marking

The product's CE marking plate is located on the back.

MEANING OF SYMBOLS

In some parts of the manual the following symbols are used:



PLEASE NOTE:

carefully read and understand the message in question, since failure to follow the instructions in it could cause serious damage to the product and put the safety of those using it at risk.



INFORMATION:

failure to comply with these requirements will compromise product use.



OPERATING SEQUENCE:

follow the instructions for the operations described.

- The product is not designed for use by people, including children, with limited physical, sensory and mental abilities.
- The appliance is not designed for cooking purposes.
- The appliance is designed to burn UNI EN ISO 17225-2 category A1 wood pellets, in the amounts and manner described in this manual.
- The appliance is designed for indoor use and in areas with normal humidity conditions.
- Keep the product in a dry place out of the weather.
- For the legal and company warranties, refer to the warranty certificate inside the product: specifically, neither Edilkamin nor the retailer are liable for damage resulting from incorrect installation or maintenance.

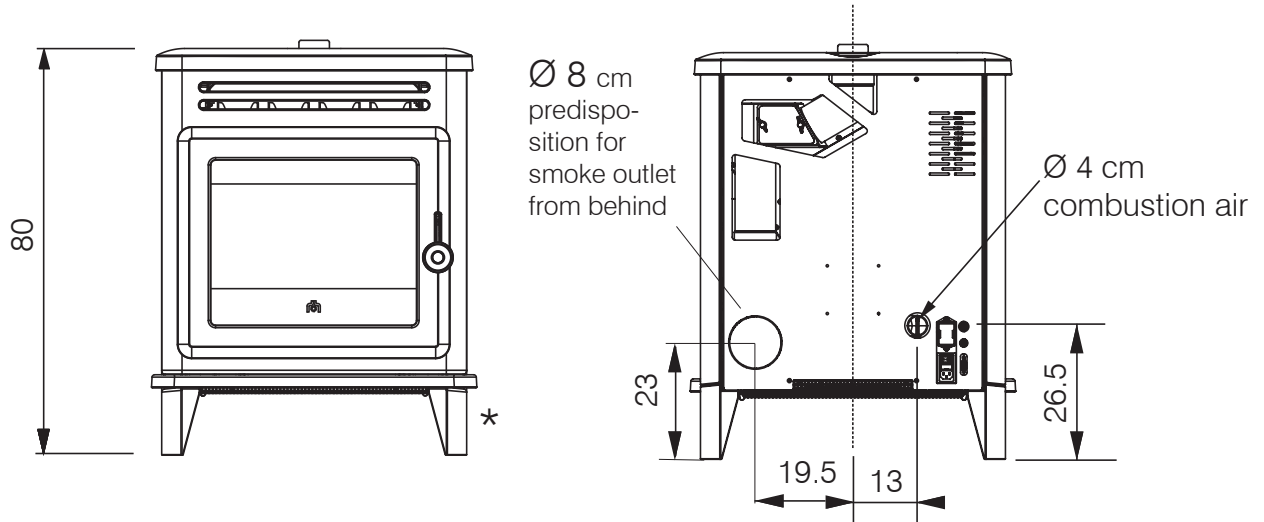
Safety risks may be caused by:

- Installation in non-suitable settings, in particular those that are subject to fire risks. **DO NOT INSTALL THE PRODUCT IN AREAS SUBJECT TO THE RISK OF FIRE.**
- Contact with fire and hot parts (e.g. glass panel and pipes). **DO NOT TOUCH HOT PARTS** and, when the stove is switched off and still hot, always wear the glove supplied.
- Contact with live electrical equipment (internal). **DO NOT ACCESS THE INTERNAL ELECTRICAL EQUIPMENT WHILE THE APPLIANCE IS POWERED ON.** Electrocutation hazard.
- Use of improper ignition aids (e.g. alcohol). **DO NOT IGNITE OR BOOST THE FLAME WITH FLUID SPRAYS OR A FLAME TORCH.** Serious risk of burns, damage and injury.
- Use of fuel other than wood pellets. **DO NOT BURN WASTE MATTER, PLASTIC OR MATERIALS OTHER THAN WOOD PELLETS IN THE COMBUSTION CHAMBER.** The product may become soiled, the flue may catch fire, and environmental damage may ensue.
- Cleaning the combustion chamber when hot. **DO NOT CLEAN WITH A VACUUM CLEANER WHEN HOT.** You could damage the vacuum-cleaner and risk the emission of smoke in the room.
- Cleaning the smoke duct with cleaning products. **DO NOT CLEAN THE PRODUCT WITH FLAMMABLE PRODUCTS.** Risk of fire or blowback.

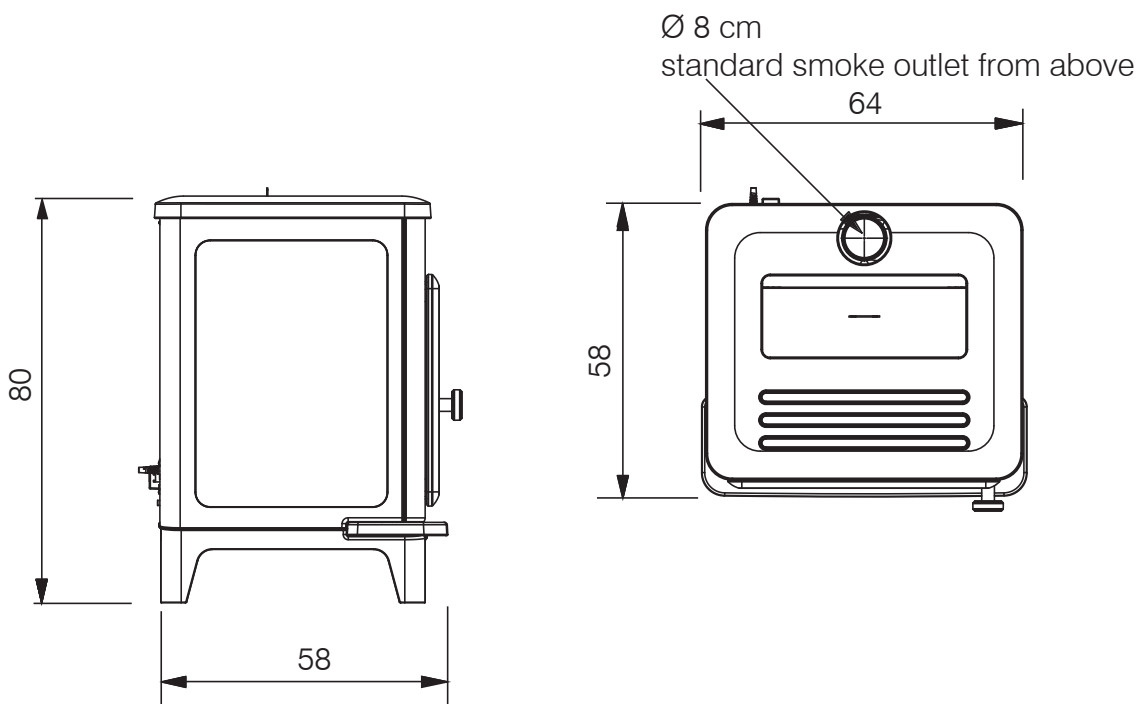
- Cleaning the glass pane while hot or with unsuitable cleaning products. **DO NOT CLEAN HOT GLASS WITH WATER. ONLY USE RECOMMENDED GLASS CLEANING PRODUCTS.** Risk of cracking and permanent, irreparable damage to the glass.
- The storage of flammable materials at a distance which is less than the safe distances listed in this manual. **DO NOT PLACE LAUNDRY ON THE APPLIANCE. DO NOT PLACE DRYING RACKS WITHIN THE SAFETY CLEARANCE.** Keep flammable fluids away from the appliance. Fire hazard.
- Blocking the aeration vents and air intakes in the room. **DO NOT BLOCK THE AERATION VENTS OR FLUE.** Risk of smoke returning into the room with consequent damage and injury.
- Use of the product as a support or ladder. **DO NOT CLIMB ONTO THE PRODUCT OR USE IT AS A SUPPORT.** Risk of damage and injury.
- Use of the stove with the combustion chamber open. **DO NOT USE THE PRODUCT WITH ITS DOOR OPEN.**
- Incandescent material may come out from the open door. **DO NOT** throw incandescent material outside the appliance. Fire hazard.
- Use of water in case of fire. **CALL THE AUTHORITIES** if a fire breaks out.
- If you have doubts, please do not take any action, but contact the retailer or the installer.

For reasons of safety, read the user instructions included in this manual.

DIMENSIONS (cm)



* removable feet: stove height without feet 70 cm



TECHNICAL CHARACTERISTICS in accordance with EN 14785

	LILLE 8		
	Nominal power	Reduced power	
Available power	8,1	2,5	kW
Efficiency	90,3	91,5	%
CO emissions at 13% O ₂	0,011	0,026	%
Smoke temperature	158	85	°C
Fuel consumption	1,8	0,5	kg/h
Tank capacity			kg
Draw	12	10	Pa
Autonomy	11	40	hours
Heatable volume *	210		m ³
Smoke duct diameter (male behind, female above)		80	
Air intake diameter (male)		40	
Weight including packaging		180	

*A calorific value of 4.8 kW/Kg has been used to calculate consumption

* The heatable volume is calculated based on the assumption of a heating demand of 33 Kcal/m³ hour.

TECHNICAL DATA FOR SIZING THE FLUE

which must in any case satisfy the requirements of this sheet and the installation instructions for the product

	LILLE 8		
Smoke temperature at outlet	185		°C
Minimum draw	0,01		Pa
Smoke flow rate	5,8		Rps

ELECTRICAL SPECIFICATIONS

Power supply	230 V AC +/- 10% 50 Hz
Mean absorbed power	50 - 80 W
Power absorption during ignition	300 W
Remote control frequency (provided)	2.4 GHz
Protection rating	Fuse 4 AT 250 V AC 5x20

The above data are for guidance only and were measured during certification by a notified body.

EDILKAMIN s.p.a. reserves the right to modify the product without notification in the interests of improvement.

PREPARATION AND UNPACKING

The packaging materials are neither toxic nor noxious and do not require special disposal.

The user is responsible for storing, disposing of and recycling them in a regulatory fashion.



Always move the stove vertically with suitable equipment and in observance of safety regulations.

Do not turn the package over, and handle all parts requiring installation with care.

HOW TO REDUCE THE WEIGHT OF THE PRODUCT FOR HANDLING

To reduce the weight of the product for handling you can remove:

top and sides

Operations are described from points 1 to 5 of the paragraph "Removing the feet".

Important: make sure you reposition correctly.

We recommend that the operation is carried out by qualified personnel.



Do not drag the appliance with the rubber adjustable feet lowered: they could break

PACKAGING

The delivery consists of two packages:

- one (1) containing the structure of the stove with its side panels installed, and a bag of small parts.

In the stove package, there is:

- remote control,
- warranty certificate,
- glove,
- this manual,
- power cable.

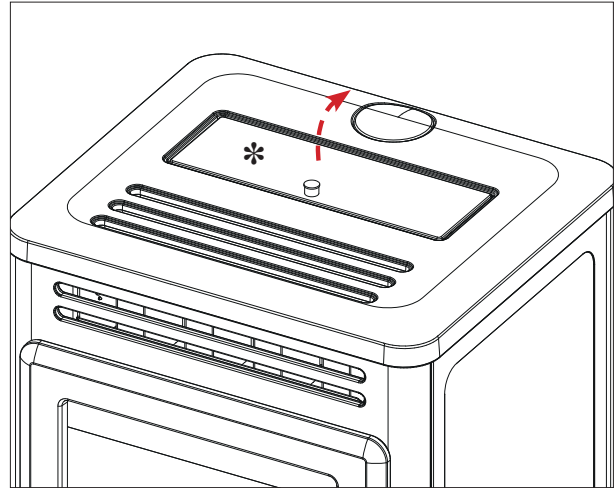
HOW TO REMOVE STOVE FROM THE PALLET

Remove the stove from the pallet by removing the brackets screwed on the rear

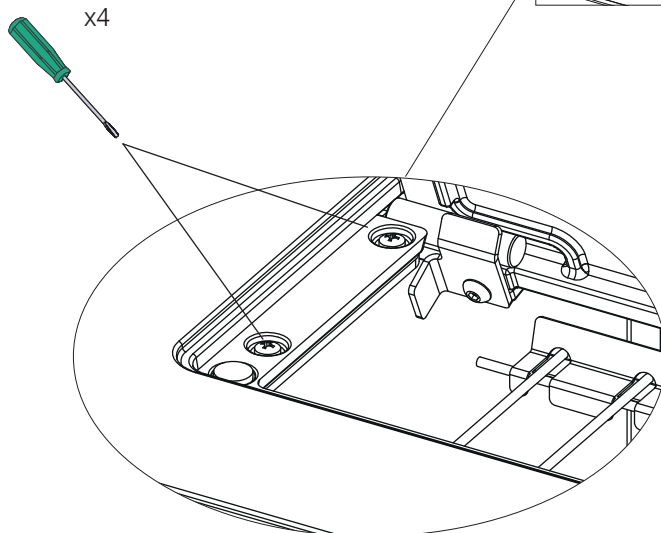
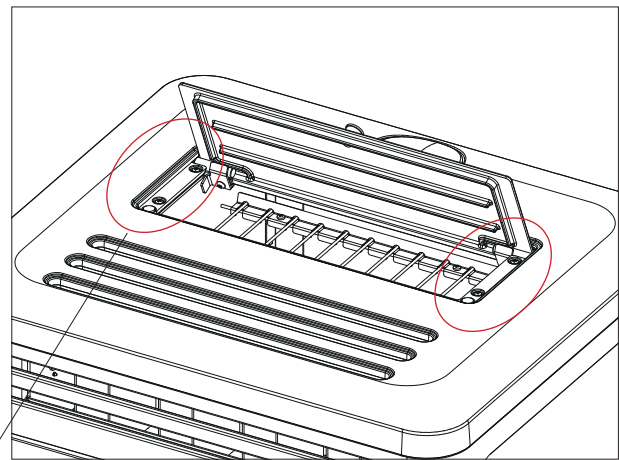
At the base of the product there are four removable feet which can be removed to lower the product. The feet on each side consist of a single element which will be called "two feet assembly" (A) from now on

Proceed as follows to remove them. Each operation is shown in the figure alongside.

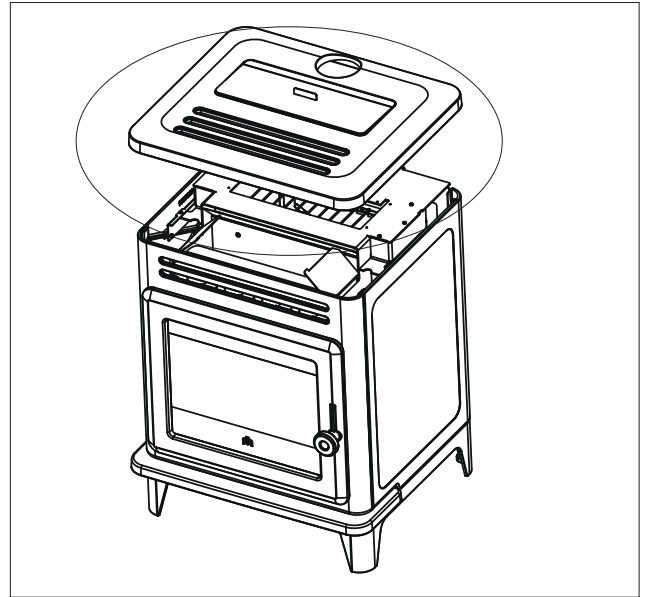
1. Open the pellet tank (*) by lifting the lid with the handle on top.



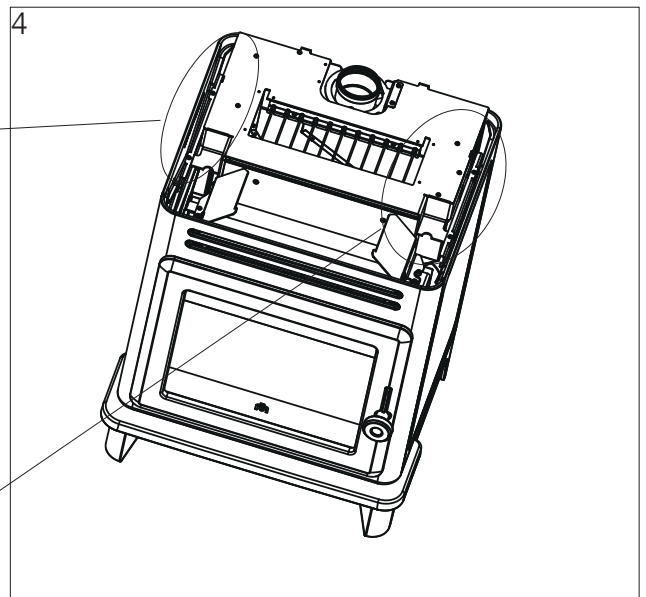
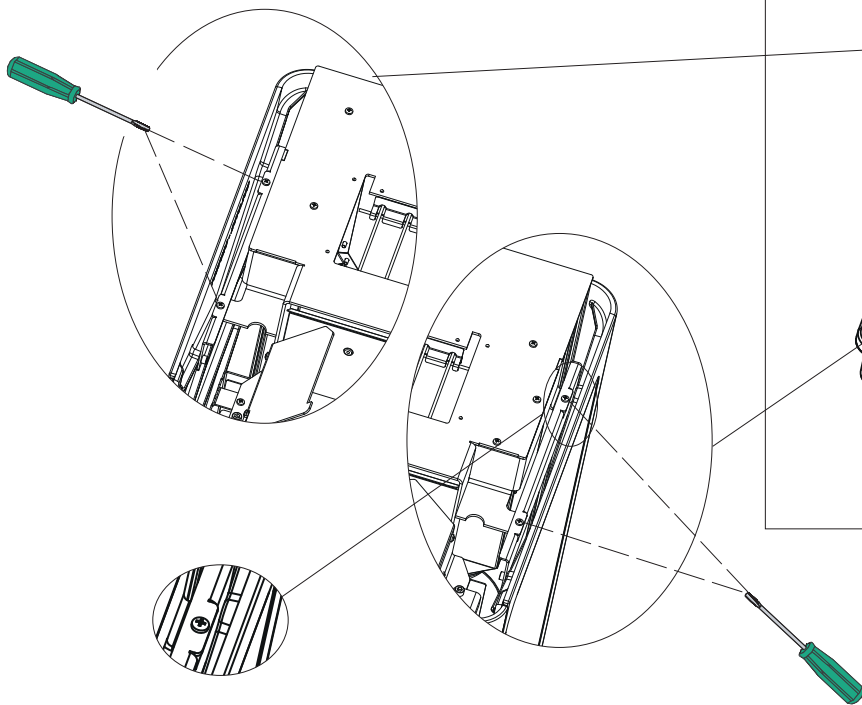
2. Undo the screws of the pellet loading lid to remove the top



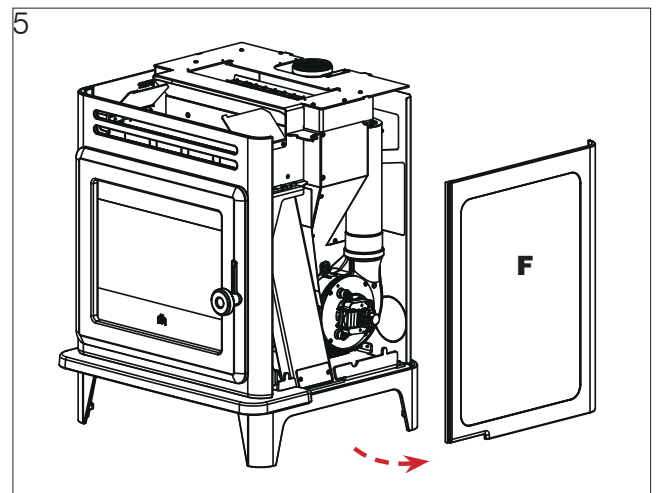
3. Remove the top and the pellet loading lid



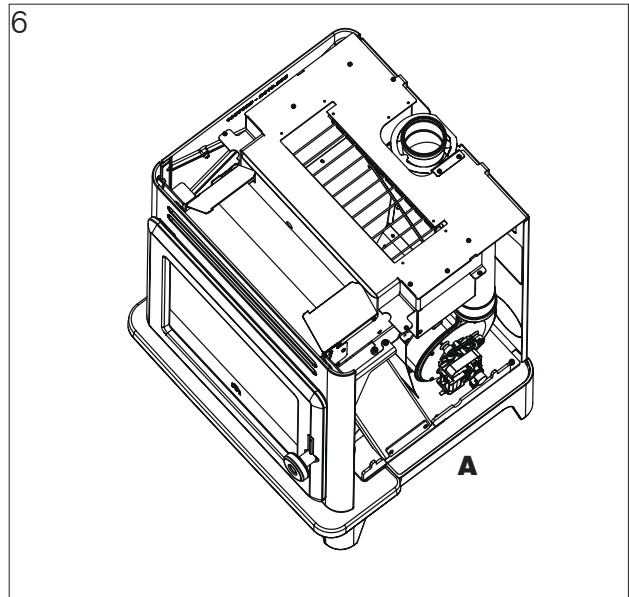
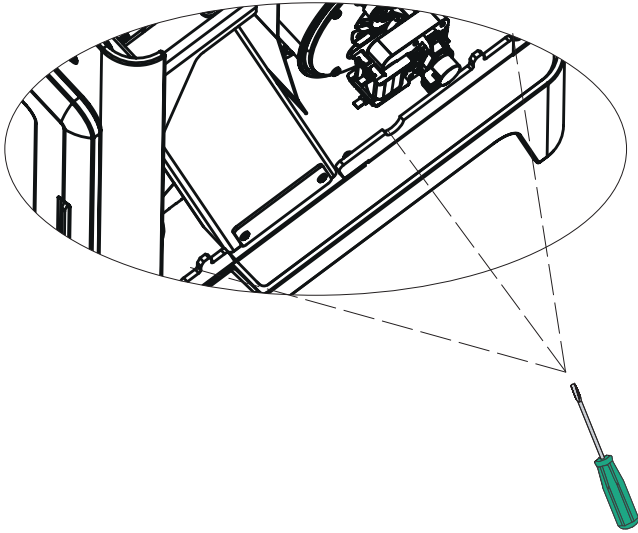
4. Undo the two screws on each side on the brackets underneath the top



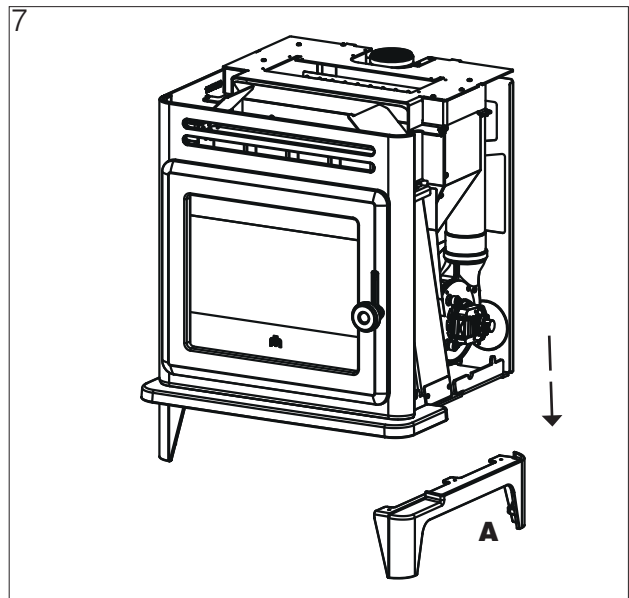
5. Slide the sides off (F)



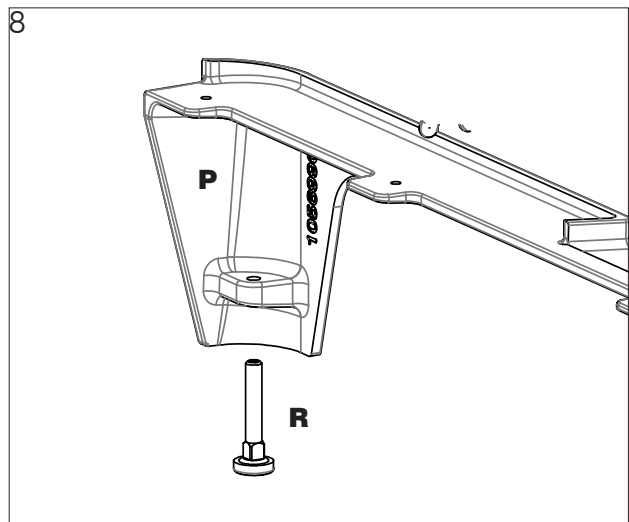
6. Undo three screws per side of the feet assembly



7. Remove the feet assembly from each side (A)



8. Remove the adjustable feet (R) from the cast iron feet (P) to use them underneath the stove for levelling



9. Refit sides and top.
When refitting the sides, take care to snap them back in their correct position

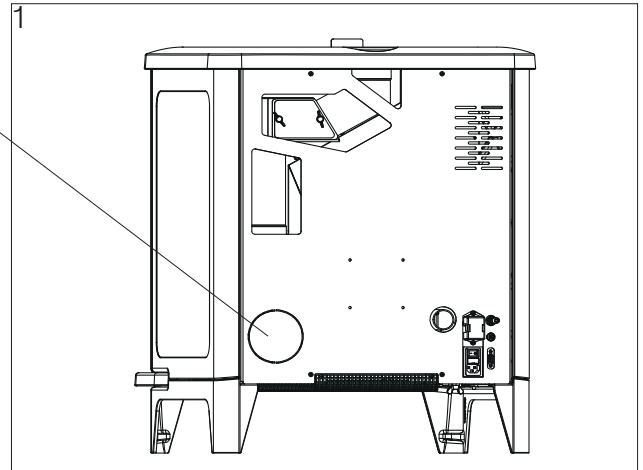
SMOKE OUTLET

The stove can have its smoke outlet pipe connected to the top or the rear.

The stove is delivered with the smoke outlet pipe on the top.

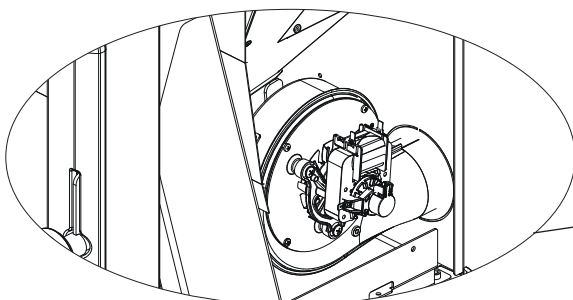
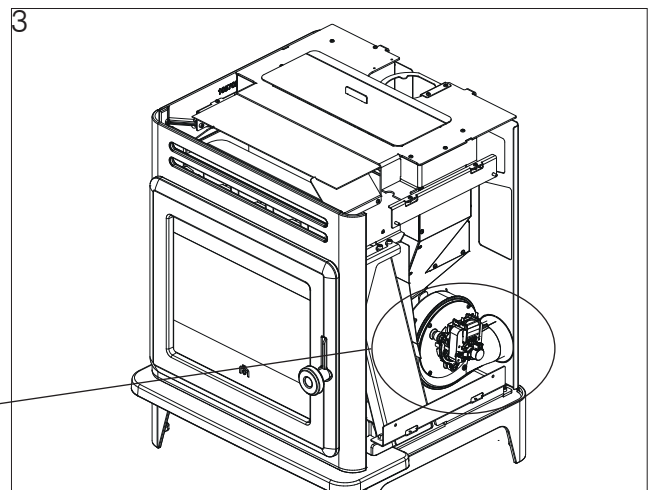
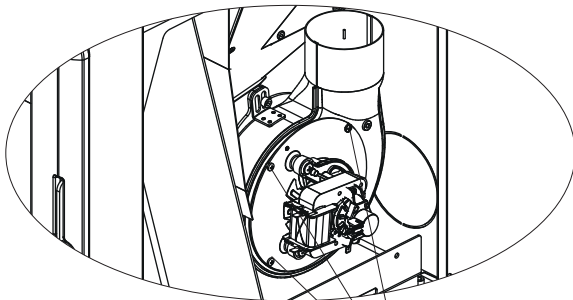
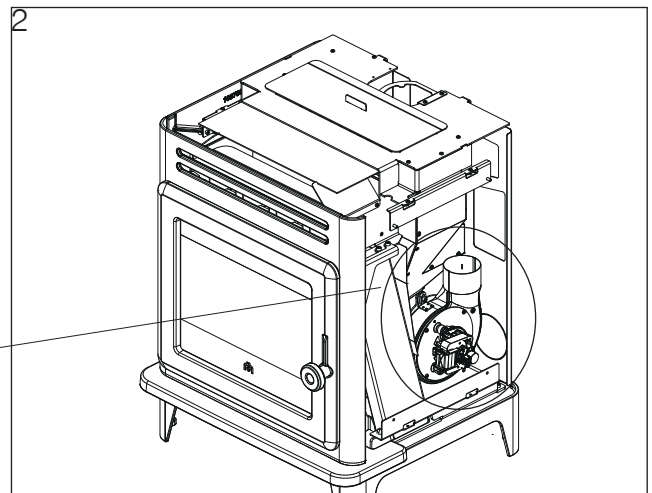
To operate on the rear smoke outlet (**only with the electrical power disconnected**) proceed as follows.

1. remove the pre-cut diaphragm on the rear



2. remove the right side looking at the stove frontally (see points from 1 to 5 of the paragraph "Removing the feet")

3. Disconnect the cables of the smoke extractor from the logic board, unscrew the smoke extractor and direct it towards the rear of the unit (check that the gasket is intact). Screw it back and reconnect the cables to the logic board.



4. refit the sides.

Use the metal cover provided with the product to close off the smoke outlet on the top.

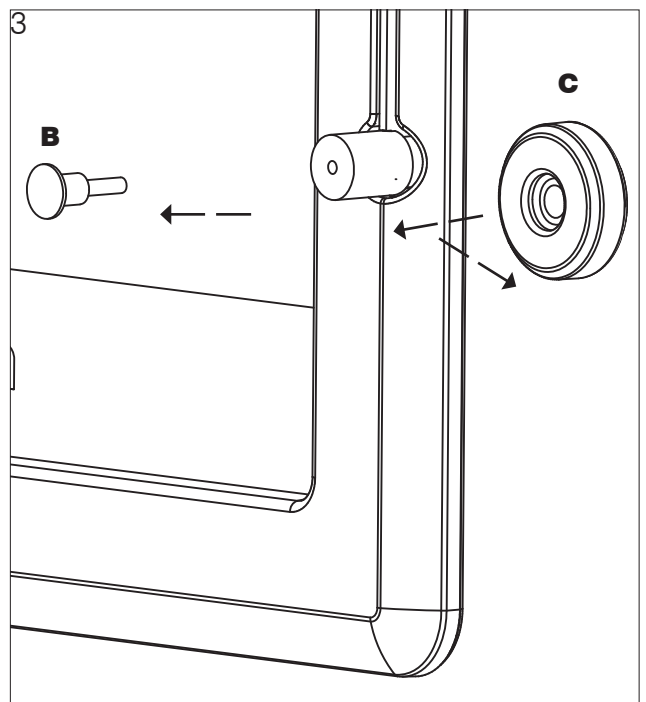
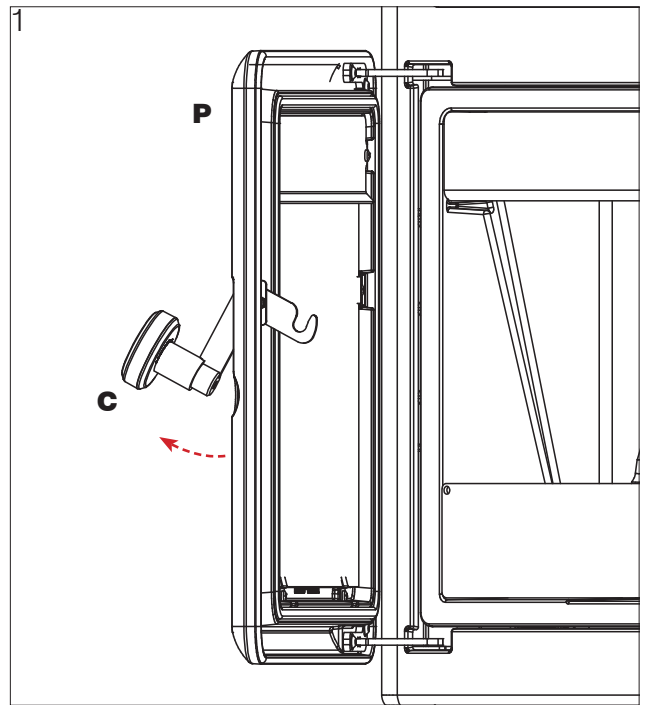
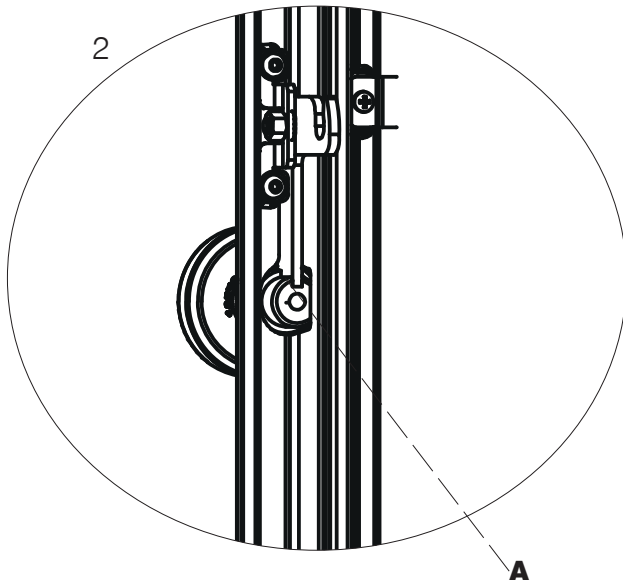
NOTE

The top smoke outlet is female, the rear smoke outlet is male.

The product has a knob (C Figure 1) on the handle of the combustion chamber door, with black as the standard colour. Operations are represented in the even number figures on this page.

To replace it, if needed, proceed as follows.

1. Open the combustion chamber door (P)
2. Undo the Allen screw on the rear of the handle (2)
3. Remove the front pin (3) and the knob (4)
4. Repeat the operations 3, 2 and 1 in the opposite way to mount the new knob.



REMARKS ON INSTALLATION

Note that:

- installation must be carried out by authorised technical personnel;
- The appliance must be installed and operated in compliance with local and national law and European regulations. The applicable Italian regulation is UNI 10683;
- If installed in a condominium, the appliance must be approved by the administrator.

We give some general instructions below, however these do not obviate the need to comply with local regulations and do not affect the installer's liability for the installation.

Checking the suitability of the installation space

- The room must have a volume of at least 20 m³.
- The floor must be able to bear the weight of the product and its accessories.
- Level the appliance.
- The appliance may not be installed in a bedroom, bathroom or in the same room as other equipment which draws air for combustion from the room itself, or in any area with an explosive atmosphere. Any extraction fans operating in the same room or area as the product, may affect its draw.
- In Italy, check the compatibility pursuant to UNI 10683 and UNI 7129 in the presence of gas fired products.

Protection from heat and safety clearances

The surfaces of the building adjacent to the product must be protected against overheating.

The insulation to be used will depend on the type of surface in question.

The appliance must be installed in accordance with the following safety instructions:

- minimum clearance at the sides and rear of 15 cm from flammable materials.

- no flammable materials may be kept closer to the front of the appliance than 80 cm.

If connected to a wooden or otherwise flammable wall, the flue must be insulated appropriately.

If installed on a flammable or combustible floor, or one incapable of bearing its load, use steel or glass plates under the stove to distribute the load.

Contact the retailer for such optional equipment

Positioning the product

The product is designed to operate in all climatic conditions. In special circumstances, such as strong wind, its safety equipment may switch the appliance off.

Contact the authorised Edilkamin Technical Assistance Centre.

**NOTE**

The smoke outlet diameter does not match the chimney system diameter. The chimney system must be sized in accordance with the national and local regulations.

In particular (this is not an exhaustive list), refer to the EN 13384, EN 1443, EN 1856, EN 1457 standards and to all local regulations.

FLUE SYSTEM

(Smoke duct, flue and chimney pot)

This chapter has been drawn up pursuant to European regulations EN 13384, EN 1443, EN 1856 and EN 1457. The installer must observe both these and any other local regulations. This manual does not in any way substitute such regulations.

The product must be connected to a flue system which ensures that the smoke produced by combustion are discharged in complete safety.

Before positioning the appliance, the installer must check that the flue is suitable.

SMOKE DUCT, FLUE

The smoke duct (which connects the combustion chamber's smoke outlet with the flue) and the flue itself must, among other regulatory requirements:

- receive the smoke from a single product (the outlets of multiple appliances cannot be conveyed into a single flue)
- be routed vertically for the most part
- have no downwards sloping sections
- preferably have a circular internal cross section, or with a ratio of the sides of less than 1.5
- terminate at roof level with a proper chimney pot: the flue may not discharge directly on the wall or into an enclosed space, even if the space in question is open to the sky
- be made of material rated in fire reaction class A1 as per UNI EN 13501 or analogous national regulations

- be certified, with a chimney plate if metal
- be of uniform cross section or vary in cross section only immediately after the outlet, not at some mid point of its length.

THE SMOKE DUCT

Further to the general requirements for the smoke duct and flue, the smoke duct:

- may not be made of flexible metal material
- must be insulated, if routed through unheated areas or outdoors
- must not be routed through rooms where the installation of combustion heat generators is prohibited, there is risk of fire, or which cannot be inspected
- must enable the recovery of soot and be open for inspection
- have at most 3 bends with a maximum angle of 90°
- must have a single horizontal section with a length of no more than 3 metres, depending on the draw. Note, in any case, that long sections promote the accumulation of dirt and are harder to keep clean.



Avoid infiltration of condensate water through the flue. If necessary, mount an anti-condensate ring – ask your chimney sweeper for details.

Damage caused by condensate water is not covered by the warranty.



* In some nations, installations with multiple flues are permitted under certain conditions. Depending on regional regulations, additional safety systems are necessary in case of connection to multiple flues. Your chimney sweeper/technician will be able to provide further details.

THE FLUE:

Further to the general prescriptions for the smoke duct and flue, the flue:

- must serve solely to discharge smoke
- must be correctly sized to satisfy the requirements of smoke discharge (EN 13384-1)
- should preferably be insulated, in steel with a circular internal section. If rectangular, the corners must have a radius of not less than 20 mm, with a ratio of the internal dimensions of <1.5
- must normally be at least 1.5 metres in vertical length
- must have a constant cross section
- must be waterproof and thermally insulated to ensure a good draw
- must preferably have a collection chamber for non-combusted matter and any condensation.
- if pre-existing, must be clean, to prevent fire hazards
- in general, we recommend fitting a tube inside the existing masonry chimney if its diameter is greater than 150 mm.

INTUBATED SYSTEM:

Further to the general prescriptions for the smoke duct and flue, the intubated system:

- must operate in negative pressure
- must be open to inspection
- must observe local regulations.

THE CHIMNEY POT

- must be windproof
- must have an internal cross section equivalent to that of the flue and a smoke outlet at least double that of the interior of the flue
- for dual flues (which should be spaced at least 2 m apart) the chimney pot receiving the smoke from the solid fuel appliance or that from the higher storey, must be at least 50 cm higher than the other
- it must extend beyond the back flow zone (in Italy, refer to UNI 10683 point 6.5.8.)
- it must allow for maintenance of the chimney

EXTERNAL AIR INTAKE

In general, we suggest two ways to ensure a proper flow of combustion air.

Indirect air intake

Install an air outlet at floor level with an effective surface area (net of the screen or other protections) of at least 80 cm² (10 cm in diameter).

To prevent draughts, we recommend installing the air intake behind the stove or behind a radiator.

Installing it in front of the appliance will create unpleasant draughts.

Direct air intake*

Install an air intake with effective area (net of the mesh or other protective equipment) at least equal to that of the air intake at the rear of the product.

Connect the air intake to the appliance's air intake with a tube (which may also be flexible). Increase the diameter of the pipe if it is not smooth: assess its load loss.

A maximum length of 1 metres is recommended, without bends .

The air may be drawn from an adjacent room only if:

- the flow is taken from permanent and unobstructed openings communicating with the outdoors;
- the adjacent room is never in underpressure relative to the outdoors;
- the adjacent room is not a garage, subject to fire hazard, a bathroom or bedroom;
- the adjacent room is not a shared room in the condominium.

In Italy, UNI 10683 provides that ventilation is sufficient even if a pressure difference between the outdoors and indoors of no more than 4 PA is guaranteed (UNI EN 13384-1). The installer who issues the declaration of conformity is responsible for ensuring these conditions.

*The direct connection of the air intake does not make the product airtight. It is therefore necessary to ensure an air recovery taken in the room by the product (i.e. for the glass cleaning)

FIRST IGNITION (COMMISSIONING) PHASES

- Make sure you have read and understood this manual
- Remove all flammable materials from the appliance (manuals, labels, etc.). In particular remove any labels from the glass
- Make sure that the technician performs the first ignition and the first loading of the pellet tank (see "pellet loading")



On first ignition, there may be a slight smell of paint, which will disappear in a short time.

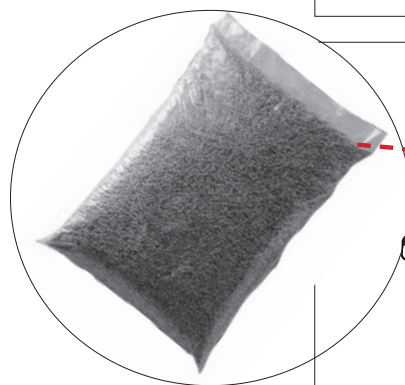
FUEL

Use UNI EN ISO 17225-2 category A1 wood pellets or similar regulatory products with the following characteristics.
 diameter 6 mm
 length 3-4 cm
 humidity <10 %

For reasons of safety and environmental compatibility, DO NOT burn plastic, painted wood, coal, bark or other such materials in the stove.
 Do not use the stove as an incinerator



Caution
 Using fuels other than those specified can damage the appliance



LOADING THE PELLETS INTO THE TANK.

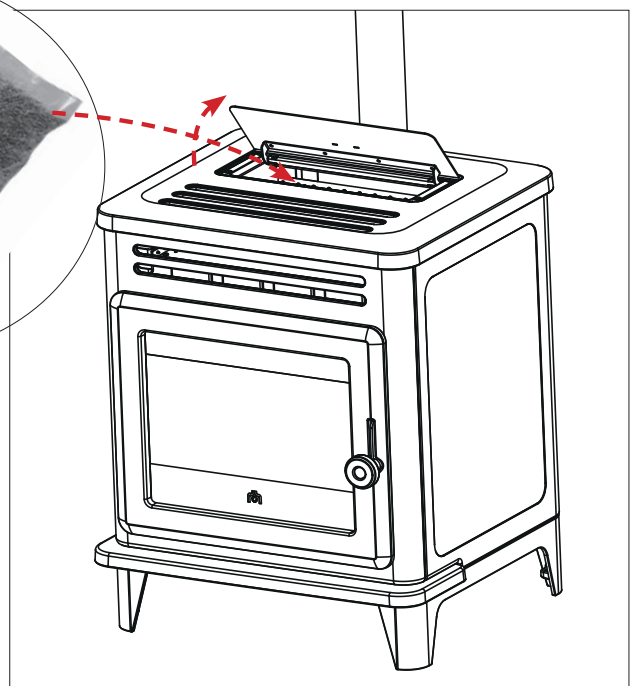
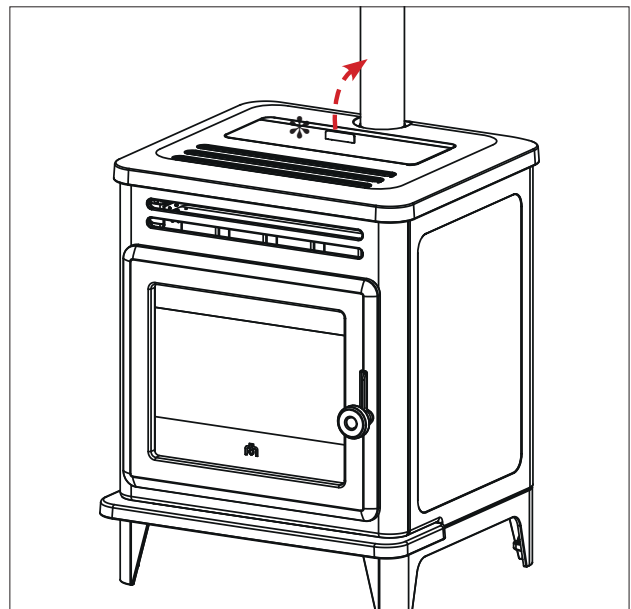
To open the tank, lift the lid by using the handle* (use glove if hot)
 Make sure not to touch the smoke discharge pipe if hot.



When the stove is hot, DO NOT MAKE CONTACT between the pellet bag and the top grille.

Use the provided glove when loading the stove while it is operating and hence hot to the touch.

Make sure not to touch the smoke discharge pipe if hot.



OPERATION

Mode	Settable parameters
MANUAL	<ul style="list-style-type: none"> power level ventilation level (if there are two or more fans, they can be adjusted separately)*
AUTOMATIC	<ul style="list-style-type: none"> desired room temperature ventilation level *
CRONO	<ul style="list-style-type: none"> desired room temperature, selected per day of the week ventilation level*

* by lowering ventilation, the product can also automatically modulate the power to maintain maximum performance and avoid overheating. Where necessary, a safety function is provided: if for reasons of use or installation the set ventilation does not allow the necessary heat dissipation, the maximum ventilation is automatically started.

The product also has the following supplementary functions.

Function	Modes in which it can be activated	What it does
Stand-By	automatic crono	when the desired temperature is reached, the product switches off and then back on again when the temperature drops
RELAX (not provided for some types of products)	manual automatic crono	enables natural convection mode (fan off), thus reducing the power
EASY TIMER	manual automatic	can be used to programme the switching off/on after a set number of hours (maximum 12 hours)



INTERFACE

The product can be managed alternatively as follows

STANDARD

- **Bluetooth REMOTE CONTROL:** can be used for all functions, near the product
- **The Mind APP** : useful for all functions at home with direct connection or outside the home with internet connection and registration

If necessary, a few functions can also be managed from a

- **SAVE PANEL:** placed on the product

By purchasing the Edilkamin **optional elements:**

- **VOICE CONTROL SYSTEMS:** Alexa or Google Home

OPTIONAL ELECTRICAL CONNECTIONS

On the product (accessible by removing the coating, with the electricity off and only by qualified technicians) a dedicated low voltage terminal block can be found

-Pin 1-2 = zone 3 ambient input = probe or thermostat of the relative zone

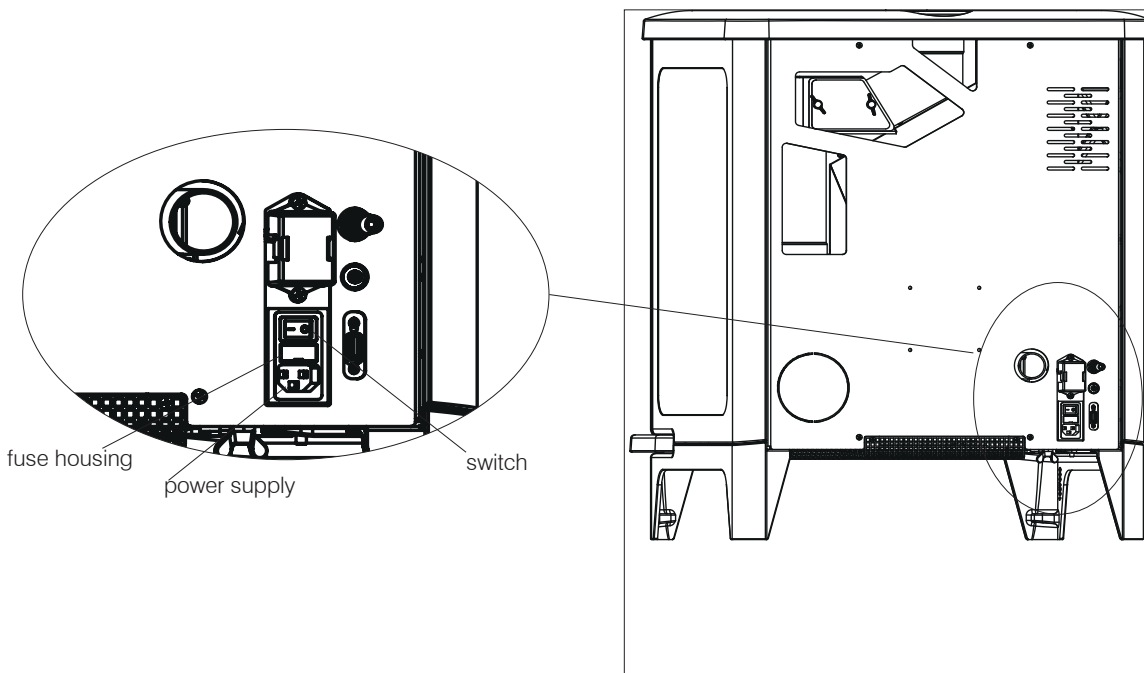
-Pin 3-4 = zone 2 ambient input = probe or thermostat of the relative zone

-Pin 5-6 = home automation input = commercial telephone dialler or remote On-Off or Thermostat.

NOTE:

The connections must be made by qualified personnel, with the electricity disconnected.

More info for installers on the site.



In case of connection of probes or thermostats on the room inputs, the relevant parameters must be set in the Technical Menu of the appliance.

There are two possible modes of operation. The installer can help you choose, according to your needs:

	Thermostat on home automation contact	Thermostat in place of the ambient probe on the electronic board
ACTION	The product turns on/off without any modulation.	the product modulates, goes into stand-by and turns on/off

REMOTE CONTROL

The remote control has specific functions for three distinct figures:

- **USER** of the product (operations not protected by password)
- **INSTALLER** (operations with dedicated password because any errors can jeopardise the product's operations and SECURITY)
- **EDILKAMIN TECHNICAL ASSISTANCE CENTRE (TAC)** (operations with dedicated password because any errors can jeopardise the product's operation and SECURITY).

Characteristics:

Module for RF transmission and reception with 2.4 GHz frequency - Recommended power supply 3 x AA slimline 1.5 VDC batteries (with at least 1600 mAh capacity).



Risk of explosion if the batteries are replaced with other unsuitable batteries.

REMOTE CONTROL POWER SAVING

After 20" of non-use the backlighting decreases and after a further 10" the display switches off. If any button is pressed with the display on, the counter resets. If any button is pressed while the display is off, the display and the backlighting will switch on and the counter will reset.

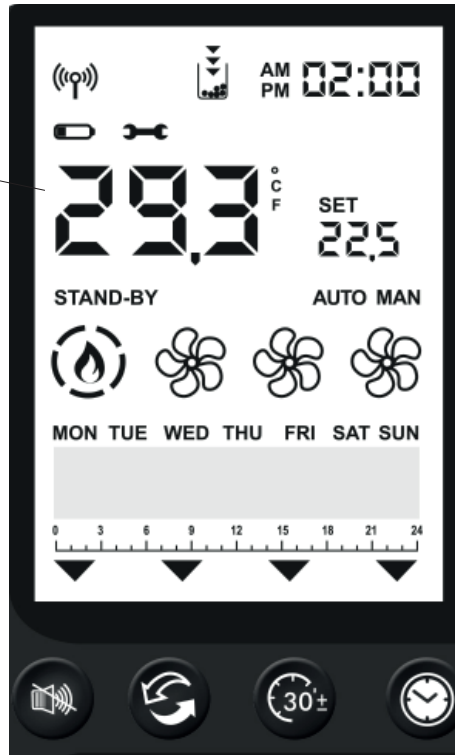
This only refers to the remote control, not the product itself.

In normal use, the remote control's batteries should last a year. This duration is for illustrative purposes only. Edilkamin and the reseller will not consider claims for battery life under any circumstances.

If on the initial start-up the language was not set, the screen for setting the language will appear. Choose the language with the +/- buttons and confirm with OK.



Current room temperature



Target room temperature



Bluetooth communication present between the product and the PCB. If there is no communication, the symbol disappears.



On only if the battery is running out.



Maintenance necessary symbol.

Appears after a certain number of hours of operation. In some models the symbol may be linked to a fuse problem on the board. In any case, contact the TAC.



The relative function is active (Relax – airKare – EasyTimer – Crono).

EasyTimer and Crono cannot be activated simultaneously.



Reserve indicator. It switches on if the function is active. The arrows switch on in sequence to signal that the tank must be filled.



Presence of flame and stove power

POWER ON

POWER LEVEL 1

POWER LEVEL 2

POWER LEVEL 3

POWER LEVEL 4

POWER LEVEL 5





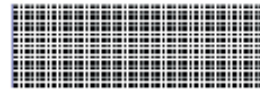
Visualisation of the status of the fan(s).

If the product has not heated up, no symbol will appear.

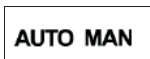
- FAN OFF: 
- SPEED 1 
- SPEED 2 
- SPEED 3 
- SPEED 4 
- SPEED 5 
- AUTOMATIC 



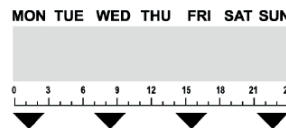
Indicates that the product has switched off after the target has been reached with stand-by mode active. DOES NOT indicate that the function is enabled.



Bottom bar for "Weekly Hour Schedule" and "Messages".



Automatic or Manual mode: the product's air power depends on the room temperature or is set by the user.



Days of the week and time bar. They only appear if the timer (Crono) has been activated.



Setting. Indicates that the remote control is in the setting mode. The settable value will appear in the bottom bar.



Digits for SET-POINTS. Setting of the various SET-POINTS: temperature, power, fan speed.

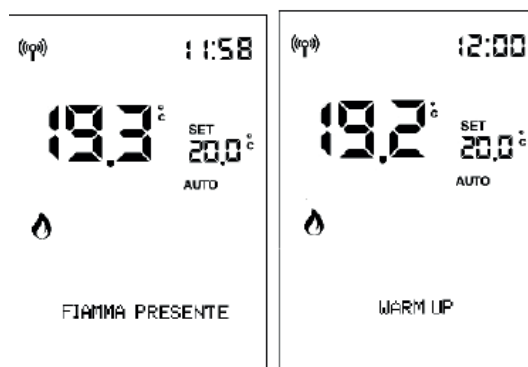
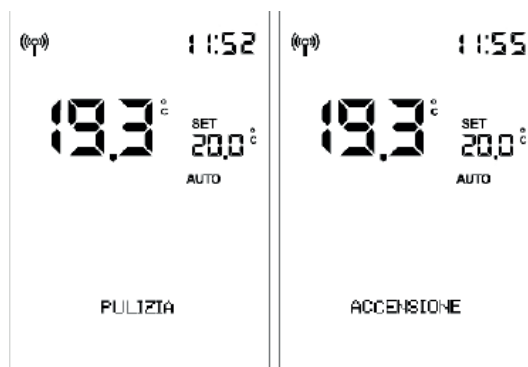
POWER ON/POWER OFF

These operations will take a few minutes, during which the flame must appear or extinguish. Simply wait without taking any action.

The ON/OFF button is used to manually start the on or off phase.

During the switch-on,

the display will show the status (CLEANING; SWITCH-ON; etc.)



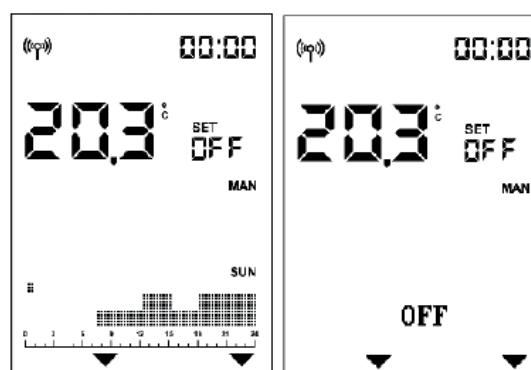
During switch-off,

the display shows the message "SHUTDOWN".



If time programming is active,

the status and programming are displayed alternately (3 seconds) on the status bar:

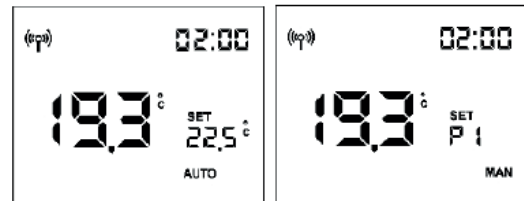


AUTOMATIC and MANUAL setting

Press the AUTO/MAN button to switch from manual to automatic mode or conversely.


AUTOMATIC

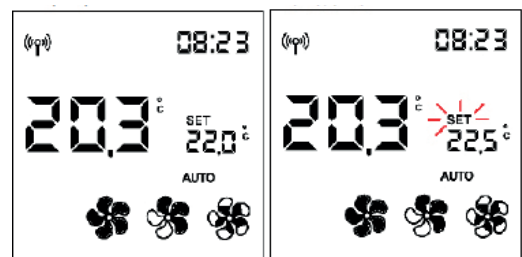
MANUAL



In AUTOMATIC mode:

Setting the room temperature (read by the remote control, which should be in the room where the product is installed).


Example: press a button and activate the display, then press the  button



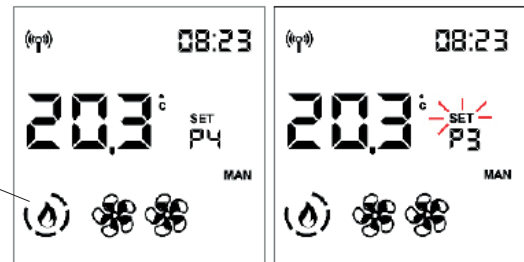
In MANUAL mode:


Setting of the power

Modify the power level (displayed by the flame symbol) using the “+” and “-” buttons.

For example: press any button and the display will activate, then press the  button

“flame” symbol




The setting can be confirmed with the  button or by waiting 5” without pressing any button. After confirming, SET will stop flashing.



NOTE:

With the timer active and the product switched off, neither the temperature nor the power can be adjusted.

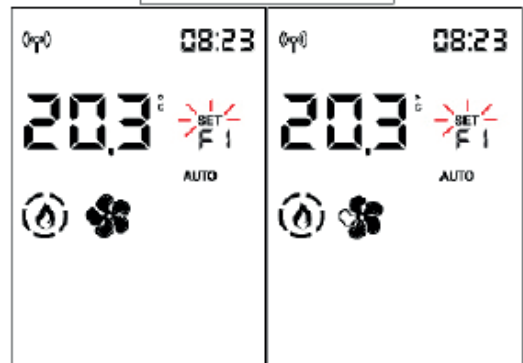
- FAN ADJUSTMENT

The setting can be made with the stove turned OFF or ON.
If the backlight is switched off, it can be activated by pressing any button.

Then by pressing the button  or  SET flashes and instead of the environment Set, the indication of the number of the fan being edited appears (F1).


The fan speed can be increased or decreased with  or  in the following sequence:


- 1 -2 - 3 - 4 - 5 - AUTO - for the front fan (1)
- OFF-1-2-3-4-5- AUTO for ducted fans (2 and 3)



with button 

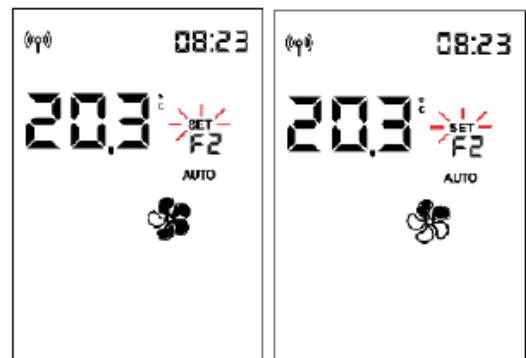
with button 


You can confirm the setting with the  button and then move to the next fan, if present (only for PLUS ducted versions), otherwise you can exit the fan setting page and "SET" will stop flashing.
Wait 5" without pressing any button to exit the fan setting, and SET will stop flashing.


Pressing the  button to confirm will take you to the next fan (Fan 2), if present.



Pressing the  or  button modifies the fan speed.



You can confirm the setting with the  button and then move to the next fan, if present, otherwise you can exit the fan setting page and “SET” will stop flashing. Alternatively, wait 5" without pressing any button to exit the fan setting, and “SET” will stop flashing, even if there are other fans.

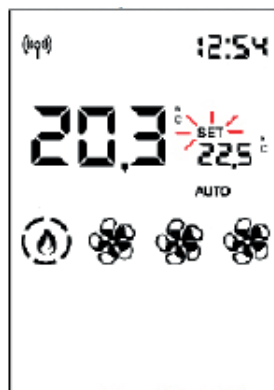
Pressing the  button to confirm will take you to the next fan (Fan 3), if present. Waiting 5" without pressing any button takes you back to the home page with the modified SET.




WITH OPTIONAL ROOM PROBE

DUCTED ZONES 2 AND 3 ROOM SET-POINT

The setting can only be made with ducted-air stoves. If two or more optional room probes are connected and activated, it is possible to set the relative room set-point and display the room temperature.



After setting the installation room temperature (or with the room power in manual mode), wait 5" without pressing any button and "SET" will flash then you will exit the settings page.

Otherwise, if you confirm with the  button, you can set the room set-point for zone 2 (if the probe is present and active) indicated on the bottom bar.



Press OK to move to the next zone (zone 3), if present, or exit.


- RELAX FUNCTION

Natural convection function (without ventilation) with automatic power limiting.

This function is available in all modes: automatic, manual and crono.

Press the  button to activate the Relax function.

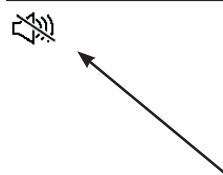
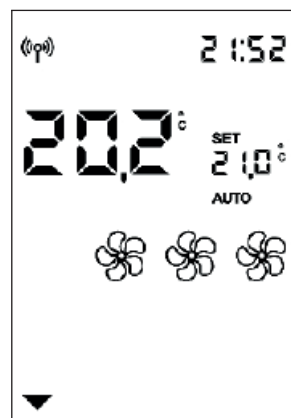
Its activation on the display will be signalled by the arrow relative to the Relax button

Again by prolonged pressing of the  button, the function is disabled.

The product reduces its power output and after a few minutes switches the fan off too.

NOTE:

While the Relax function is active, it is not possible to increase the power to level P5.



- EASY TIMER FUNCTION (delayed switching off and on)

This function switches the product on/off after a set period from activation of the function.

This is convenient if you go to bed and want the product to switch on/off after a few hours (maximum 12 hours).

The Easy Timer function can be activated by pressing the dedicated button



By activating the Easy Timer function with the product on, the switch-off time can be set with ½ hour intervals.

By activating the Easy Timer function with the product off, the user sets the switch-on time.

Pressing the OK button or after 5" without pressing any button, the countdown will start with 5-minute intervals.

Example: Switch-ON in 1/2 hours' time.



The bar will continue to show the countdown which decreases until the product switches on or off.


The Easy Timer function can be deactivated by pressing the dedicated button.


The display will show an arrow above the button and the countdown.

To vary the timer before the switching on or off, it must be deactivated and then reset.

CRONO

After setting the times, temperatures or power levels in the CRONO MENU, if the product is in automatic mode, the timer will work at room temperature, otherwise at the power setting.


Pressing the  button allows for switching from Crono in Temperature and Crono to Power and vice versa.




Briefly pressing the  button activates or deactivates the timer (programmed in advance from the app or remote control).

NOTE

The timer is programmed from the MENU. The timer button is only used to activate/deactivate the function.

- MENU

It can be accessed by pressing the  button and the first Menu item will appear.

You can scroll the menu items with the  and  buttons, and enter the item with the  button

The menu items appear in the following order:

- STAND-BY**
- PELLET LOAD**
- CRONO**
- TEMP. CRONO**
- DATE-HOUR**
- LANGUAGE**

The following functions must be taken into account only following indications from the technician.

Therefore, we do not report the complete explanation in this document

- DISPLAY**
- INFO**
- SOFTWARE**
- DATA**
- ALARMS**
- PELLET FALL**
- PELLET SENSOR**
- TECHNICAL MENU**
- SET TEMPERATURE**

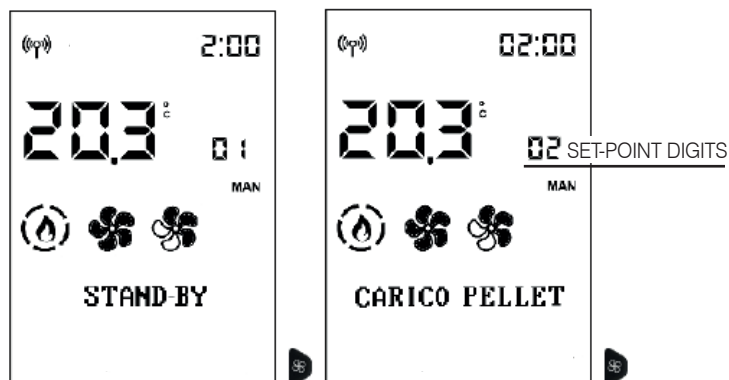
The set-point digits contain the progressive number of the menu item, while the status bar includes the description of the menu item in large letters.

NOTE

Depending on the version, the order of the items may vary.



We recommend, at the end of installation and commissioning, to check all the daily operations and useful documents with the technician.






To exit the menu, press 

STAND-BY




When the Stand-by function is active, in the automatic and crono modes, the product switches off once the temperature set-point is reached and turns on again when the room temperature drops below the chosen value.

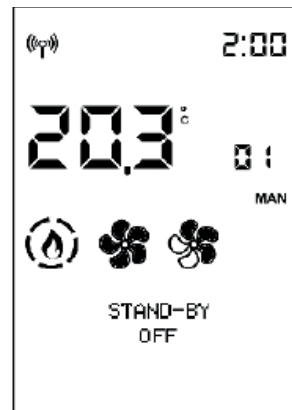
When the Stand-by function is not active, the product sets itself to minimum power when the temperature set-point is reached.


To access the function from the main menu (as indicated in the Menu section above), press the MENU button.

You can scroll the menu items with the  and  buttons, and enter the item with the  button

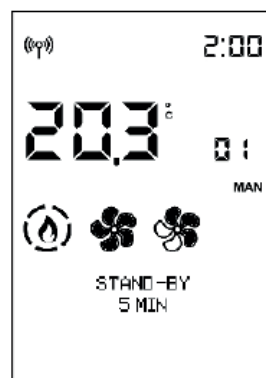
After entering the Stand-by function, the display will show the name of the function on the first line of the status bar and the current value on the second line (OFF if deactivated, ON if active).




The  and  buttons can be used to modify the value from Off (function deactivated) to On (activated) and the  button can be used to confirm.




Pressing the  button with the value ON activates the function and the display will propose to choose how many minutes must pass before the device switches off in stand-by mode.

(example 5 minutes)



The  and  buttons can be used to modify the time, and the button  to confirm

Pressing the  button automatically takes you to the first level.






PELLET LOADING

Allows you to load pellets after the pellet tank has been completely emptied.

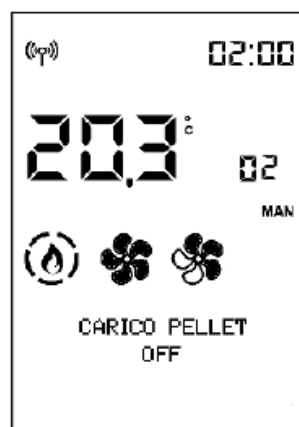
Useful for the technician during the initial start-up.





Available only in the OFF status. Any attempt to activate the function in other statuses will not be allowed.


To access the function from the main menu (as indicated in the Menu section above), press the MENU button.

You can scroll the menu items with the  and  buttons, and enter the item with the  button

Once you have entered the **PELLET LOAD** function, the display shows the name of the function on the first line of the status bar and the current value on the second line (OFF if disabled, ON if enabled).



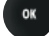





The  and  buttons can be used to modify the value from Off (deactivated) to On (activated) and conversely, while the  and  buttons are used to adjust it.

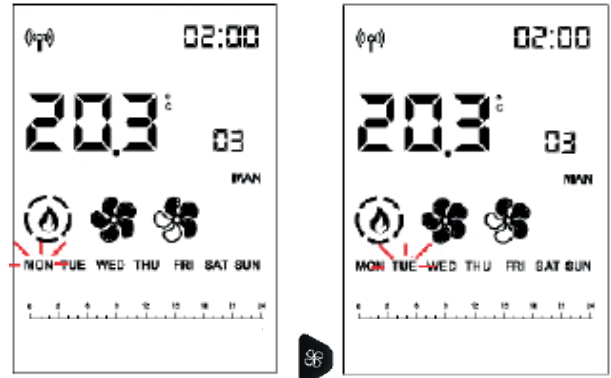
Pressing the  button automatically takes you to the first level.

- CRONO



To access the function from the main menu (as indicated in the Menu section above), press the MENU button.

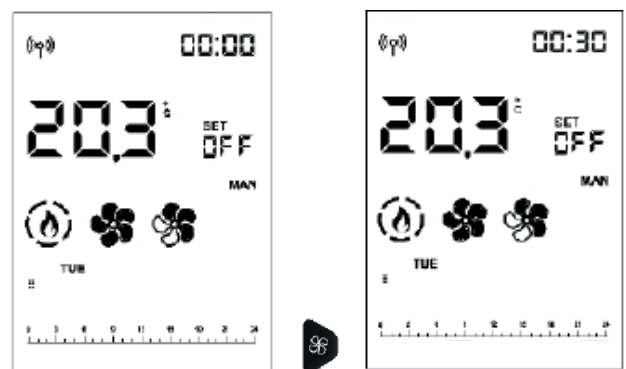
You can scroll the menu items with the  and  buttons, and enter the item with the  button



Choose the day of the week by scrolling the  and  buttons (you will simultaneously see the programme for that day) and confirm with the  button.



The cursor (rectangular) positions itself on 00:00.
The time at the top RH shows the start of the time slot



Use the  and  buttons to scroll the time with 1/2-hour steps, by moving the cursor and displaying the pre-set level.



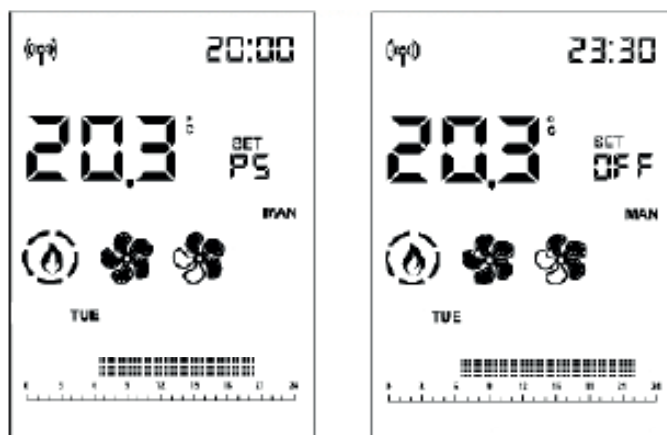
The  and  buttons can be used to modify the temperature levels (OFF – T1 and T2) or the power levels (OFF – P1 and P5).



After reaching 23:30 you must go backwards.



If you shift by pressing and holding the  or  buttons for more than 2", you copy the previous level onto the next level with a 1/2 h frequency per second.

The level can be copied also with backward shifts.




After setting the entire day, confirm with the  button




The copied day of the week flashes and you can shift to the next day using the  and  buttons

Confirm with the button



Briefly pressing the  button allows you to exit the programming mode, but the programme will not activate.

To activate it, you must briefly press the  button again from the main page.

NOTES




The switching on and off of the product can be forced with the timer active, by pressing the ON/OFF button for 2".

Only with the Stand-by function active will the product switch off once the set temperature has been reached.

TEMP. CRONO (T1-T2)

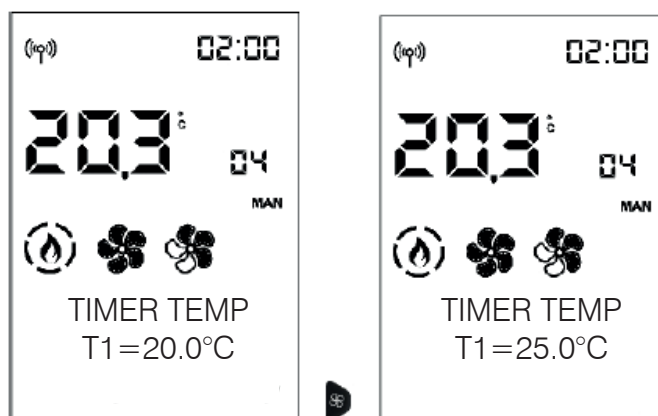
Temperature setting for timer T1 – T2

To access the function from the main menu (as indicated in the Menu section above), press the MENU button.


You can scroll the menu items with the  and  buttons, and enter the item with the  button

After entering the T1-T2 function, the display will show the name of the function on the first line of the status bar and the current value of T1 on the second line. T1 is the lowest temperature, T2 the highest.

Use the  and  buttons to move to set-point T2 setting.



Modify the values with the  and  buttons and confirm with the  button

Pressing the  button automatically takes you to the first level.




DATE-HOUR

Can be used to set the current date and time.

To access the function from the main menu (as indicated in the Menu section above), press the MENU button.


You can scroll the menu items with the  and  buttons, and enter the item with the  button

After entering the Date-Time function, the display will show the name of the function on the first line of the status bar and the current value of the first setting (12/24 hours) on the second line.

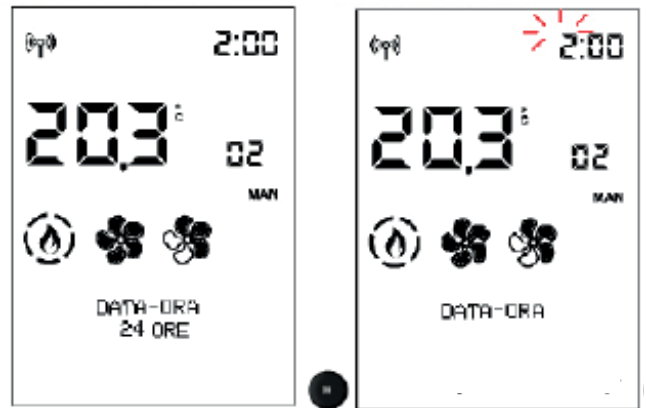
You can switch from 12 to 24 hours using the  and  buttons and confirm with the  button



You reach the AUTO SUMMER TIME item (OFF if deactivated ON if activated)

You reach the WEB SYNC item (OFF if deactivated ON if activated)

At the end the item SET HOUR will appear and it will be possible to modify the hours first with buttons + and - and confirm with the  button

The minutes will then flash



The hours will then flash and can be modified using the  and  buttons, then confirmed with the

 button

The minutes will then flash.





If the product is connected to the cloud, the date and time can be set from the web.

If the product is connected to a smartphone, the date and time can be set using the app.

LANGUAGE

Selects the language.




To access the function from the main menu (as indicated in the Menu section above), press the MENU button.

You can scroll the menu items with the  and 

buttons, and enter the item with the  button

After entering the Language Menu item, the name of the function appears on the first line of the status bar and the current value on the second line (ENGLISH)



Modify the language using the  and  buttons then exit and confirm with the  button

Pressing the  button automatically takes you to the first level.

The following functions must be taken into account only following indications from the technician. Therefore, we do not report the complete explanation in this document.

DISPLAY

Allows you to change the brightness of the display and an acoustic signal when the keys are pressed

BRIGHTNESS ON

Indicates the backlight percentage of the display.
You can switch from one percentage to the other with buttons + and - and confirm with OK button

STBY BRIGHTNESS

Indicates the backlight percentage of the display before entering energy saving mode

TIME ON

Indicates the time the display remains illuminated

STANDBY TIME

Indicates the amount of time the display remains illuminated before entering power saving mode

BEEP



Allows to enable an acoustic signal when the buttons are pressed (OFF if deactivated ON if activated)

INFO

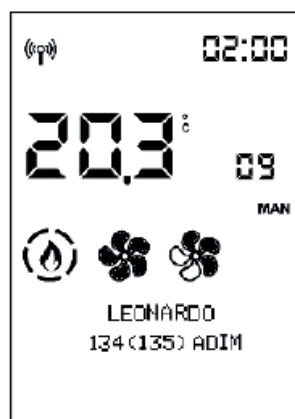
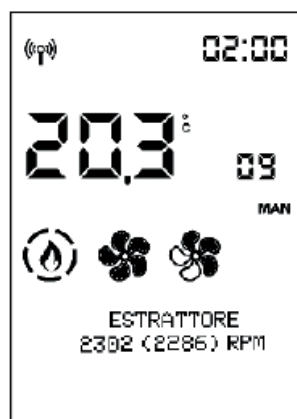
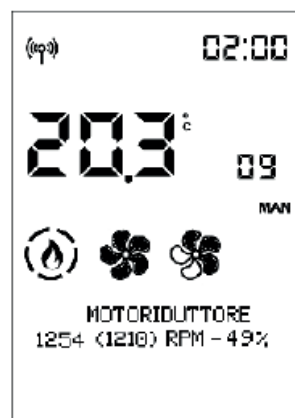
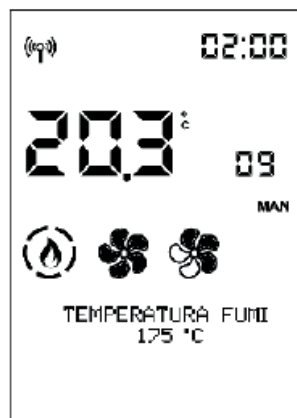
These readings should only be done when requested by the technician.

The technician understands the diagnostic meaning of the messages and values, and may ask you to read them to him/her if you experience problems.

To access the function from the main menu (as indicated in the Menu section above), press the MENU button.

You can scroll the menu items with the  and  buttons

Pressing the  button automatically takes you to the first level.



- INFO (info for INSTALLER continues)

They provide instant situation values.

Flue temperature indicates the value of the temperature read inside the product. To be read only under the guidance of the Technical Assistance Centre

Auger motor: indicates the speed set and read. Useful for understanding any anomaly in the motor that loads the pellets. To be read only under the guidance of the Technical Assistance Centre

Extractor: indicates the speed set and read. Useful for understanding any anomaly in the engine that creates depression in the combustion chamber. To be read only under the guidance of the Technical Assistance Centre

Leonardo: indicates the target value set and read. To be read only under the guidance of the Technical Assistance Centre

Fan1: indicates the output voltage. To be read only under the guidance of the Technical Assistance Centre

Ignition plug (spark plug): indicates whether the ignition component is on or off. Useful in the ignition phase to understand functionality.

Home automation contact: indicates whether ON or OFF. Useful for understanding functionality.

Radio signal: indicates the signal strength in milliwatt decibels. Admissible values from 0 to -95dB

- SOFTWARE

Indicates:



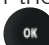
- the firmware version of the electronic board (basic board)
- the firmware version of the control panel
- the database (associated by the Technical Assistance Centres with the products)

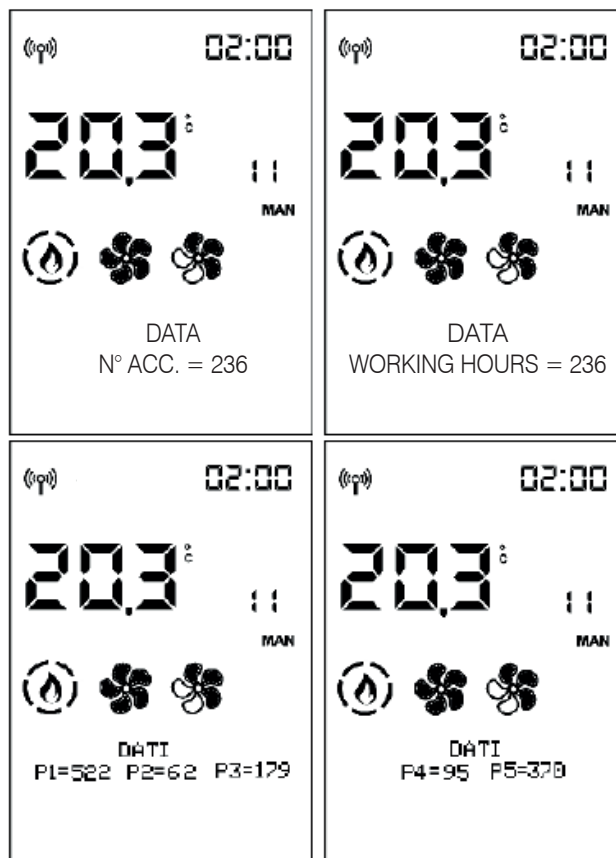
To be read only under the guidance of the Technical Assistance Centre

DATA

Information of the product's operation log can be scrolled with the  and  buttons



To access the function from the main menu (as indicated in the Menu section above), press the MENU button.

You can scroll the menu items with the  and  buttons, and enter the item with the  button



Pressing the  button automatically takes you to the first level.

ALARMS

Information of the product's operation log can be scrolled with the  and  buttons.

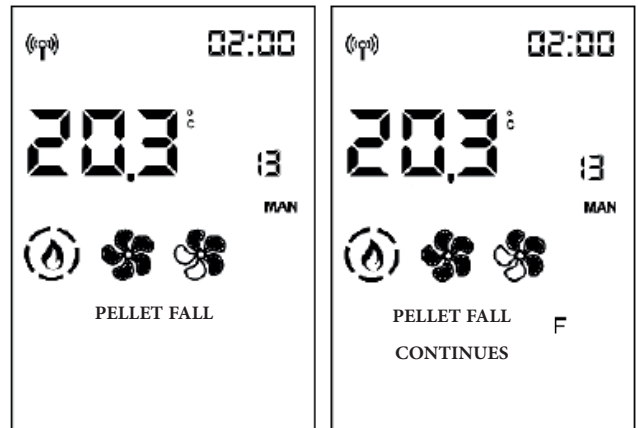
Readings to be carried out under the guidance of a technician. The meaning of the abbreviations is in the dedicated paragraph
The alarms are arranged from the most recent to the oldest.



Exit with the button 

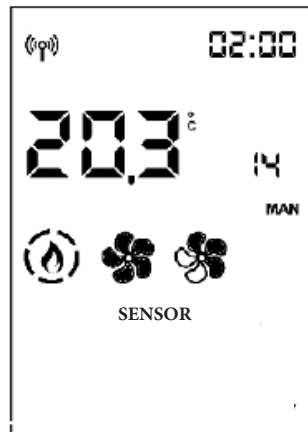
PELLET FALL

Allows to set the auger motor in continuous cycle or in steps. To be carried out ONLY UNDER THE GUIDE OF A TECHNICIAN.




PELLET SENSOR

Allows you to set ON or OFF of the pellet level sensor.



TECHNICAL MENU (for TECHNICIANS ONLY)

Accessible only by technicians with password (1111). Once the password has been entered, confirm with the  button

If you enter with the installer password (1111) you will only access the following installer parameters/settings:

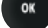
- **FLAME TYPE**
- **PELLET TYPE**
- **PARAMETERS**


- FLAME TYPE (for the TECHNICIAN ONLY)

In correct installation conditions, with the Service Centre parameters appropriately adjusted, with quality pellets, the intensity of the flame is adjusted:

- STANDARD
- ECO
- PLUS

After entering the Technical Menu, the first item, "FLAME TYPE", will appear

You can enter the Flame Type setting using the  button

while the  and  buttons can be used to modify the correction value.

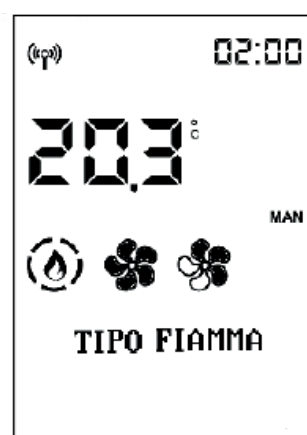
Pressing the  button automatically takes you to the first level.





NOTES

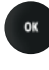


inappropriate changes can cause the product to seize up


Information on how to use these functions is only available to technicians in the appropriate web area.



- PELLET TYPE

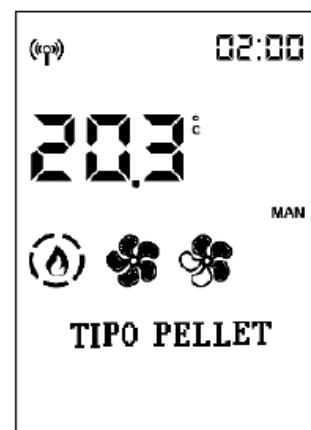
You can scroll the Technical Menu items with the  and  buttons until you reach "PELLET TYPE"

Enter the Pellet Type (%) setting with button  and the value can be modified with button  and 



Use the  button to exit and return to the Technical Menu

In correct installation conditions, with the Service Centre parameters appropriately adjusted, with quality pellets, the pellet load is adjusted

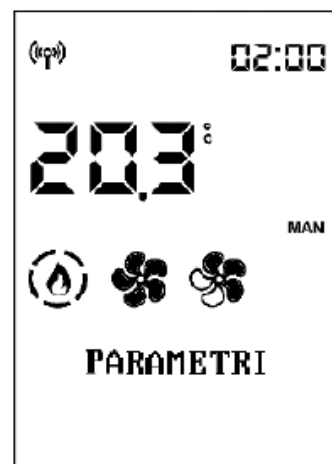
- MEDIUM
- HIGH
- LOW







- PARAMETERS

Scroll through the items of the Technician Menu with buttons  and  up to the item "PARAMETERS".

You enter the Parameters with button , the first parameter is displayed.



Scroll through the parameters with  and  and the value can be modified with buttons  and .

If you entered the Technician Menu with the Installer Password, only the Installer parameters appear, otherwise all the parameters appear.

PARAMETERS (continue PARAMETERS for INSTALLER)

SENS. PLT LEVEL: enables or disables the possibility for the end customer to view and choose the status of the pellet reserve indicator

AIRKARE FUNCTION: allows to select IF Airkare is active and on which room size (SMALL, less than 30 m³, or BIG) or not active (OFF)

AIRKARE RESET : allows to reset the working hours of airKare

DUCTING 2: allows you to activate the speed of the ducting fan at maximum (ON-OFF)

DUCTING 3 allows you to activate the speed of the ducting fan at maximum (ON-OFF)

NUMBER OF FANS: enables or disables the possibility for the end customer to operate the fan if present.

ROOM INPUT: allows to choose which item the end customer reads and adjusts on the Home display. It depends on the type of plant:

- PROBE: room probe, standard in the product
- THERMOSTAT: enables the thermostat, which can be installed in place of the room probe.

ROOM2/CYIL.INPUT: defines the item to be enabled according to the connected component.

- NO INPUT: default
- PROBE
- THERMOSTAT

IN. AMB3/CYL/SE: defines the item to be enabled according to the connected component.

- NO INPUT: default
- PROBE
- THERMOSTAT

CRONO SYNCHR.: synchronises the timer

UNPAIR BLUETOOTH: enable

SET TEMPERATURE

Allows the correction of the reading of some temperature probes. To be carried out ONLY UNDER THE GUIDE OF A TECHNICIAN.

- ADJ ROOM1
- ADJ TEMPRADIO

SAVE PANEL



SAVE PANEL can temporarily make up for the absence of a remote control or smartphone, or other product management systems.

Controls the product starting from the pressing of the buttons.

When the remote control or smartphone re-establishes the communication and sends a command to the product, the remote control or smartphone will once again resume control of the product.

The display will ONLY appear if the product is controlled via the SAVE PANEL.

FUNCTIONS

To switch on the product: press the On-Off button for a few seconds.

To set the power level with the product on: press the "power" button once. Pressing it repeatedly will cause the power to increase, with the following setting appearing on the display: "P1" – "P2" – "P3" – "P4" – "P5" – "P1" – "P2" – ... The ventilation of all room fans will automatically follow the product's power level without it being possible to adjust them.

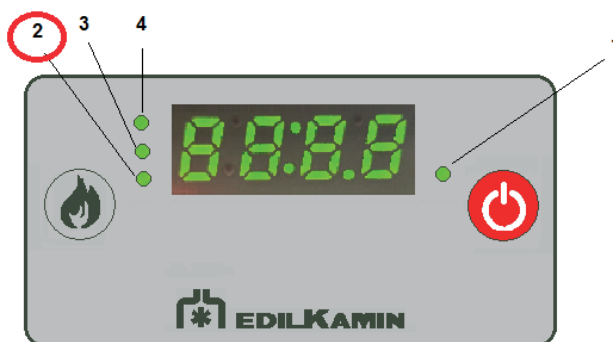
To switch off the product: press the On-Off button for a few seconds.

To unlock the product that has been locked due to an alarm: press the On-Off button for a few seconds.

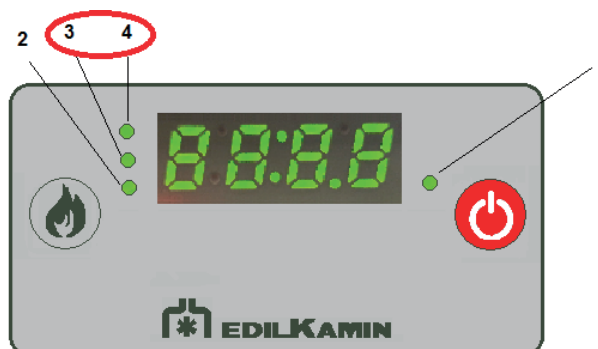
The three LEDs on the left indicate the status of the product associated with the display.



Led 1	Presenza di tensione
OFF	Assente
ON	Presente



Led 2	Connessione EK Cloud
OFF	Assente
ON	Presente



Led 4	Led 3	Connessione al router WiFi
OFF	OFF	Nessuna
ON	OFF	Scarsa
OFF	ON	Media
ON	ON	Buona

**Before doing any maintenance, disconnect the appliance from the mains.
Regular maintenance is essential to keeping the appliance in good working order.
Failure to service the product properly will prevent it from working properly.
Any problems due to failure to service the stove will void the warranty.**

DAILY MAINTENANCE

These operations must be done with the product off, cold and preferably disconnected from the mains.

A suitable vacuum cleaner is required.

The entire procedure takes just a few minutes.

Operations are represented in the even number figures on this page.

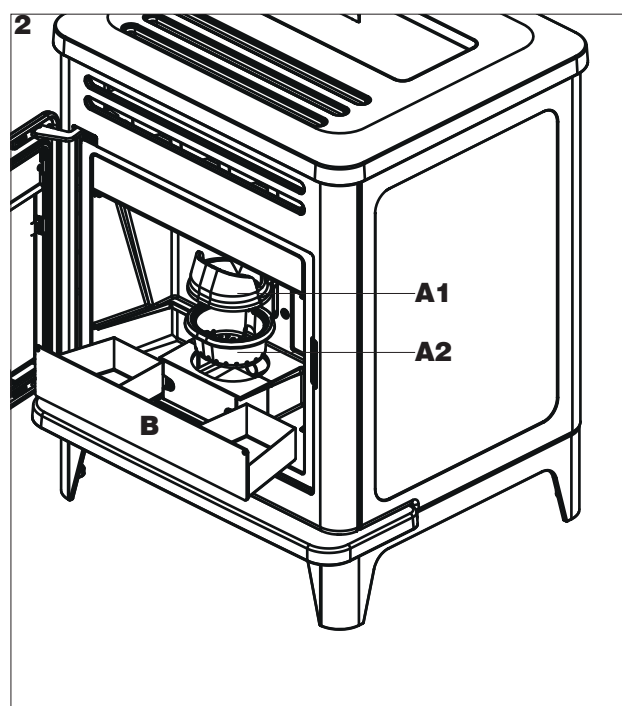
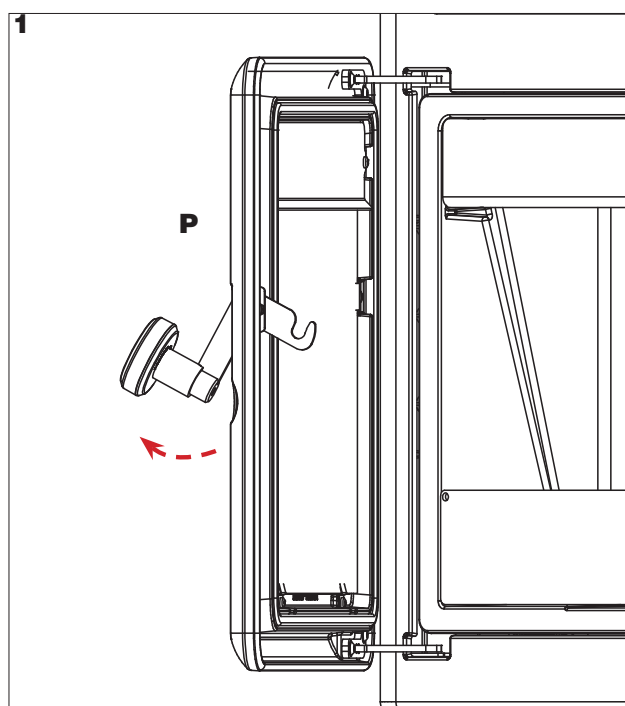
1. Open the combustion chamber door (P).
The grate consists of two parts (A1 and A2). It is snapped into position in its housing.
2. Empty the ash tray (B) and the grate into a non-flammable container (the ashes may still contain embers and/or hot parts, or clean using a vacuum cleaner if cold. Vacuum out the interior of the combustion chamber, the bed, and the compartment around the grate into which the ash falls.
3. Scrape the grate with the provided scraper and clean out any obstructed holes.
4. Clean the glass (when cold) if necessary, by using a suitable product (such as Glasskamin) available at the retailer.

Do not dump the cleaning residue into the pellet tank. Once it is refitted, make sure that the ash tray is properly placed in its housing, to avoid glass breakage when closing.

Make sure that the grate is properly placed in its housing after maintenance operations, if not, the stove may have ignition problems.



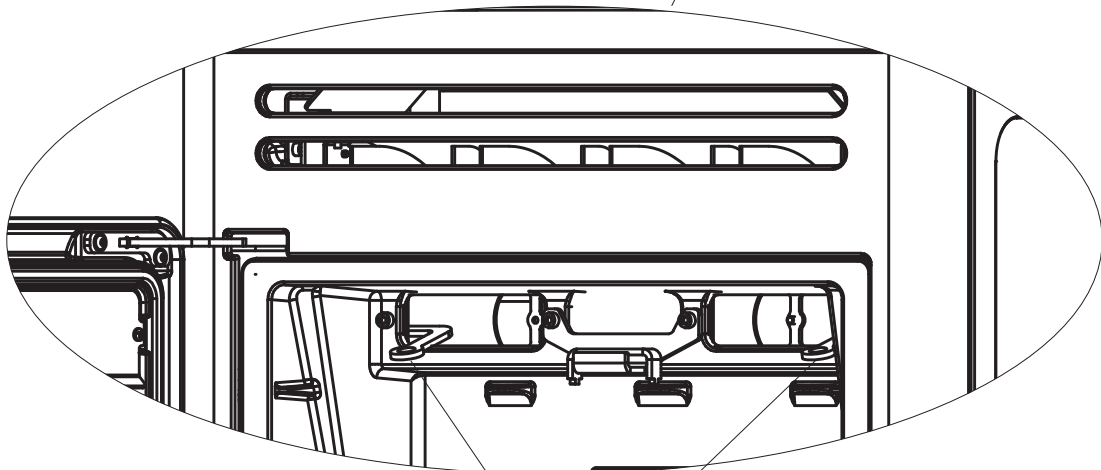
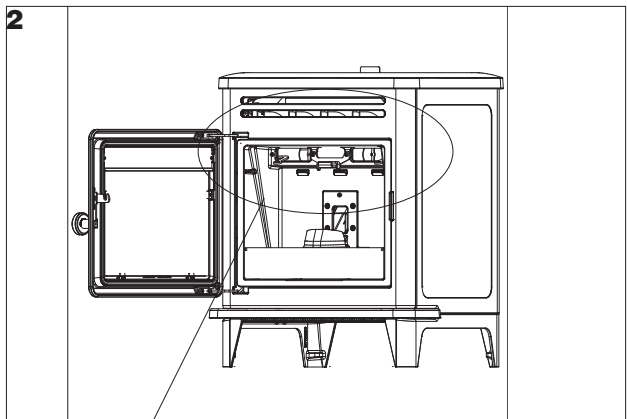
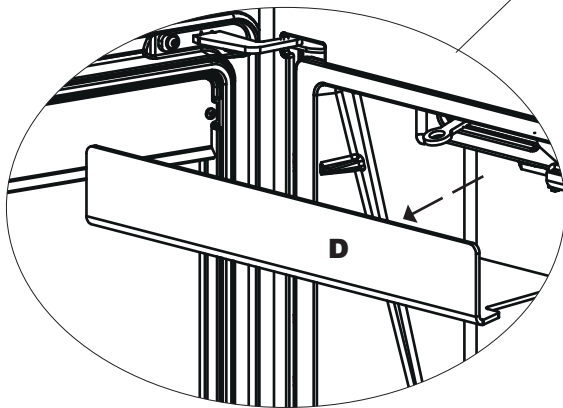
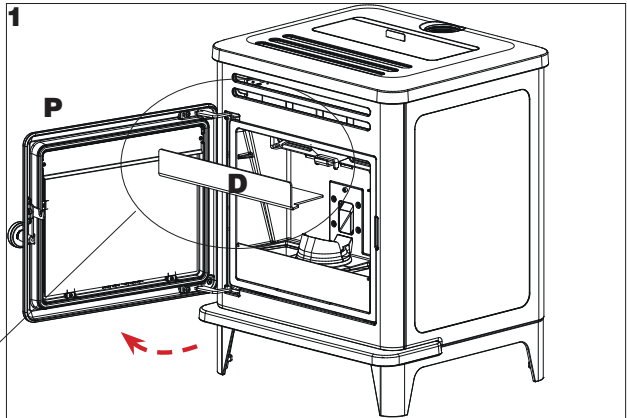
Using the stove without cleaning the grate can cause the gas in the combustion chamber to ignite and detonate



WEEKLY MAINTENANCE

When the product is off and cold, you should activate the cleaning brushes inside the combustion chamber. Operations are represented in the even number figures on this page.

1. How to access the cleaning brushes:
 - open the combustion chamber door (P)
 - remove the top deflector (D), by pulling it towards you
2. Activate the cleaning brushes.



cleaning brushes

QUARTERLY MAINTENANCE

In case of frequent use, decide with the technician whether to:

clean the inspection areas on the bottom of the product;

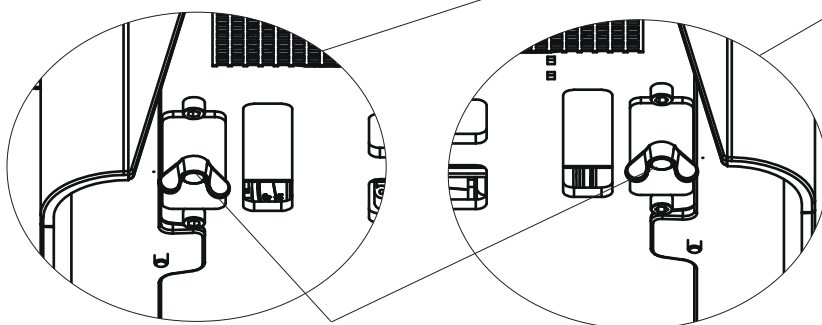
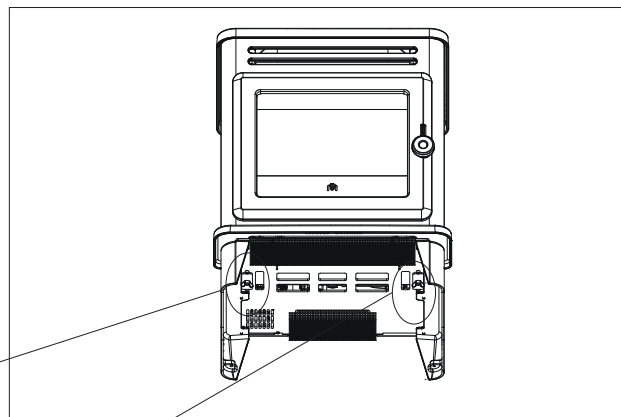
clean the inspection areas on the rear.

To clean the inspection areas on the bottom of the product, proceed as follow.

In case we have removed feet, technician can use inspection on the side. The view holes are accessible as long as the feet have not been removed. Alternatively, the technician can clean the appliance using the side view holes, accessed by removing the side panels.

We recommend you to put a cloth or newspaper underneath the product to avoid dirt spilling.

When the product is off and cold, undo the screws ("wing nuts") underneath the product.

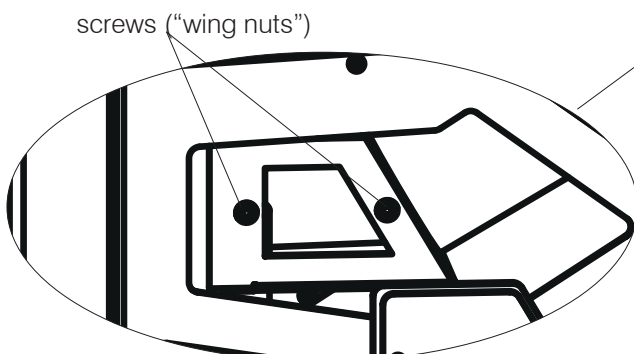
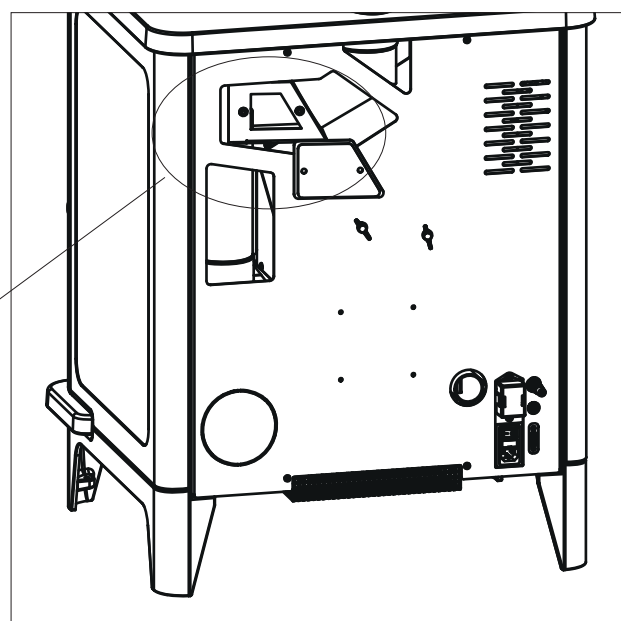


screws ("wing nuts")

To clean the inspection areas on the rear of the product, proceed as follows.

When the product is off and cold, undo the screws ("wing nuts") on the plate on the rear of the product.

Clean with a vacuum cleaner.



screws ("wing nuts")

SEASONAL MAINTENANCE

(to be carried out by the technical assistance centre)

This consists in cleaning the stove inside and out.

If the product is used intensively, we recommend cleaning the smoke duct and flue every 3 months.

You should clean the chimney system at least once a year (check local regulations for details).

If you fail to regularly clean and inspect the system, there is an increased risk of the chimney pot catching fire.

We recommend against using compressed air to clean the combustion air inlet.

SUMMER SHUTDOWN

During the period of disuse, keep the stoves doors, hatches and lids closed.

We recommend emptying out the pellet tank. Place the package of dessicating salts inside the combustion chamber.

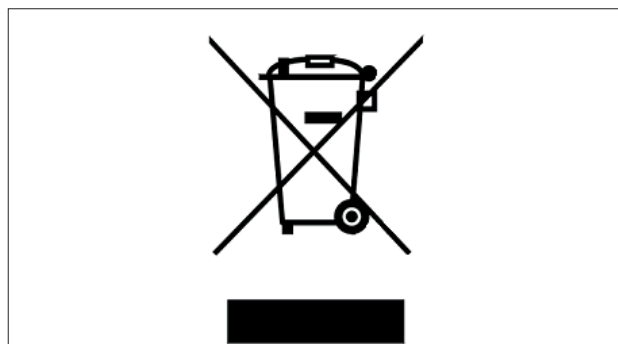
SPARE PARTS

for any spare parts, contact your reseller or technician. Using non-original spare parts may damage the appliance and relieves Edilkamin of all liability for damage resulting there from.

Do not make unauthorised modifications

DISPOSAL

At the end of its service life, dispose of the product as required by regulations.



In accordance with art. 26 of Legislative Decree no. 49 of 14th March 2014, "Implementation of Directive 2012/19/UE on the disposal of electrical and electronic devices (RAEE)".

The crossed-out dustbin symbol displayed on equipment or its packaging indicates that the product at the end of its life must be collected separately from other waste.


At the end of its useful life, the user should therefore deliver the product to a suitable local sorted collection centre for electrical and electronic devices.

Sorted collection for recycling, treatment and environmentally compatible scrapping contributes to the prevention of negative effects on the environment and health, and promotes the re-use and recycling of the materials of which the equipment is made.

If problems occur, the product shuts itself off automatically.

The display will show the reason (see below).

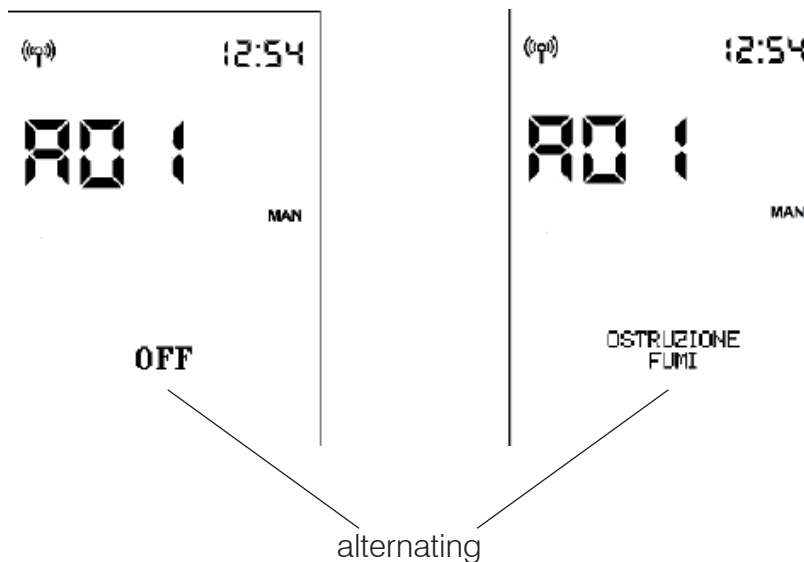
Do not disconnect from the power supply.

To restart the product, wait for the switch-off sequence to terminate and then press the ON/OFF button  of the remote control or the simplified switch-on button.

Before starting the product up again, check the reason for the shutdown and CLEAN the burning pot.

The product is equipped with the necessary safety devices but, if the burning pot is not cleaned regularly as explained above, ignition may involve a slight detonation. If white smoke forms in the combustion chamber for a long time, disconnect the mains supply and wait 30 minutes before opening the door and emptying out the burning pot.

SHUTDOWN MESSAGES AND THEIR SOLUTIONS:



In case of an alarm, an alarm code will appear instead of the room temperature.

While the product switches off, the status bar will alternately show "OFF" in large letters and the description of the alarm in small letters.

If the alarm occurred with the timer active, only the timer's activation arrow will remain displayed, while the day's time schedule will disappear.

Once the switch-off sequence terminates, only the alarm description will remain.

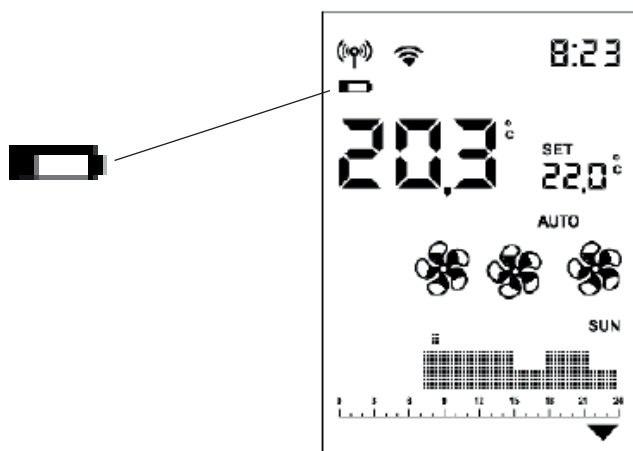
MESSAGE	PROBLEM	SOLUTION
A01	displays when the combustion air intake is below the set level	<ul style="list-style-type: none"> • Check that the combustion chamber door is closed • Check the regular maintenance of the product • Check that smoke discharge and combustion air ducts are clean.
A02	displays when the logic board is not detecting the right fumes fan speed	<ul style="list-style-type: none"> • Contact the technician
A03	displays when the thermocouple detects a fume temperature lower than the set value and interprets this as the absence of flame	<ul style="list-style-type: none"> • Check that there are pellets in the tank • Contact the technician
A04	displays when ignition times out unsuccessfully	<p>There are two possibilities: NO flame:</p> <ul style="list-style-type: none"> • Check that the burning pot is seated properly and clean • Check that there are pellets in the tank and burning pot • Try switching it on with a solid ecological igniter (contact the technician beforehand and follow the instructions of the igniter supplier very carefully). <p>The operation must be regarded purely as a trial under the technician's guidance.</p>
A05	Shutdown due to air flow rate sensor breakage	<ul style="list-style-type: none"> • Contact the technician
A06	displays when the logic board determines that the fumes thermocouple is broken or disconnected	<ul style="list-style-type: none"> • Contact the technician
A07	Shut-down due to exceeding maximum fumes temperature.	<ul style="list-style-type: none"> • Check the type of pellet (contact the technician if in doubt) • contact the technician
A08	Switching OFF due to excessive overheating of the product	<ul style="list-style-type: none"> • see A07
A09	Shutdown due to gearmotor failure.	<ul style="list-style-type: none"> • Contact the technician
A10	Switching OFF due to circuit board overheating.	<ul style="list-style-type: none"> • Contact the technician
A11	Switching OFF due to the intervention of the safety pressure switch.	<ul style="list-style-type: none"> • Ensure the product and flue are clean • Contact the technician

MESSAGE	PROBLEM	SOLUTION
A12	Room temperature probe failure. The product is operating in manual mode.	<ul style="list-style-type: none"> • Contact the technician
A14	Ducting room temperature probe (if present) fault. The product is operating in manual mode.	<ul style="list-style-type: none"> • Contact the technician
A20	Gearmotor fault switch-off	<ul style="list-style-type: none"> • Contact the technician

MESSAGES WHICH DO NOT SHUT THE STOVE DOWN, BUT ARE SIMPLY WARNINGS

LOW REMOTE CONTROL BATTERY LEVEL:

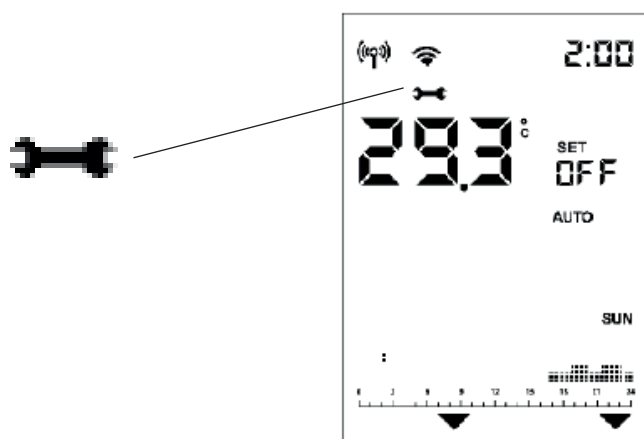
The battery symbol displays on the remote control display if the battery is low.



MAINTENANCE:

A spanner symbol will appear on the display after 2,000 hours of operation.

The product is working, but it must be serviced by an authorised Edilkamin technician.



LACK OF COMMUNICATION:

In case of a prolonged lack of communication between the stove and the remote control, the Bluetooth transmission icon ((Q)) will disappear as well as the icons transmitted by the circuit board to the remote control. Only the room temperature and the time will remain visible.

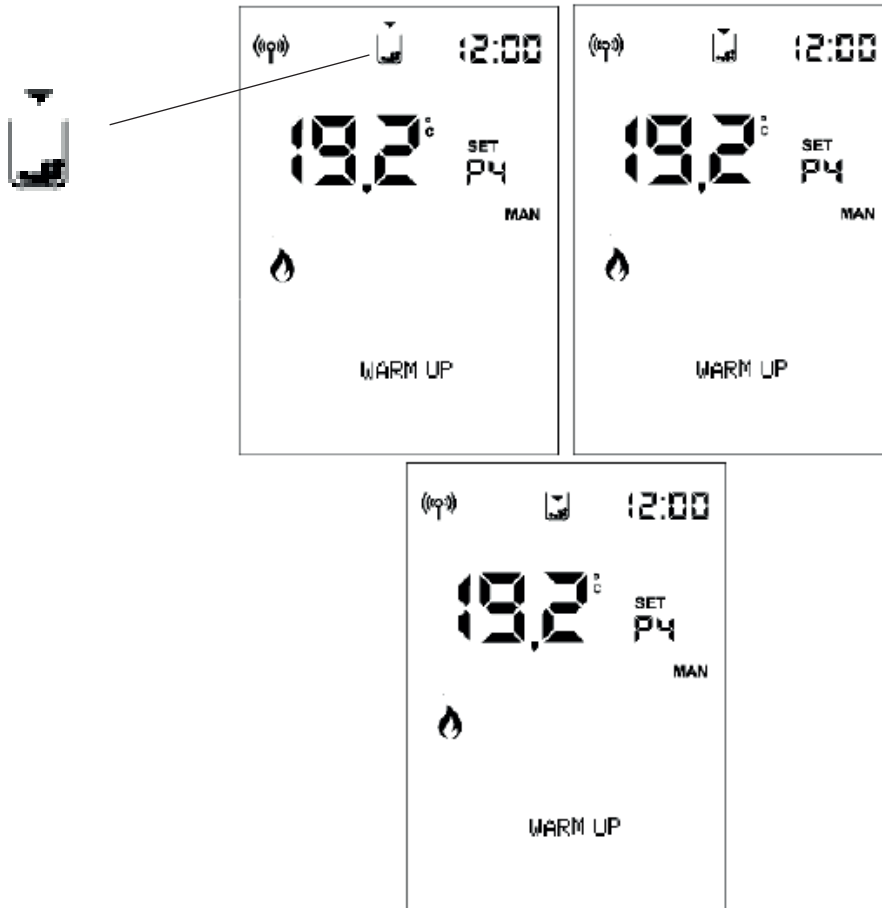


The Wi-Fi transmission icon will only be present if there is a connection between the circuit board and the Wi-Fi router.

PELLETS RESERVE INDICATOR:

The function is only available if the pellet level sensor is installed and has been activated.

When the level sensor intervenes, the circuit board emits a single “beep” (in any switch-on or work status) and the moving reserve symbol will appear on the display.



The arrows will light up in sequence to signal the need for pellet loading.

The ignition frequency is roughly 0.5 seconds.

After an interval of roughly 20/30 minutes, which varies depending on the model, the stove switches off due to a shortage of pellets.

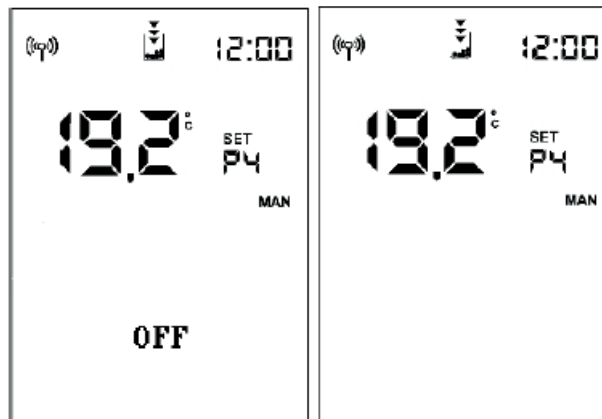
If the user reloads the stove before the start of the switch-off procedure, the symbol disappears and the stove resumes its normal operation.

If the user fails to reload the stove before the start of the switch-off procedure, the stove switches off and the tank symbol remains steady lit with the 3 arrows on until the next reloading operation.

When the reserve symbol is present, the stove cannot be restarted.

After reloading the pellets, the stove must be restarted manually.

If the pellets are reloaded and there is an ignition request coming from the timer, the stove will restart.

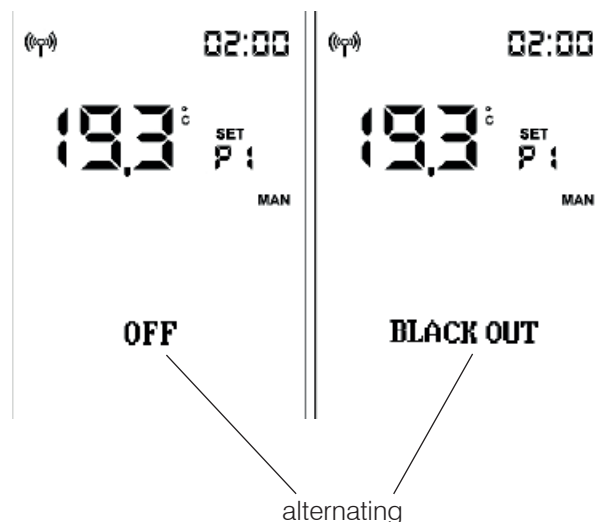


If the sensor intervenes:

- with the stove OFF or in Initial Cleaning mode (following manual emptying of the tank), the final symbol will immediately appear and the stove cannot be switched on;
- during the ignition phase, the ignition sequence will be completed even if it lasts more than the 20/30 minutes of residual autonomy.

If the pellets are not reloaded, the stove will then switch off.

During a switch-off following a **BLACKOUT**, the display will alternately show the words “Black-Out” and “OFF”. Once the switch-off has been completed, the product will remain off and “Black-Out” will appear.



The names of Edilkamin official, authorised technical assistance centres (TAC) and distributors are available ONLY at www.edilkamin.com



www.edilkamin.com

code 942422-GB 05.22/B