

HAAAS  
+  
SOHN

## Mayfair 347.17 C

---

**Equipment sheet**  
Fireplace stove

**GB**

# Notes in the text



Of utmost importance there are the notes entitled **WARNING**. The notes entitled **WARNING** advise you on **serious danger of damage to the heating device or of an injury**.



The note entitled **Notice** advises you on possible damage to your heating device.



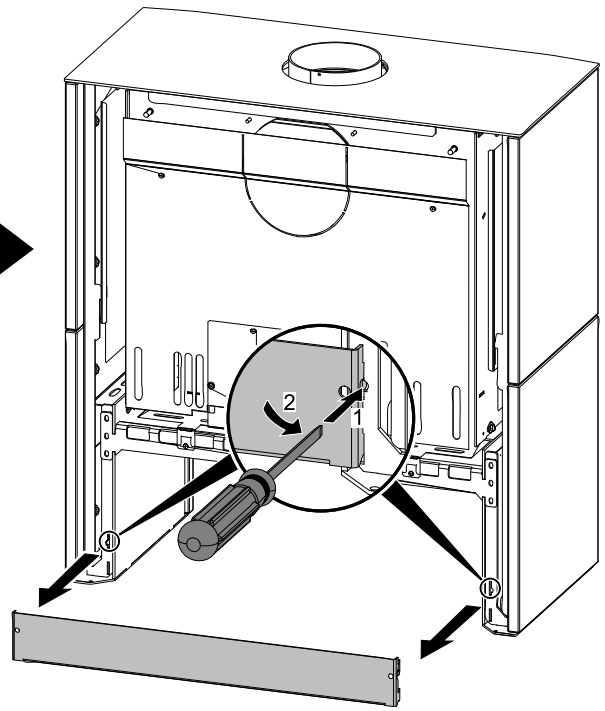
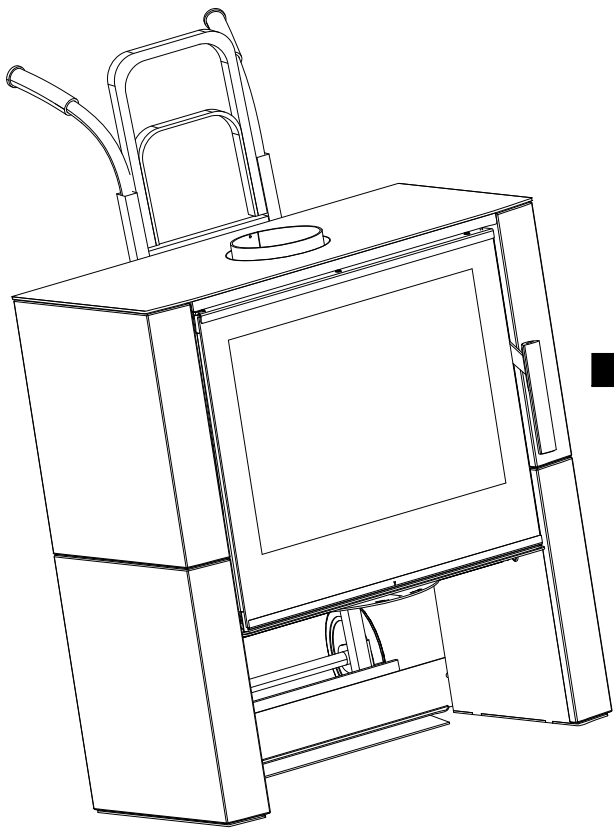
The note entitled **Important** calls your attention to the information important for the operation of your heating device.



The note itself calls your attention to the information important for the operation of your heating device in general.

# Contents

<b>1. Technical data</b> .....	1
1.1. Suitable fuel, stoking amount of fuel .....	1
<b>2. Technical description</b> .....	2
<b>3. List of spare parts</b> .....	3
3.1. Overall scheme of the model .....	3
3.2. Detail A1 .....	5
<b>4. Change of the smoke neck</b> .....	6
<b>5. Conversion of the external air input</b> .....	7



# 1. Technical data

	Block wood	
	Nominal output	Partial output 50 %
Achievable heat output	8,2 kW	4,1 kW
Nominal heat output	8 kW	
Energy efficiency	80,1 %	82 %
Average concentration of CO at 13% O <sub>2</sub>	977 mg/Nm <sup>3</sup>	1097 mg/Nm <sup>3</sup>
Average concentration of dust at 13% O <sub>2</sub>	22,5 mg/Nm <sup>3</sup>	28 mg/Nm <sup>3</sup>
Average concentration of NOx at 13% O <sub>2</sub>	98 mg/Nm <sup>3</sup>	136 mg/Nm <sup>3</sup>
Average concentration of OGC at 13% O <sub>2</sub>	60,5 mg/Nm <sup>3</sup>	33 mg/Nm <sup>3</sup>
Average concentration of CO at 0% O <sub>2</sub>	661 mg/MJ	811 mg/MJ
Average concentration of dust at 0% O <sub>2</sub>	15,3 mg/MJ	21 mg/MJ
Average concentration of NOx at 0% O <sub>2</sub>	66,5 mg/MJ	101 mg/MJ
Average concentration of OGC at 0% O <sub>2</sub>	41 mg/MJ	24 mg/MJ
Amount of combustion products at nominal output	6,5 g/s	—
Temperature of combustion products in the smoke flue neck	315 °C	—
Minimum draft of the chimney at nominal heat output	12 Pa	9 Pa

## Safety distances

Minimal distances from flammable materials:	side:	40 cm
	rear:	40 cm
	front (radiation area):	80 cm

## 1.1. Suitable fuel, stoking amount of fuel

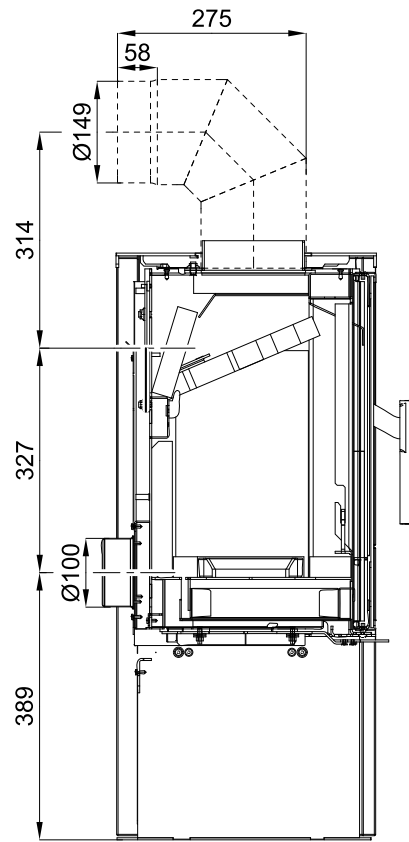
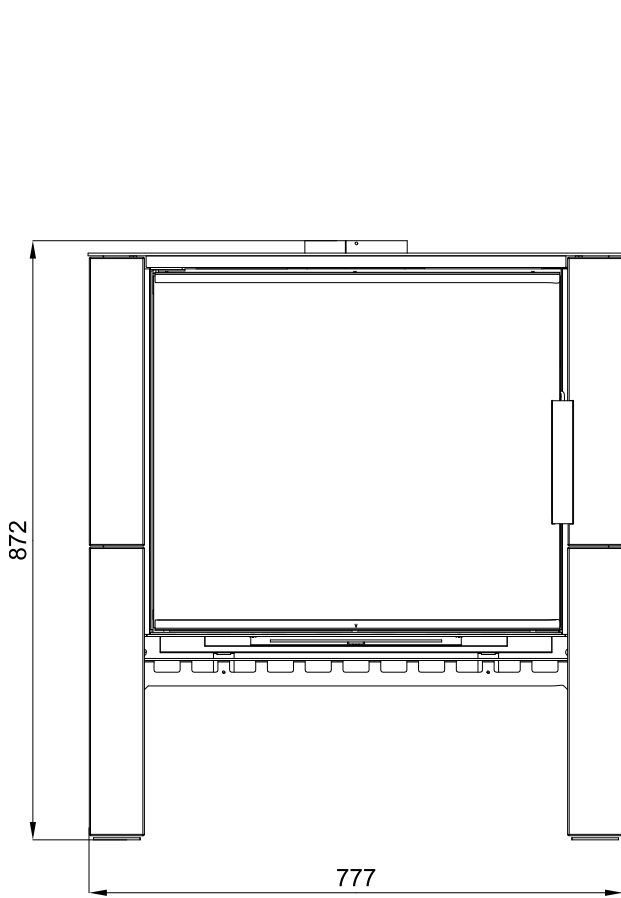
Fuel:	Max. stoking amount of fuel
Block wood:	2 - 3 logs (max. 2,5 kg)
Length of wood logs:	Max. 50 cm
Saw-dust briquettes (DIN51731):	1 - 2 wooden briquettes (max. 2.2 kg)
Lignite briquette:	2 - 3 brown-coal briquettes (max. 1.6 kg)

### Note

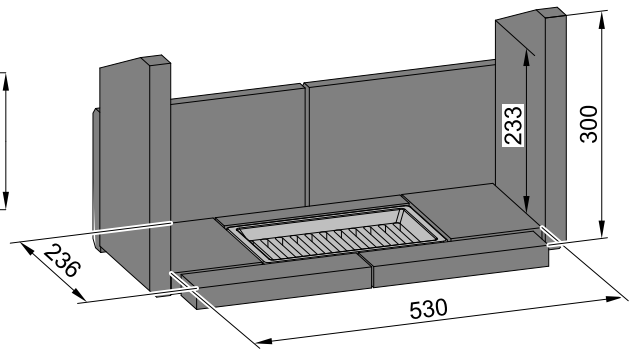
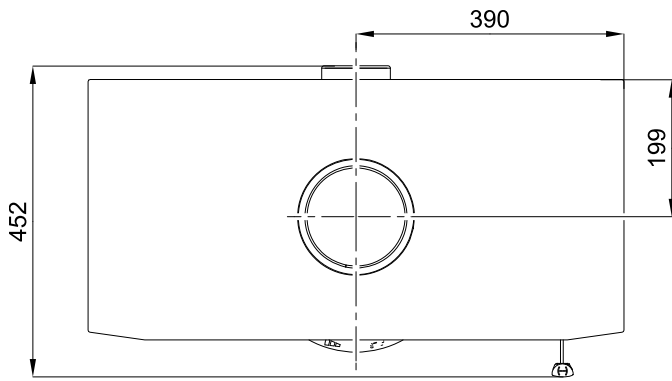
When heating with wood stock, employ solely the types of wood which have been stored for two years and their residual humidity is at most 17 %.

# 2. Technical description

Technical description

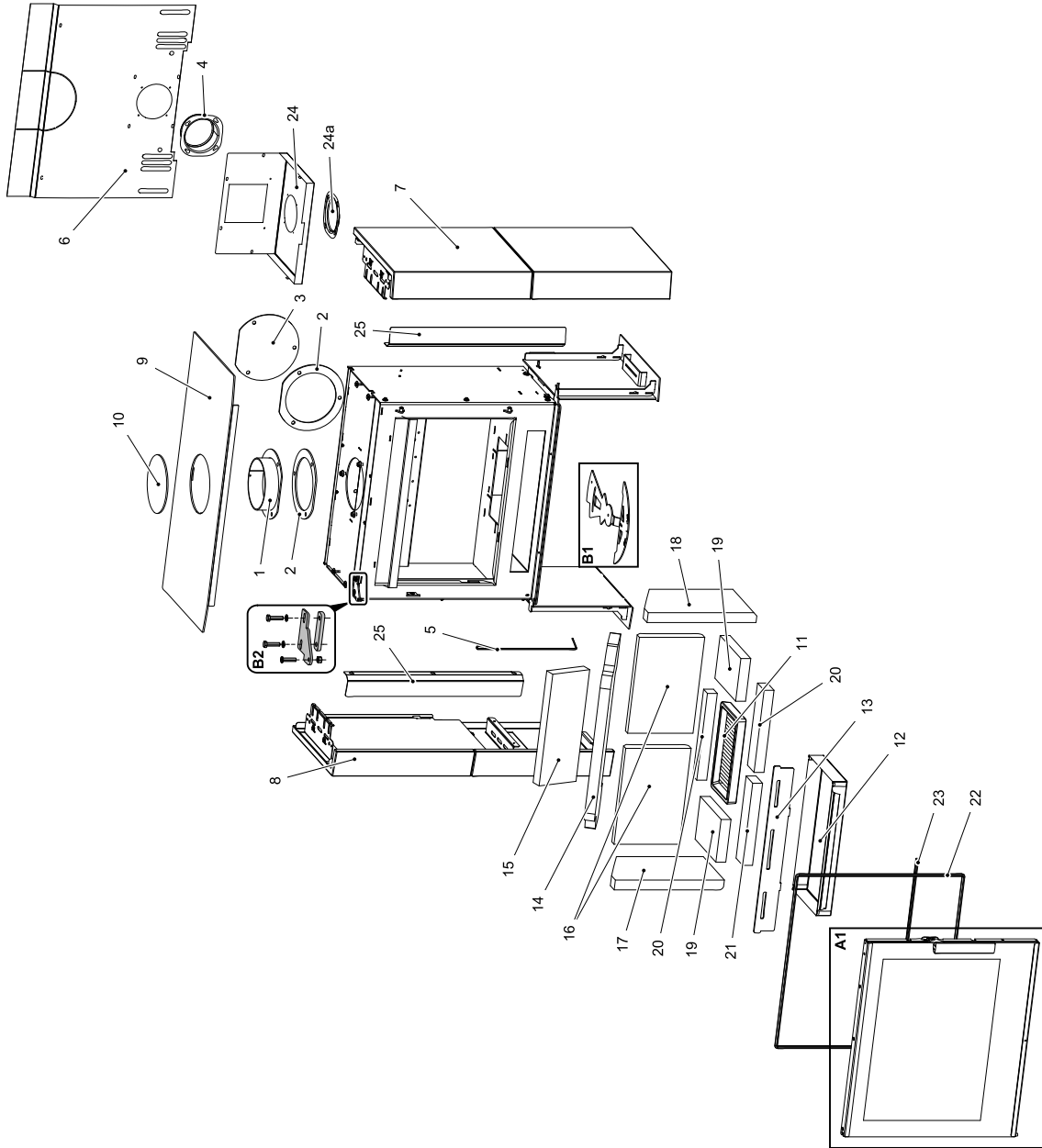


GB



# 3. List of spare parts

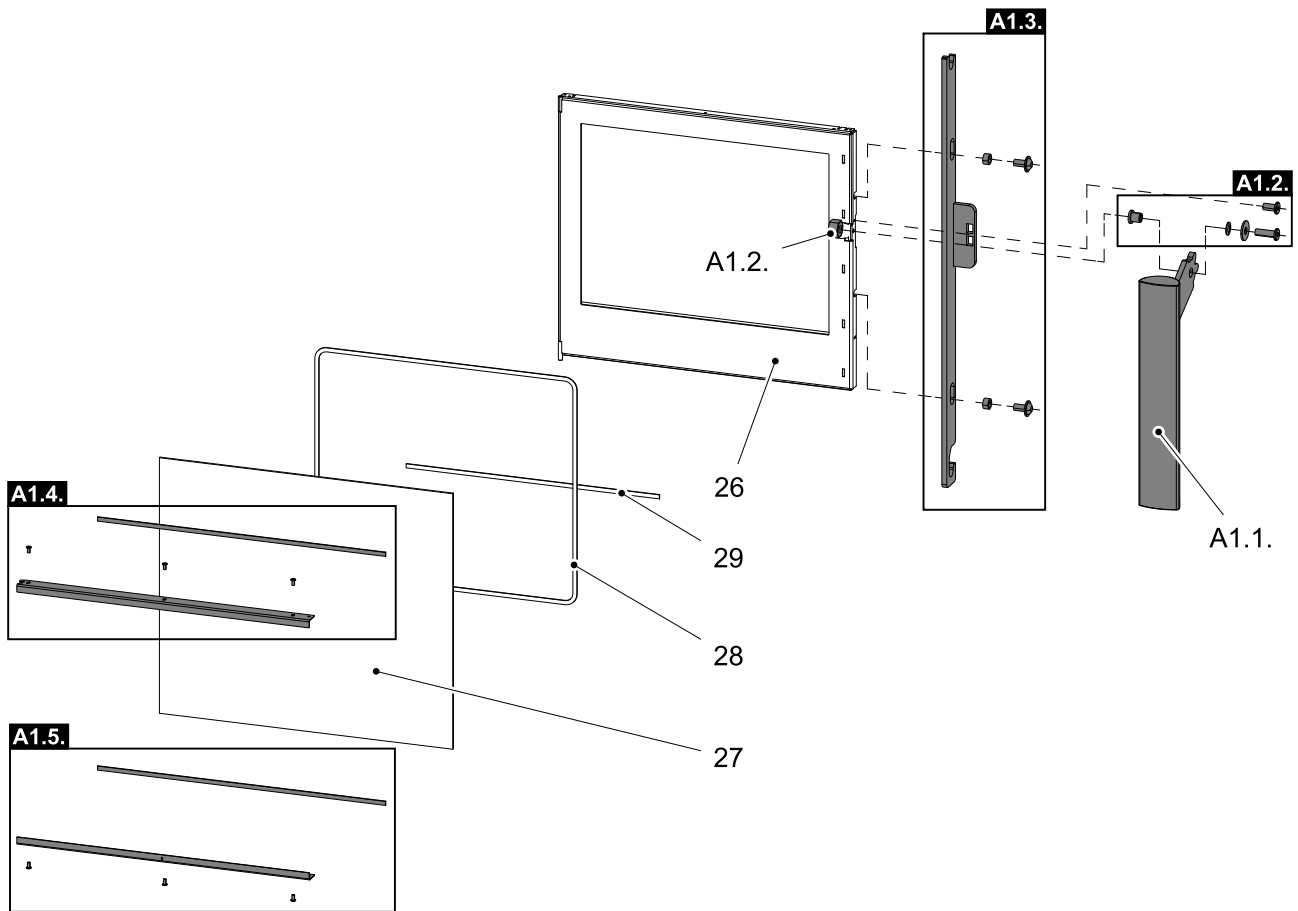
## 3.1. Overall scheme of the model



Item	Name	Quantity	Number of goods
<b>Overall scheme of the model</b>			
<b>A1</b>	Fire-box door (complete)/black	1 piece	0434715015300
<b>B1</b>	Easycontrol – set	1 piece	0434715566023
<b>1</b>	Smoke flue neck/black	1 piece	0434215005049
<b>2</b>	Smoke flue sealing	2 piece	0429415005060
<b>3</b>	Smoke flue blind flange/black	1 piece	0429415005048
<b>4</b>	External air input (Ø100)	1 piece	0088500050008
<b>5</b>	Door spring	1 piece	0434715005316
<b>6</b>	Rear cover	1 piece	0434715505040
<b>7</b>	Lateral lining C right/anthracite-metallic	1 piece	0434717005100
<b>7</b>	Lateral lining C right/metal wet-aged	1 piece	0434717015100
<b>8</b>	Lateral lining C left/anthracite-metallic	1 piece	0434717005110
<b>8</b>	Lateral lining C left/metal wet-aged	1 piece	0434717015110
<b>9</b>	Cover plate/black	1 piece	0434717005800
<b>10</b>	Upper blind flange/black	1 piece	0434715105023
<b>11</b>	Grate/black	1 piece	0020100130005
<b>12</b>	Ashpan	1 piece	0434715005700
<b>13</b>	Protection/black	1 piece	0434715015013
<b>14</b>	Screen loose (560x240x30)	1 piece	0434715005510
<b>15</b>	Screen loose – rear (340x130x30)	1 piece	0434715005507
<b>16</b>	Brick 198x292x30	2 piece	0434715005501
<b>17</b>	Brick 330x193x30	1 piece	0434715005503
<b>18</b>	Brick 330x193x30	1 piece	0434715005509
<b>19</b>	Brick 130x190x30	2 piece	0434715005504
<b>20</b>	Brick 264x35x30	1 piece	0434715005505
<b>21</b>	Brick 250x60x30	2 piece	0434715005506
<b>22</b>	Door sealing cord - 10 mm (2050 mm)	1 piece	0040300100005
<b>23</b>	Door sealing cord - 10 mm (510 mm)	1 piece	0040300100005
<b>24</b>	Shading	1 piece	0434715505028
<b>24a</b>	Blind flange	1 piece	0088500070005
<b>25</b>	Lateral lining/black	2 piece	0434717005001



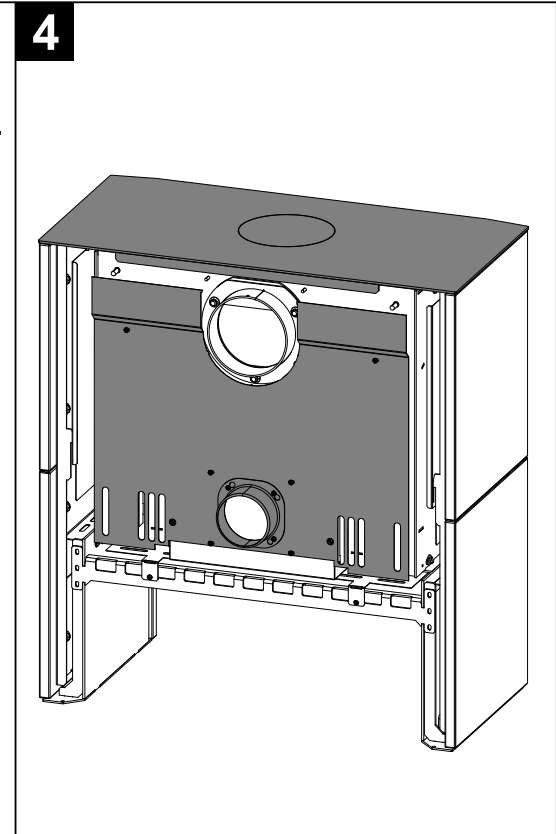
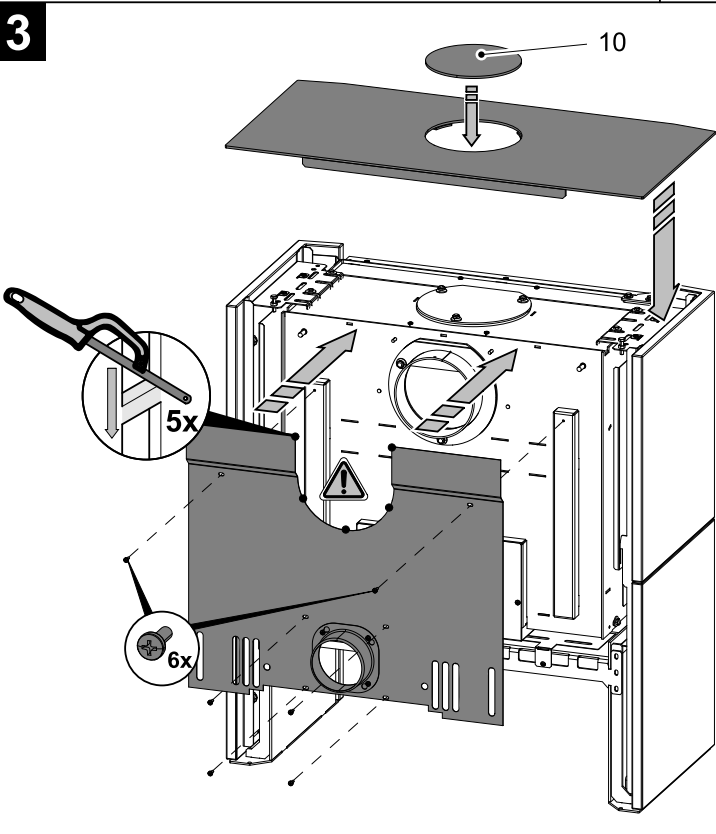
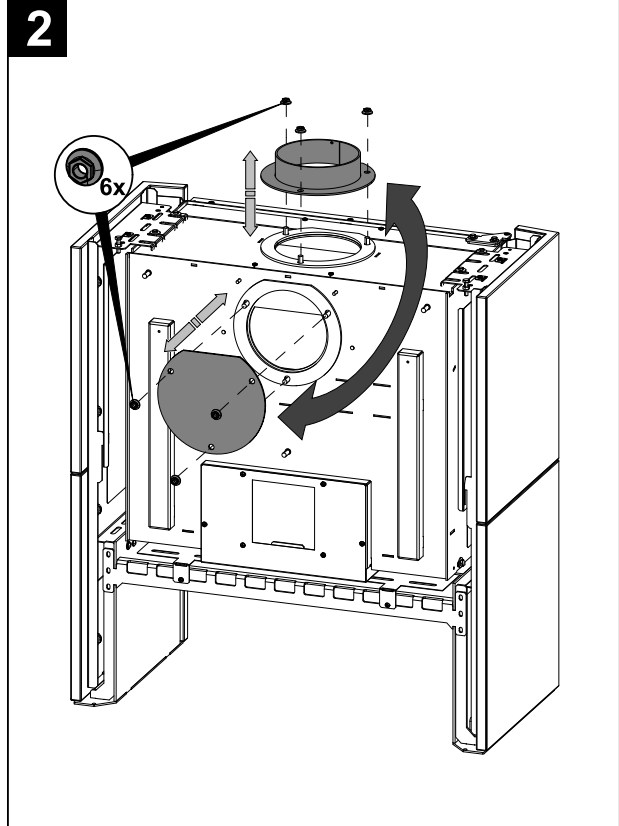
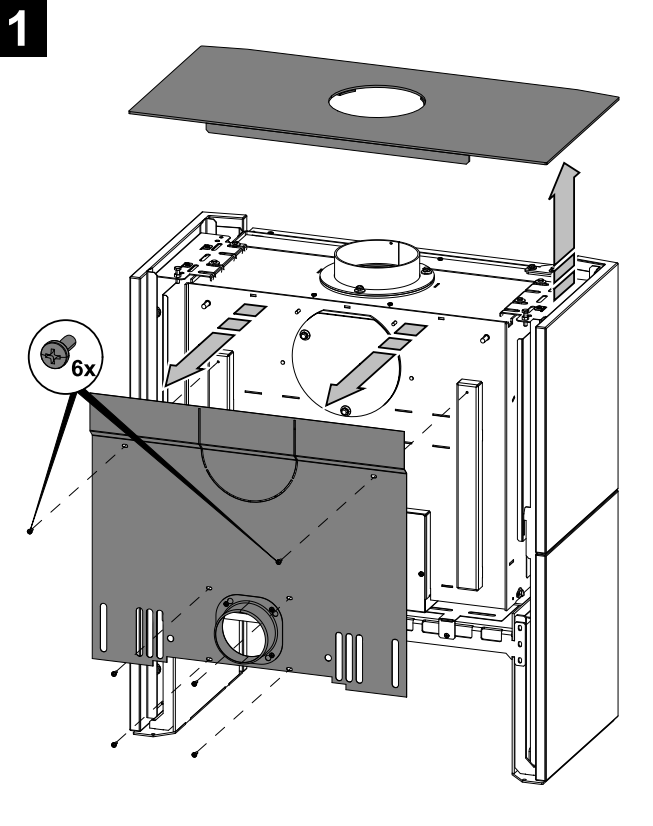
### 3.2. Detail A1



Item	Name	Quantity	Number of goods
<b>Detail A1</b>			
<b>A1.1.</b>	Fire-box door lever lock (complete)	1 piece	0434715006320
<b>A1.2.</b>	Handle connecting material — set	1 piece	0434715005012
<b>A1.3.</b>	Closing mechanism drawbar — set/black	1 piece	0434715008325
<b>A1.4.</b>	Upper glass holder — set/black	1 piece	0434715006311
<b>A1.5.</b>	Lower glass holder — set/black	1 piece	0434715006310
<b>26</b>	Fire-box door (welded part)/black	1 piece	0434715006200
<b>27</b>	Refractory glass (512x591)	1 piece	0434715005301
<b>28</b>	Glass sealing cord - 6 mm (1950 mm)	1 piece	0040406000006
<b>29</b>	Glass sealing cord - 6 mm (510 mm)	1 piece	0040406000006

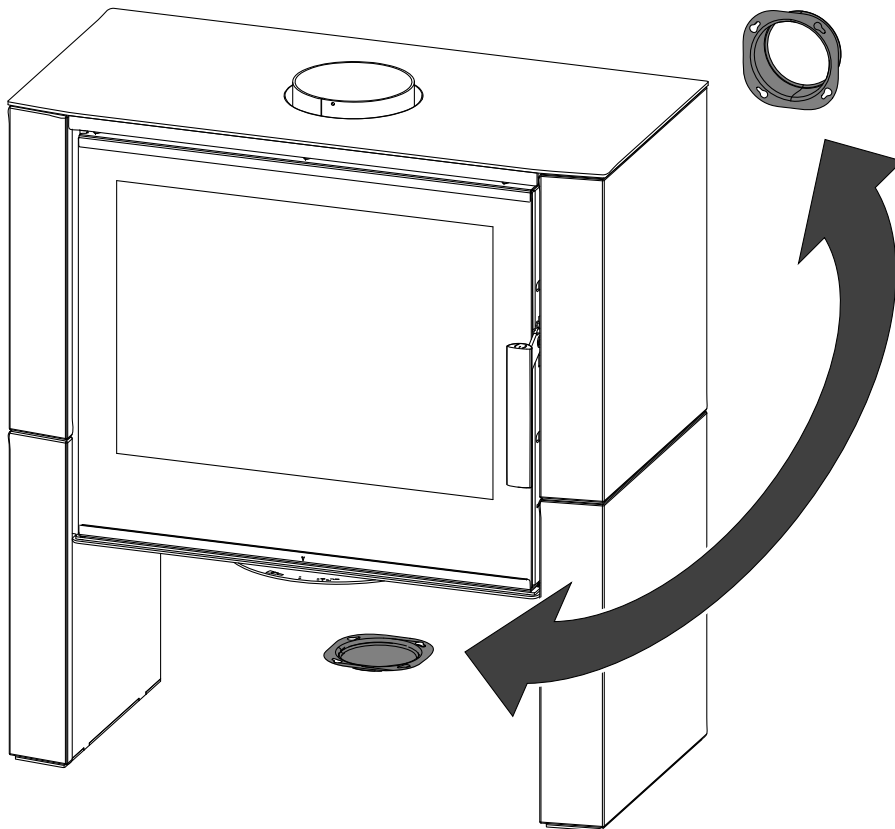
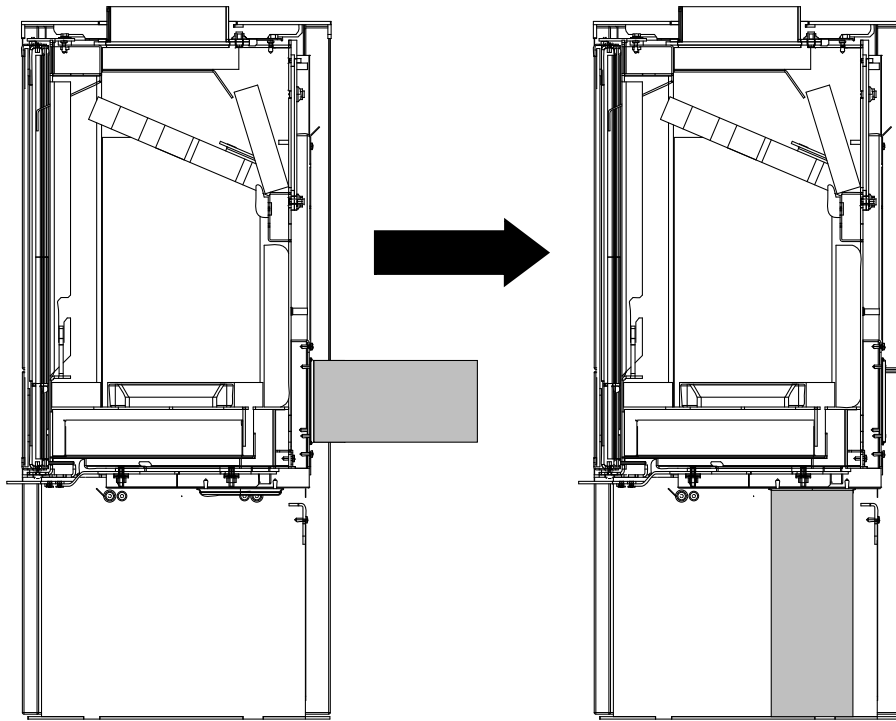
# 4. Change of the smoke neck

Change of the smoke neck



GB

# 5. Conversion of the external air input



Conversion of the external air input

GB