

Assembly and installation instructions ADONIS**Room for type designation and manufacturing number:**

Transfer from nameplate

Equipment type:

Manufacturing number:

Test no. insert: RRF-40 12 3013**Our supply program:****Oil stoves**

Fireplaces

Pellet stoves

Tiled and slow-burning stoves for wood and coal

Slow-burning stoves and auxiliary stoves for wood, coal and oil

Fireplace inserts for wood

Accessories for stove and fireplace

Accessories for central oil supply

**Haas+Sohn
Ofentechnik GmbH**
Urstein Nord 67
A-5412 PucheMail: office@haassohn.com
<http://www.haassohn.com>**Sales and distribution in Germany**
Haas+Sohn Ofentechnik GmbH
Herborner Straße 7-9
D-35764 Sinn
eMail: info@haassohn.com

1 PRELIMINARY REMARKS

Please read the assembly and operating instructions of your fireplace insert before these installation instructions.

The following are additional parts of these installation instructions:

- * “Equipment sheet complete”,
- * installation instructions of the fire protection insulating set if applicable.

When unpacking the concrete elements, possible irregularities (cracks or joints) can be detected if applicable, these should be filled with the enclosed adhesive.

2 PREREQUISITES

The load-carrying capacity of the floor must always be clarified before installing your fireplace kit. The total weight of the complete fireplace kit (fireplace with refractory lining and the artificial stone lining) can amount to approximately 440 to roughly 450 kg depending on the model. With wooden beam ceilings it is essential to consult a structural engineer.

Important: Observe the regulation of the fire protection authorities and the national construction regulations applicable at the place of installation when installing your fireplace kit: In particular, flammable walls (e.g. wooden walls) or supporting walls made of reinforced concrete must be protected from excessive heating. To screen flammable or structurally sensitive components from impermissible exposure to heat, a fire protection insulating set is available as accessory to your fireplace kit. This set includes several screen panels. We recommend attaching this fire protection insulating set also with non-flammable walls.

3 TOOLS

For the installation of the artificial stone lining you will require the following tools:

- | | | |
|---------------------|-----------------|--------------------------------|
| – Water level | – rubber hammer | – open-end wrench size
13mm |
| – Steel square 90 ° | – Pencil | – Paint roller |
| – Trowel | – Sponge | – gun |

4 MATERIAL

- | | | |
|-----------|-----------------------|---------|
| – Paint | – Plaster if required | – Water |
| – Acrylic | | |

5 KIT INSTALLATION

1. Carefully unpack the artificial stone lining including accessories. Check your kit for completeness using the enclosed parts list. Sort the parts in accordance with the installation sequence (see parts list text and illustration).

2. When using the fire protection insulating set, mount the two rear wall screen panels (see installation instructions of the fire protection insulating set) to the rear wall of the fireplace.
3. Adjust the fireplace to the correct height using the open-end wrench size 13mm by turning the adjustable feet. The ideal height is shown in Figure 4. For comparison, install the base with the base plate. The lower edge of the panel with air damper on the fireplace can end flush with the sub-structure of the concrete lining or be approximately 1 to 2 mm higher (Attention: The gluing will result in a minimal change of the overall height: however it is possible to subsequently adjust the correct height by turning the adjustable feet).
4. In addition to this the distance to the screen wall must be adjusted to the correct dimension (see Figure 4).

Important: After this, adjust the fireplace horizontally using the water level.

5. Locate the flue pipe connection (e.g. with double wall lining) in the chimney (see installation and operating instructions of the fireplace).
6. Now start installing the kit.

6 INSTRUCTIONS

It is not permissible to install the kit by gluing the elements together without protecting the fireplace hood against slipping!

Following the installation, place the refractory lining in the fire chamber of your fireplace (see equipment sheet of your fireplace). Why refractories last? Because the fireplace can be easier repositioned while assembling the artificial stone kit.

To avoid minor joints between the kit and the wall we recommend to grout these with acrylic compound (in contrast with silicon, acrylic can be painted over immediately).

Once the fireplace kit has dried, the fireplace can be painted (mineral-based paint, no depth primer required). In order to achieve a fine-grain structure, simply mix some adhesive into the paint for the first coat. Use only paint for the second coat. Of course roll-on or rub-on plasters can also be used to finish the surface.

Allow the fireplace kit to dry for at least two weeks before initial start-up.

To start the fireplace: Carefully read the operating instructions and start the fireplace using little wood. After approximately one hour the device can be heated to rated heat.

!

Artificial stone kit – ADONIS – Parts list

Item No.	No.	Quantity	Designation	Finish	Material
	1	1	Base plate	Artificial stone	Artificial stone
	2	1	Lateral part left	Artificial stone	Artificial stone
	3	1	Front plate	Artificial stone	Artificial stone
	4	1	Lateral part right	Artificial stone	Artificial stone
	5	1	Fireplace hood bottom	Artificial stone	Artificial stone
	6	1	Fireplace hood top	Artificial stone	Artificial stone
	7	1	Base plate front	Artificial stone	Artificial stone
	8	1	Assembling aid	Artificial stone	Artificial stone
	9	1	Wood storage compartment	Artificial stone	Artificial stone
	10	1	Air grill	Steel plate	Steel plate
	11	1	Air grill	Steel plate	Steel plate
	12	1	Protective metal sheet	Steel plate	Steel plate
	13	2	Lens head screw M6x10		
	14	1	Adhesive		

Installation instructions artificial stone kit ADONIS

Note: Prior to installation, check the exact position of the insert. Always ensure that the components are installed level and plumb.

1. First install the lateral components of the fireplace kit in the dry state. Check to see if the elements are level and plumb. Then mark the correct position using the pencil.

Remove all elements again and re-join in the sequence using the tile adhesive.

2. Mix the supplied adhesive (safety adhesive) with water until it has a consistency similar to toothpaste. Glue all elements together and to the wall. Clean and lightly moisten the bonding surface to achieve optimum adhesive strength. Remove excess adhesive with the trowel and a moist cloth. Now the joints compensated with acrylic.

3. Once the kit has been finish painted, remove the assembling aid.

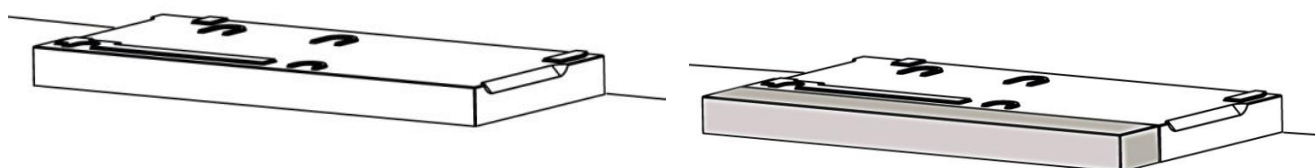


Figure 1+2: Position base plate insert and the base plate front

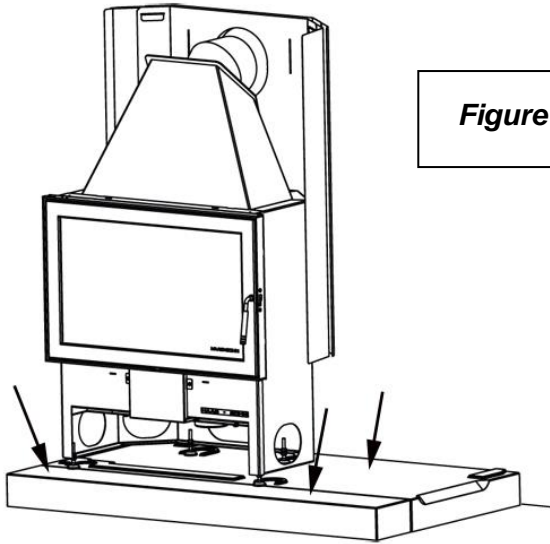


Figure 3+4: Position fireplace insert

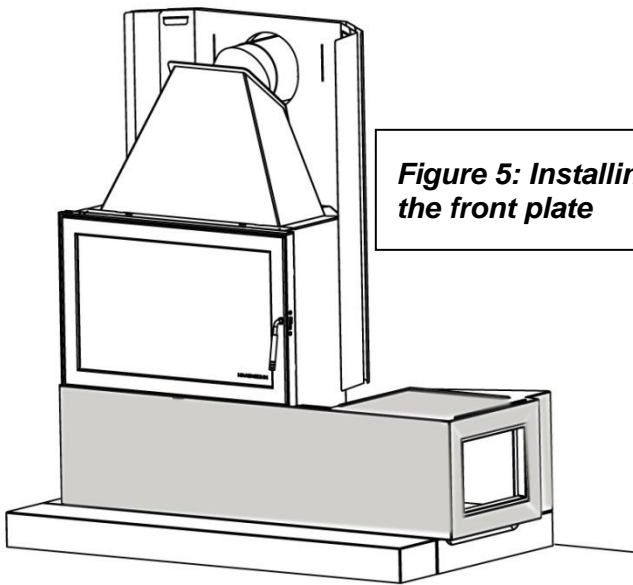
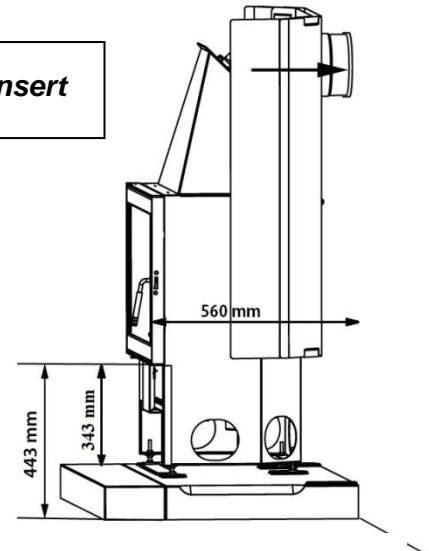


Figure 5: Installing the front plate

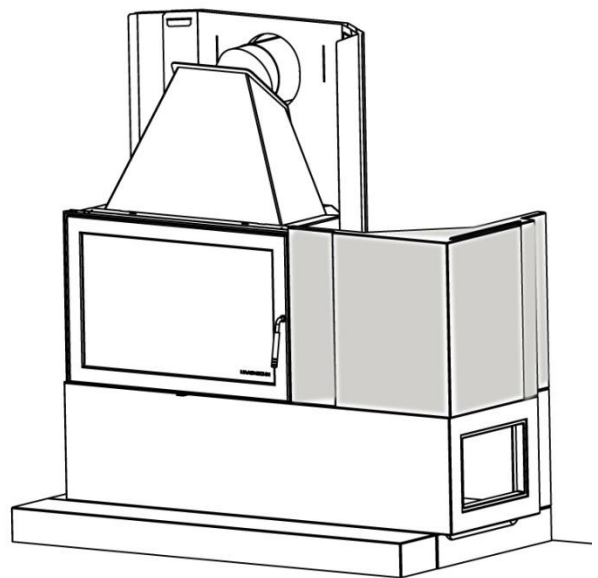


Figure 6: Installing the lateral part right.

Model with the wood storage compartment:

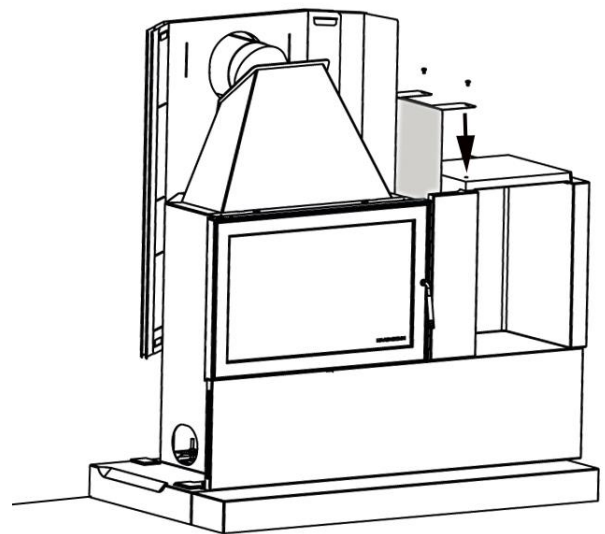
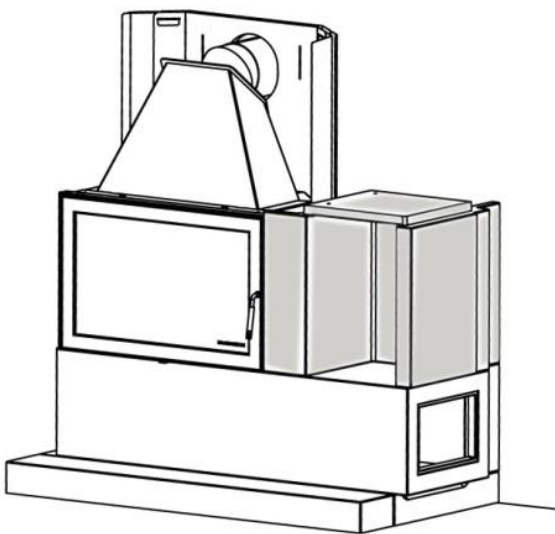


Figure 7+8: Installing the wood storage compartment and the protective metal sheet

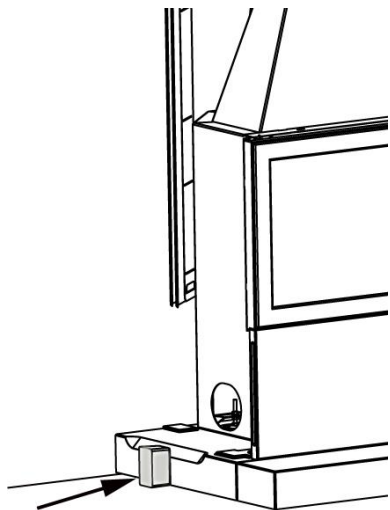


Figure 9 +10: Installing the lateral parts left with assembling aid

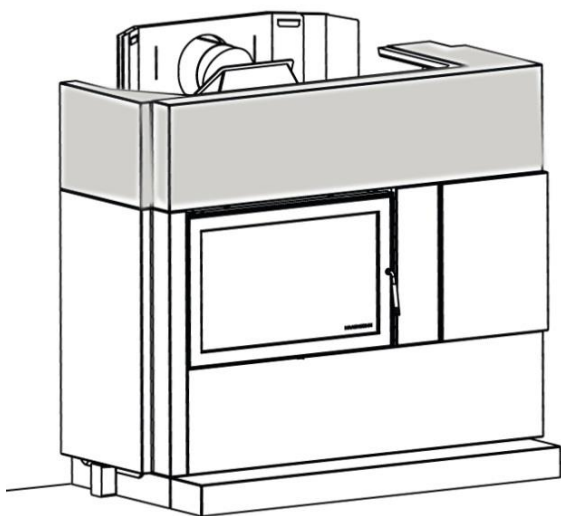
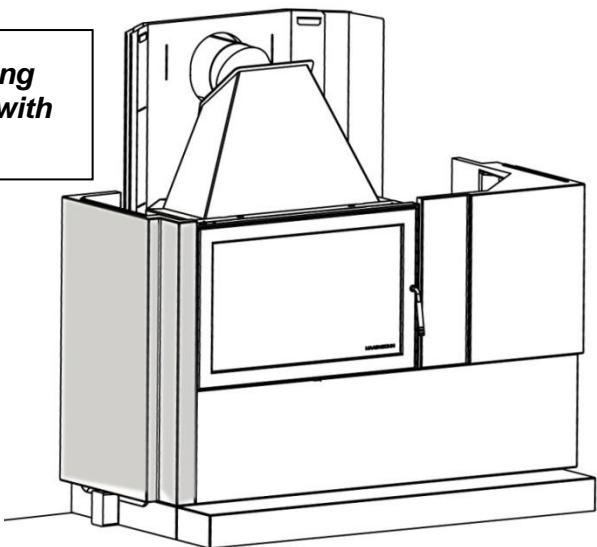


Figure 11+12: Installing the fireplace hood bottom and top

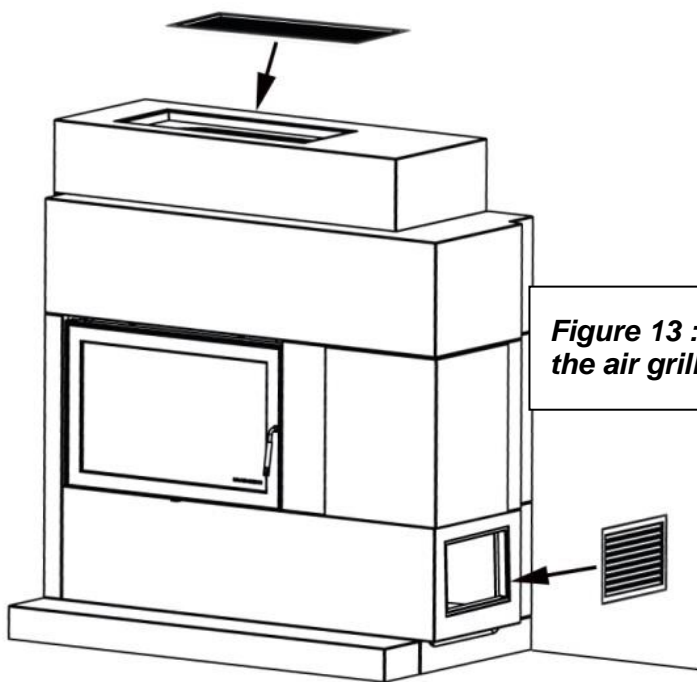
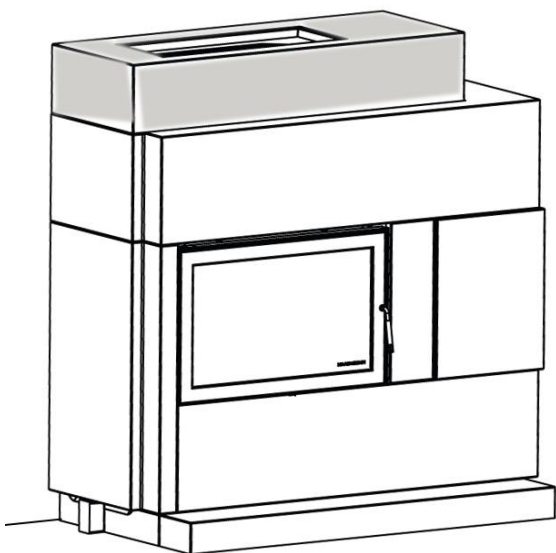


Figure 13 :Installing the air grills

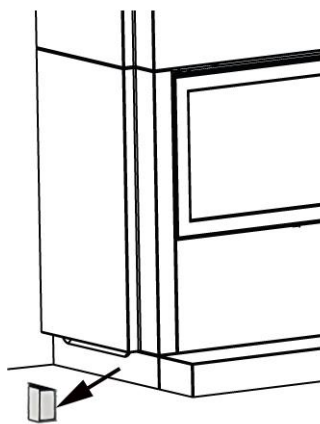
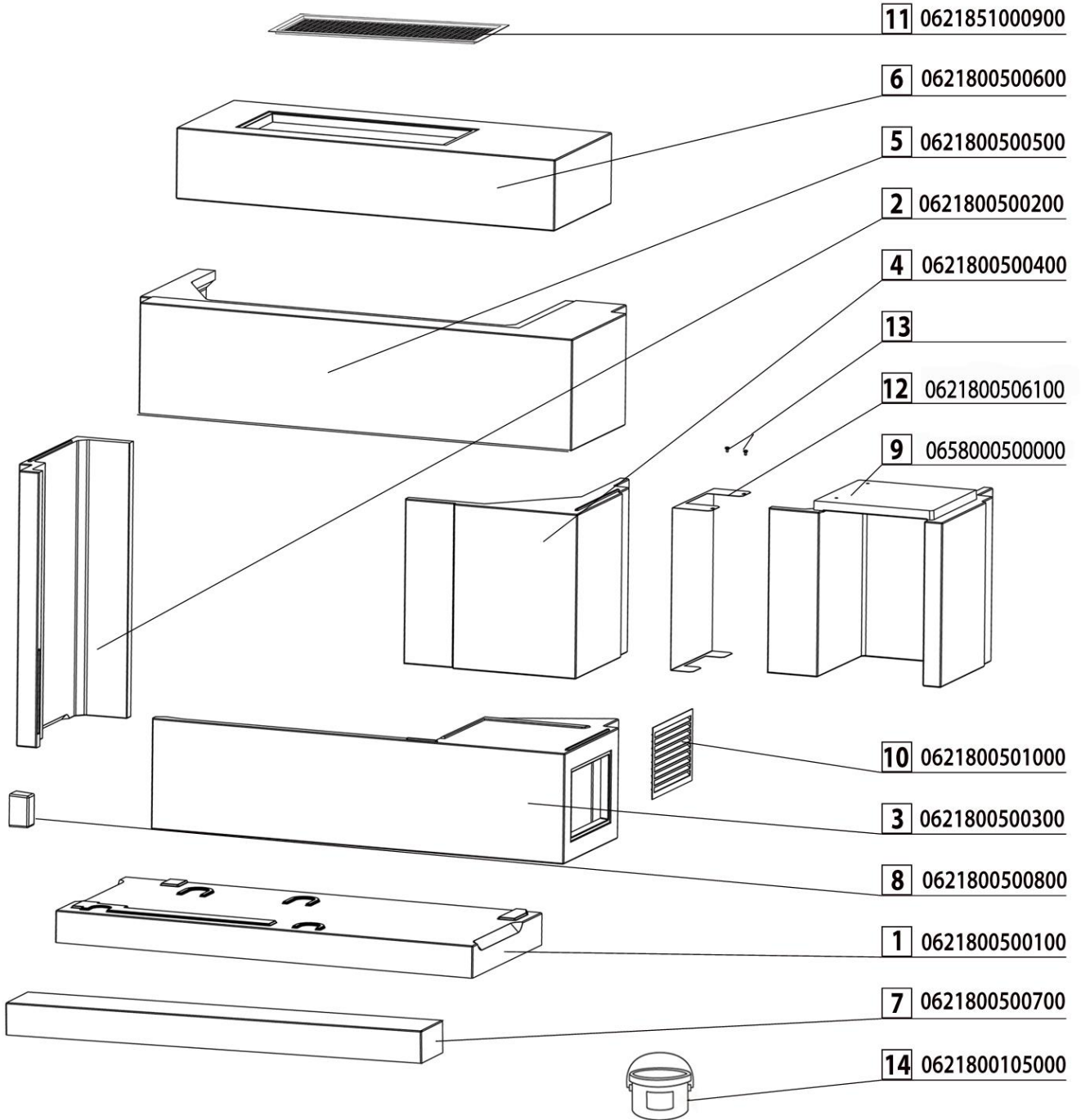
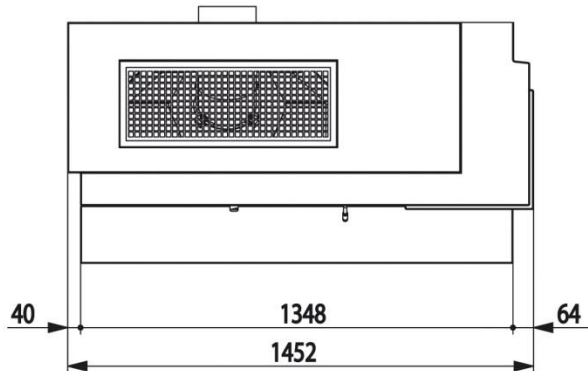
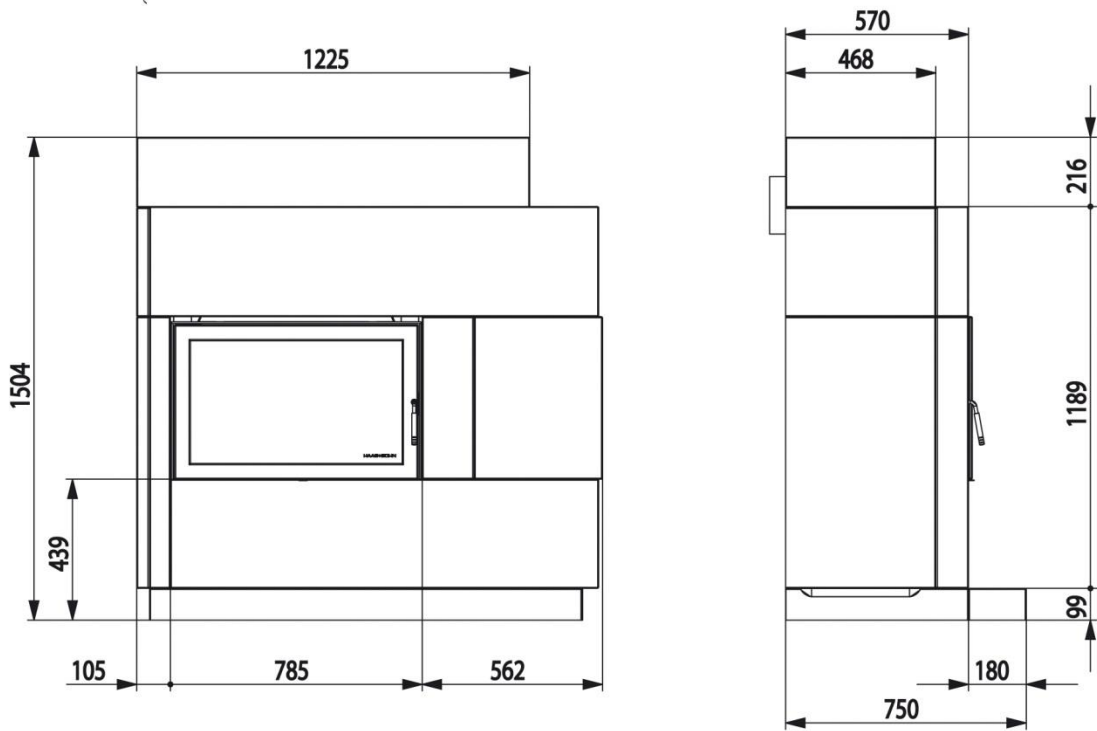


Figure 14: Remove the assembling aid

Adonis





Model with the wood storage compartment:

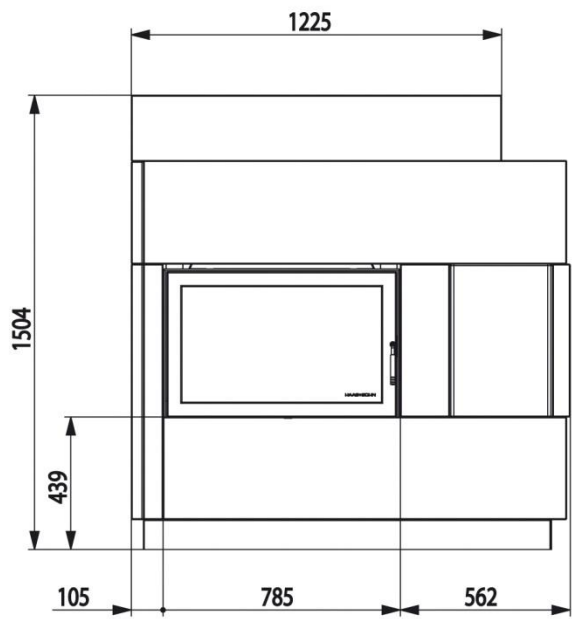


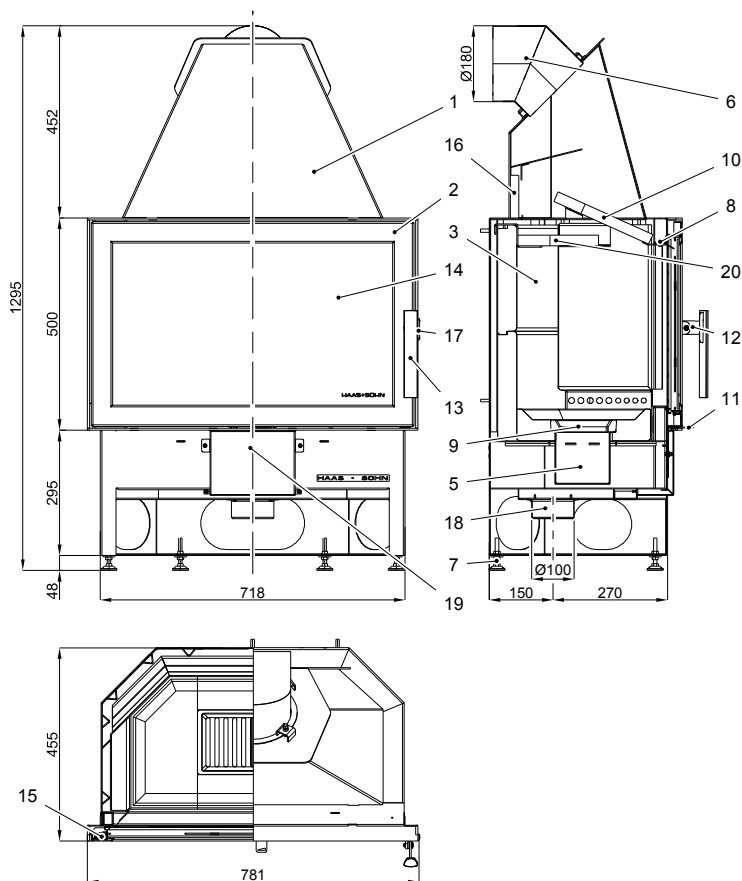
Figure 15: Dimensions

We wish you much pleasure with your fireplace kit by



Art. Nr. 0618018109031
V17 D28

Complete product information, „HAAS+SOHN KOMFORT IV 180.18-AL“



No.	Product no.	Description
1		Body of the stove
2	0618018105300	Door to the combustion chamber
3		Refractory
5	0618018005600	Ashpan
6	0618018015002	Supports for the exhaust flue
7	0089000020005	Adjustable feet
8		Secondary air
9	0020100130005	Grate 260x152
10	0050500040005	Plate for diverting the exhaust Glases angled upwards
11		Air intake control
12	0618516075310	Fitting for the door handle
13	0420114005371	Door handle
14	0618018025301	Inspection window
15	0088400060005	Door spring
16	0050500050005	Insulating brick
17	0618018105035	Door latch
18	0088500050005	Socket for the pipe supplying air from outside Ø 100
19		Air duct
20	0618618005036	Bottom plate
	0040710100005	Seal door
	0040710100005	Seal glass

Installation of the combustion chamber liner:

Note: Labels with the short designations are attached to the mounting parts.

1. Install first row: first HSM (rear block centre) (top groove rearward), then rear blocks left and right (top groove rearward) and front blocks.
2. Insert bottom blocks 1, 2 and 3.
3. Insert ash pan (5) and grate (9).
4. Install second row: rear blocks and lateral blocks.
5. Insert insulating block (16) and draught deflector plate (10).

Installation of the insulating block: Insert insulating block (16) with the short edge into the upper sheet steel groove (see drawing) and let slip into the lower sheet steel groove.

Assembly of thrust reversal plates: insert the thrust reversal plate (Z) askew (chamfered edges at the back) and put it on the side metal angle bar; then lift the front edge and put it on the support metal sheet.

Important: move the thrust reversal plate (Z) all the way forward!

Then suspend the retaining shackle on the side and at the back on the fireclay. Then put the thrust bottom plate (ZU) on the metal angle bar.

Important: After cleaning of the appliance, or before returning it to service, checks must be carried out to ensure that the baffle plates are in the correct position (see diagram).

Suitable fuels:

The following fuels are permitted for use in your wood burning stove (see also section 5.1):
Dry, well seasoned, unadulterated wood and wood briquettes which comply with DIN 51731

Description of the system for supplying the air needed for combustion:

The system for supplying the air needed for combustion in stove unit type 180.18-AL has three settings: the primary air is adjusted by means of the air intake control (11) with the handle in position 2 ('right') the primary air. I enters through the grate, and the primary air II enters through that area of the combustion chamber which is to wards the front of the stove. With the handle in position 1 ('middle') the primary air I only enters via the grate. The amount of secondary air is set at an optimum level for the unit to provide the necessary ventilation to keep the window clean and to provide the necessary air for secondary combustion; it is permanently adjusted for increased comfort. The pre-heated secondary air flows past the top end of the inspection window (8).

Air intake control	Primary air I	Primary air II	Use:
2 "right"	open	open	For use when it is heating up and after fuel has been added
1 "middle"	shut	open	In normal operation
0 "left"	shut	shut	Only for keeping the embers glowing

Connection for providing the air needed for combustion:

In airtight buildings there can be reduction in the oxygen content of the room in which the stove is set up; it must therefore be ensured that there is adequate ventilation. The stove unit type 180.18-AL therefore offers you the possibility of drawing in the air needed for combustion from outside. The stove can then be operated without having to depend on the air within the room. In order to do this the air from outside that is needed for combustion is supplied by means of a flexible pipe attached to the socket for the pipe (18). It is possible for you to change the position of the pipe socket to the left, right or rear of the stove unit. The end of the pipe carrying the air must be located in the open air, or in a well ventilated room situated within the building.

The amount of fuel and adjustment of the air intake control:

Lighting, and heating the appliance up: see sections 5.4, 5.5 and 5.6 in the instructions for use of the stove. Use the gloves provided to protect you against the heat when operating the air intake control. Before every addition of fuel, the air intake control is to be closed completely (handle setting 'left').

Brennstoffe	maximale Brennstoffmenge	Primärluft: Luftregler	Sekundärluft (ohne Regelung)
Scheitholz	2 - 3 Scheite (ca. 2 – 2,5 kg)	10 Minuten lang Hebelstellung „2“ (rechts), dann Hebelstellung „1“ (Mitte)	offen
Holzbriketts	1 Holzbrikett (2 kg)		

Tip for burning wood: Every time the stove is lit leave the appliance in the 'right' position until the fuel is burning well (around 10 minutes). (This time can vary somewhat depending on the amount of draught and the pressures involved).When adding fuel shut the air intake as indicated.



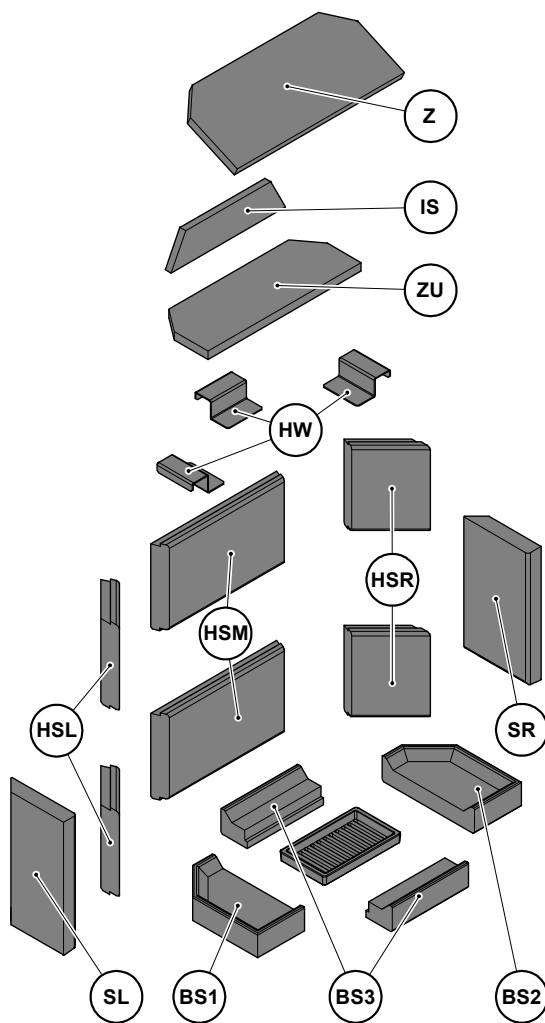
HAAS + SOHN OFENTECHNIK GMBH		
URSTEIN NORD 67 A-5412 PUCH		
Kamineinsatz Bauart : EN 13229-W / Zeitbrandfeuerstätte		
Typenbezeichnung:	180.18	
Variante:	Komfort – IV 180.18 AL	
Herstellnummer:	1303180800085	
Wärmeleistungsbereich:	3,9 - 8,3 kW	
Nennwärmeleistung	8,0 kW	
Zugelassener Brennstoff:	Holz, Holzbrikett nach - DIN 51731,	
Staub bez.auf 13% O ₂ : 22 mg/Nm ³	Wirkungsgrad: 80,3%	CO bez. auf 13% O ₂ : 0,10%
Abgastemperatur am Stutzen: 320°C	Nox bez. 13% O ₂ : 96 mg/Nm ³	HC bez. auf 13% O ₂ : 42 mg/Nm ³
Mindestabstände zu brennbaren Bauteilen:	seitlich:	siehe Aufstellungs-und
	hinten:	Bedienanleitung
	vorne im Strahlungsbereich:	80 cm
Prüf Nr. VKF:		Anbringungsjahr
Prüfstellenkennziffer: 1625 / Prüf Nr. RRF- 29 12 3110		2013
Lesen und befolgen Sie die Bedienungsanleitung!		
Mehrfachbelegung des Schornsteins ist zulässig		



Prüf. Nr.

Stove unit: Komfort IV 180.18-AL:	
RRF Oberhausen	RRF-29 12 3110
Kaminbausätze:	
stove „Alpes-II“,	RRF-40 06 1033
stove „Jura-II“:	RRF-40 06 1033
stove „Genf-II“	RRF-40 08 1686
stove „Adonis“	RRF-40 12 3013

Fitting the combustion chamber lining for the „HAAS+SOHN Komfort IV 180.18-AL“



Description	intems	Product no.
BS1 (stone 1)	1	0050110490005
BS2 (stone 2)	1	0050110500005
BS3 (stone 3)	2	0050110480005
SR (stone right)	1	0050110120005
SL (stone left)	1	0050110110005
HSM (stone middle)	2	0050110060005
HSR (stone right)	2	0050110070005
HSL (stone left)	2	0050110140005
IS (isulating brick)	1	0050500050005
Z (plate)	1	0050500040005
ZU (bottom plate)	1	0618618005036
HW (holder)	3	0618618005035

