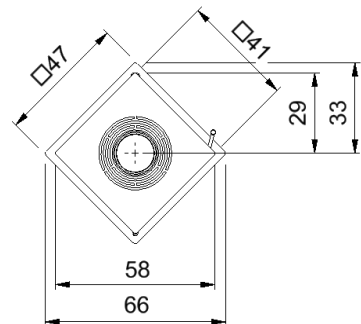
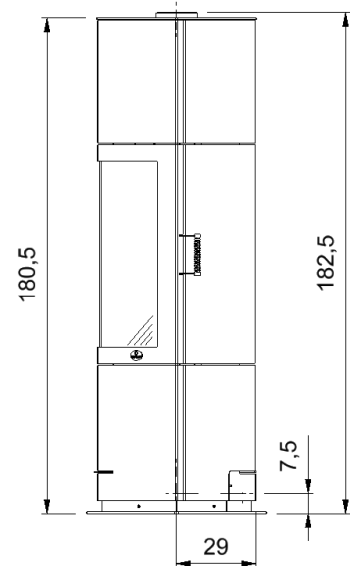
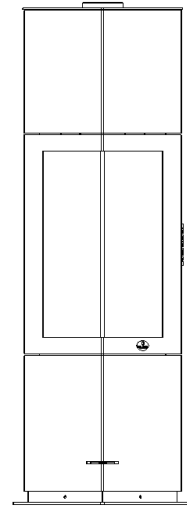


MÜNCHEN

**wood or pellet
without electricity**

Technical specifications of the two-sided vertical stove:

measurements (cm)	width	height	depth
stove	47	180,5	47
combustion chamber	27	68	27
fire glass	44	68	
fire door	58	80	
flue pipe connection Ø 15 to ↑			
height to pipe socket above			182,5
outside air connection Ø 10 to → or ↓			
height to mid connection horizontal			7,5
depth to mid connection vertical			29
total weight	chamotte bricks	heat accumulator	
292 kg	25,5 kg	49 kg	
data for	pellet box	wood	
nominal heat output	6,4 kW	10 kW	
output range	6,4 - 5 kW	11 - 7 kW	
efficiency	84%	78%	
heating capability*	35 - 100 m ³	70 - 210 m ³	
amount of fuel	2,2 kg	3,4 kg / h	
fire duration	up to 1,2 - 2 h	up to 0,8 - 1,6 h	
heat release	up to - 6 h	up to - 7 h	
flue gas flow volume	11,89 g/s	14,5 g/s	
exhaust °C (nozzle)	195 °C	290 °C	
min/max feed press.	12 / 15 Pa	12 / 15 Pa	
CO (13%/O ₂) [mg/m ³]	312	906	
CO (13%/O ₂) [%]	0,025	0,073	
dust (13%/O ₂) [mg/m ³]	17	38	
NO _x (13%/O ₂) [mg/m ³]	101	143	
CxHy (13%/O ₂) [mg/m ³]	21	72	
wall distance, rear	37 cm	37 cm	
at 4 cm Promat-Iso.	18 cm	18 cm	
wall distance, side	37 cm	37 cm	
at 4 cm Promat-Iso.	18 cm	18 cm	
distance to the front	80 cm	80 cm	



Fulfils the latest standards in burning wood, wood-briquettes and pellets (please see applicable standards).

Please check the instruction manual for this wood & pellet burning stove.

Suitable for multiple chimneys.

All emission values at 50 cm length of flue tube.

* depending on stove location in the living area, room isolation, height of the room and amount of fuel

Subject to alterations; errors including printer's errors.

Our specialised stove builders and retailers will assist you with practical advice.

Two-sided, vertical stove with heat accumulation model München

ENR	model	delivery time	
250-2001	München † combi stove <ul style="list-style-type: none"> • wood only (without pellet accessories) • stove body and door in steel anthracite • high flame fire chamber for pellet or wood • fire chamber rear wall made of 3 cm heat-storing chamotte • self-locking door with cool design handle • two-sided, angled fire glass offers excellent views • inclusive heat storing block 	3	
pellet accessories for the two-sided, vertical stove			
556-2004	pellet box with 6,4 kW (at combo-stove purchase) pellet box with 6,4 kW (retrofit kit) <ul style="list-style-type: none"> - burner unit, stainless steel ball - ash container - pellet felt bag with up to 20 kg capacity - pellet shovel - easy to use lighter - cleaning brush, silicone gloves 		
29 240 311	floor protector stainless steel (see accessories)		
29 240 400	floor protector glass (see accessories) especially for this stove type Outside air connection is prepared: Be sure to specify when ordering: outside air connection horizontal or vertical (is included in scope of delivery) For other connection accessories, please see list of accessories.		
special features of the two-sided, vertical stove model München			
<p>The model München offers an easy to use two-in-one system with two different fuels. Heat without electrical power and use all advantages of this double feature oven: pellet AND wood! Swap easy and comfortable between fuels within 5 minutes. Discover the special features of our fire-combo-romantic on YouTube! Free to choose fuel makes you more independent! Get whatever is cheapest at the moment and save money.</p> <p>The two sided vertical stove, model München</p> <ul style="list-style-type: none"> • space-saving and yet powerful • due to its slim figure, the München fits in almost every corner • the two sided glass window offers a broad and direct view to the fire • even from the side, the München offers very interesting views • pellet accessories are available as an optional choice • pellet fire is just as diverse and romantic as fire from logs • radiant heat is a beautiful and very pleasant heat • Independent from changing prices: one can swap from pellet to log fire within 5 minute • The ash container needs cleaning only once or twice per season (for pellet use only) • more special features and extras at the last pages • choose your stainless steel or glass floor protector from the list of accessories, ...easy to remove during summer times 			