

HAAS
+
SOHN

Aqua Riva II

Equipment sheet
Fireplace stove with heat exchanger

GB

Notes in the text



Of utmost importance there are the notes entitled **WARNING**. The notes entitled **WARNING** advise you on **serious danger of damage to the heating device or of an injury**.



The note entitled **Notice** advises you on possible damage to your heating device.



The note entitled **Important** calls your attention to the information important for the operation of your heating device.



The note itself calls your attention to the information important for the operation of your heating device in general.

Contents

1. Technical data	1
1.1. Suitable fuel, stoking amount of fuel	1
2. Fireplace stove dimensional drawing	2
3. Overview of spare parts	3
3.1. General layout	3
3.2. Layout A1	5
3.3. Layout A2, A3, A4, A5	6
4. Dimensioned diagram	8
4.1. Heat exchanger connection	8
5. Heat exchanger cleaning instructions	9

1. Technical data

	Block wood	
Achievable heat output	7,9 kW	
Nominal heat output	8 kW	
Output available for heating of water	5,6 kW	
Energy efficiency	80 %	
Average contents of CO at 13% O ₂	681 mg/Nm ³	472 mg/MJ
Average contents of dust at 13% O ₂	36 mg/Nm ³	25 mg/MJ
Average contents of NOx at 13% O ₂	105 mg/Nm ³	73 mg/MJ
Average contents of OGC at 13% O ₂	40 mg/Nm ³	28 mg/MJ
Three values of combustion products (three specific performance parameters of chimneys)		
Amount of combustion products at nominal output	7,2 g/s	
Temperature of combustion products in smoke flue neck	301 °C	
Minimum draft of the chimney at nominal heat output	12 Pa	

Safety distances

Minimal distances from flammable materials:	side:	40 cm
	rear:	40 cm
	front (radiation area):	80 cm

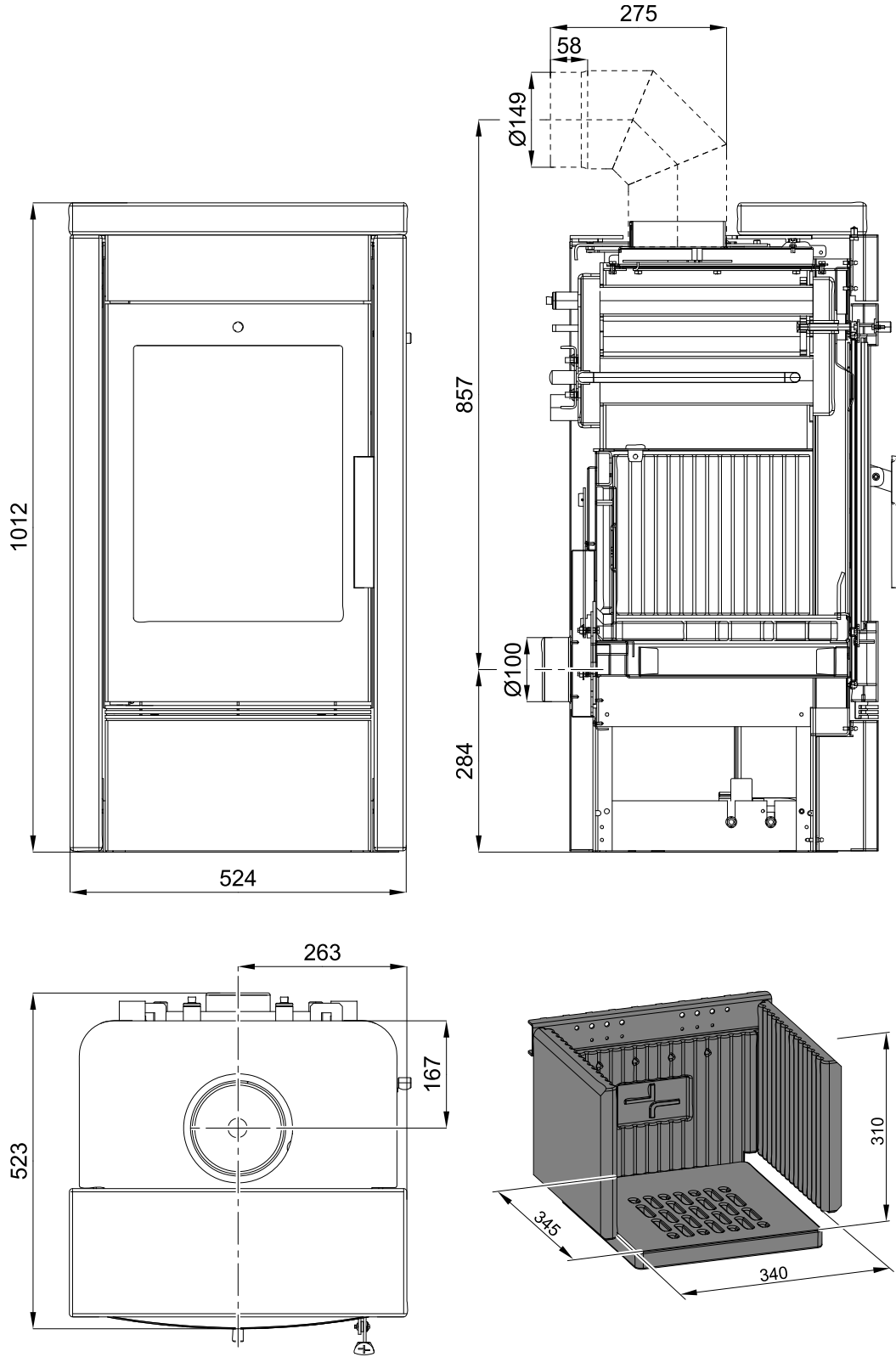
1.1. Suitable fuel, stoking amount of fuel

Fuel:	Max. amount of fuel for one stoking
Block wood:	2 logs (max. 2,4 kg)
Block wood length	Max. 33 cm
Sawdust briquettes (DIN51731):	—
Brown-coal briquettes	—

Note

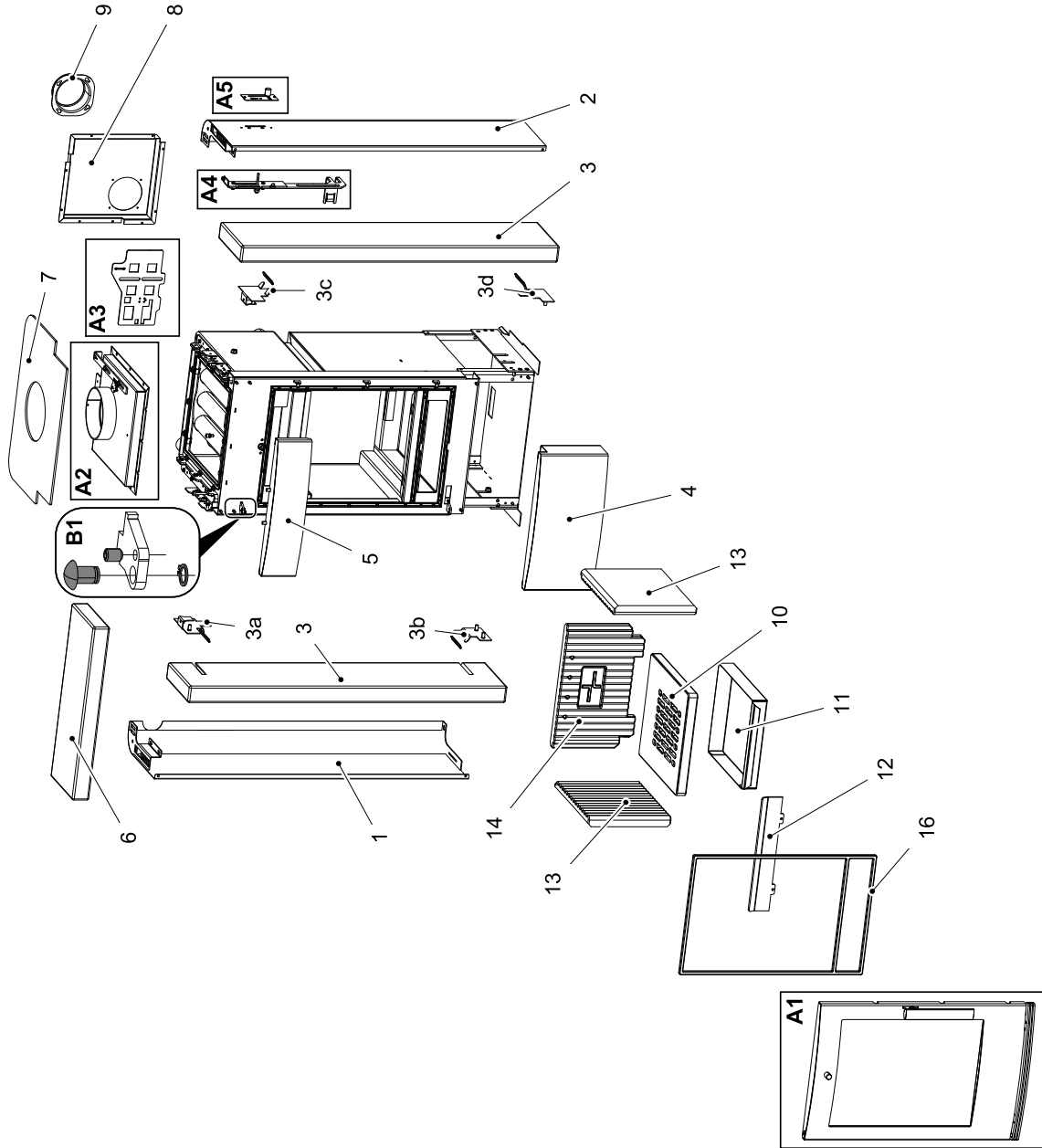
When heating with wood stock, use only the types of wood which have been stored for two years and their residual humidity is at most 17 %.

2. Fireplace stove dimensional drawing



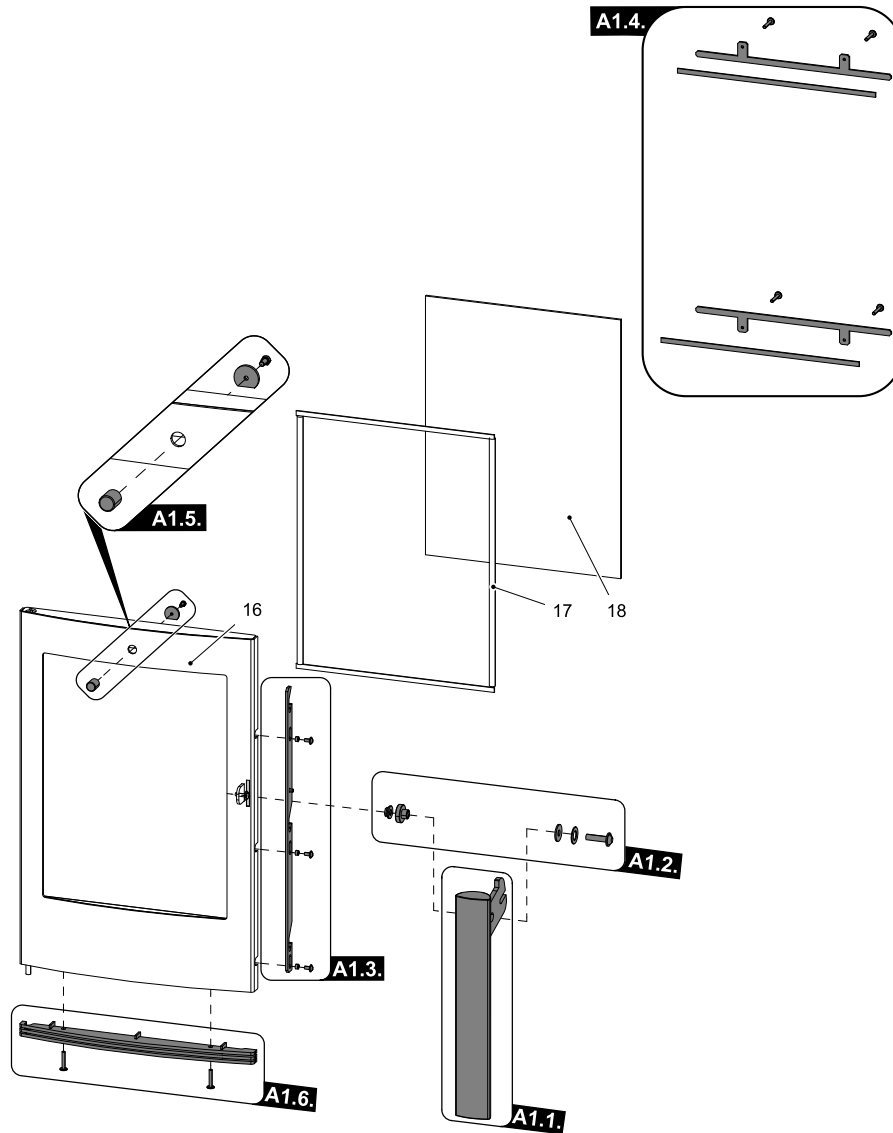
3. Overview of spare parts

3.1. General layout



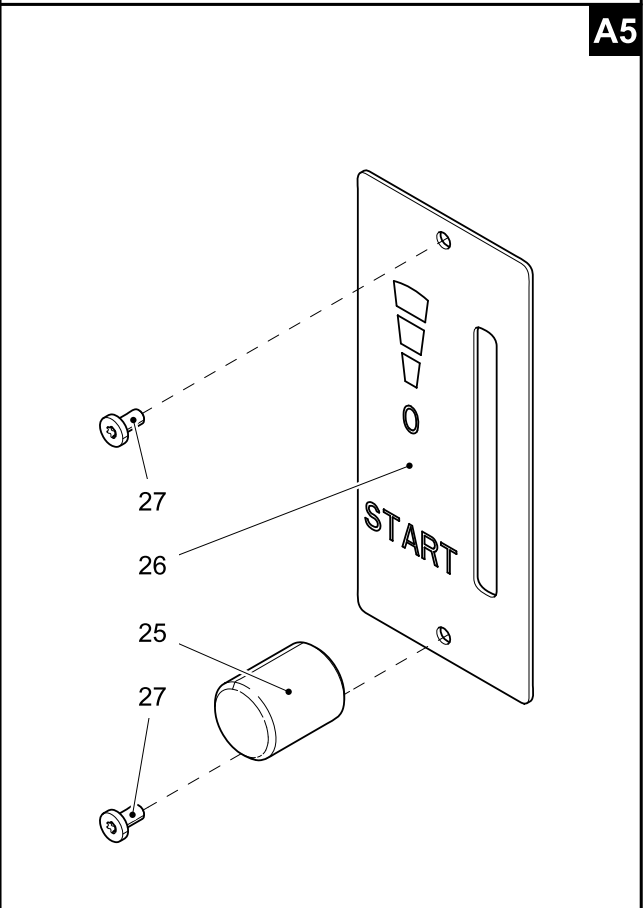
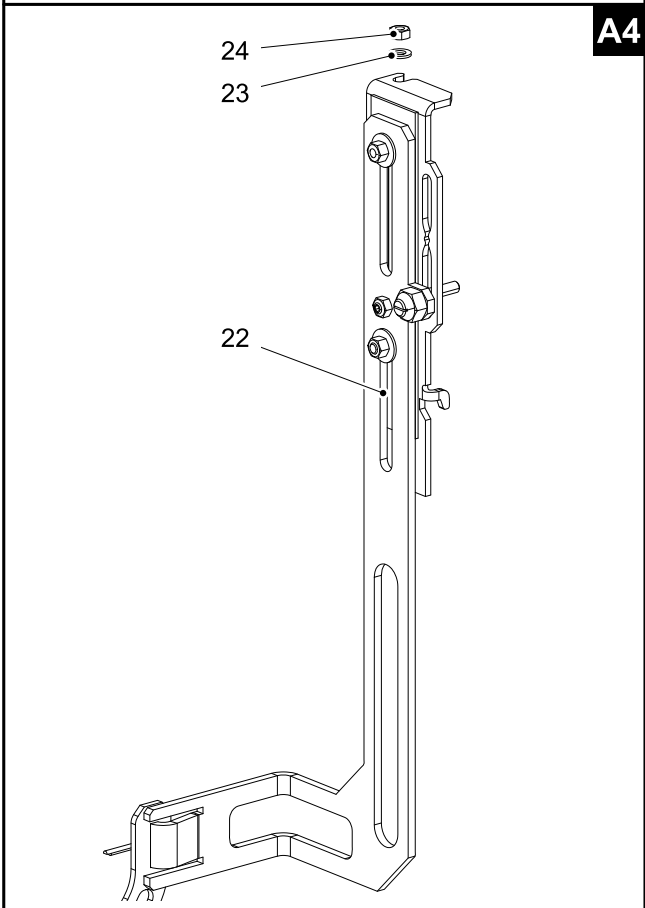
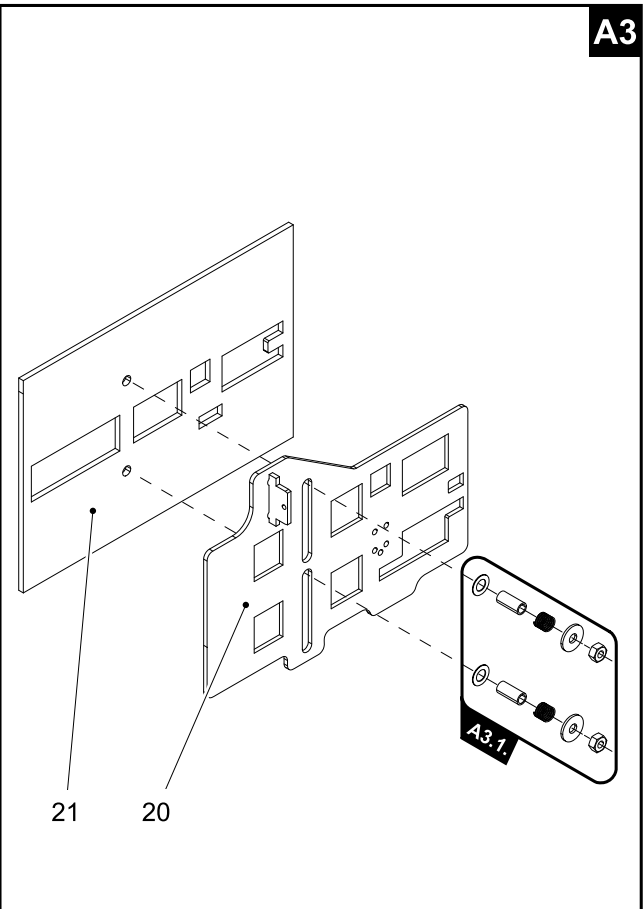
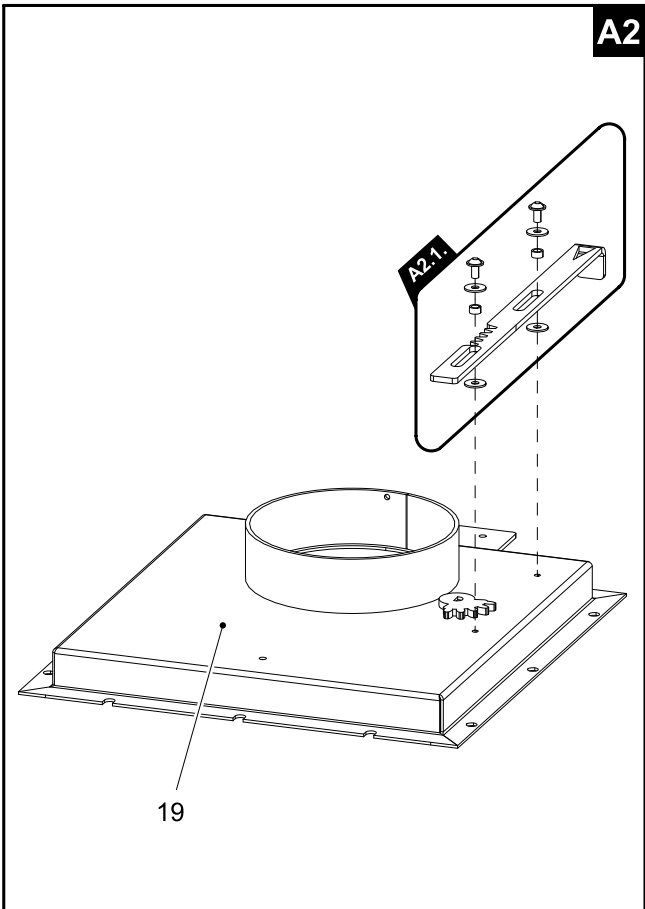
General layout			
Item	Name	pcs	Number of the spare part
A1	Fire-box door (complete)/anthracite-silver	1 piece	0434515015300
A2	Cover (complete)/anthracite	1 piece	0434515115095
A3	Sliding valve (complete)/anthracite	1 piece	0434617005028
A4	Control (complete)/Easycontrol	1 piece	0434517005060
A5	Controller (complete)	1 piece	0434615005005
B1	Strip connecting material - set	1 piece	0434515005128
1	Lateral cover - left/anthracite	1 piece	0434515106019
2	Lateral cover - right/anthracite	1 piece	0434515106018
3	Lateral lining/Woodstone	2 piece	0434515106100
3a	Upper lining holder left/anthracite	1 piece	0434615107066
3b	Lower lining holder left/anthracite	1 piece	0434515107066
3c	Upper lining holder right/anthracite	1 piece	0434615107068
3d	Lower lining holder right/anthracite	1 piece	0434515107068
4	Lower cover/anthracite	1 piece	0434515016146
5	Upper cover/anthracite	1 piece	0434515016145
6	Upper lining/Woodstone	1 piece	0434515106200
7	Upper covering board/anthracite	1 piece	0434515006801
8	Rear cover	1 piece	0434517005000
9	External air input (Ø100)	1 piece	0088500050008
10	Grate/Lackfire	1 piece	0434515005053
11	Ashpan	1 piece	0434515005030
12	Pile grating	1 piece	0434515006040
13	Fire-clay shaped piece - left + right (30x250x307)	2 piece	0434617005504
14	Fire-clay shaped piece - rear (30x239x375)	1 piece	0434617005501
15	Door sealing cord 12 mm (2500 mm)	1 piece	0040012120005

3.2. Layout A1



Layout A1			
Item	Name	pcs	Number of the spare part
A1.1.	Fire-box door hand pull (complete)	1 piece	0429415005318
A1.2.	Hand pull connecting material - set	1 piece	0434615505002
A1.3.	Door closing blade - set	1 piece	0434615005321
A1.4.	Glass holder - set/anthracite	1 piece	0434615006330
A1.5.	Cleaning cover — set/anthracite	1 piece	0434615405005
A1.6.	Shutter/silver colour - set	1 piece	0434515005315
16	Fire-box door (welded part)/anthracite	1 piece	0434515007200
17	Glass sealing cord 10x4 mm (1660 mm)	1 piece	0040210040005
18	Glass(345x455)	1 piece	0434515005304

3.3. Layout A2, A3, A4, A5

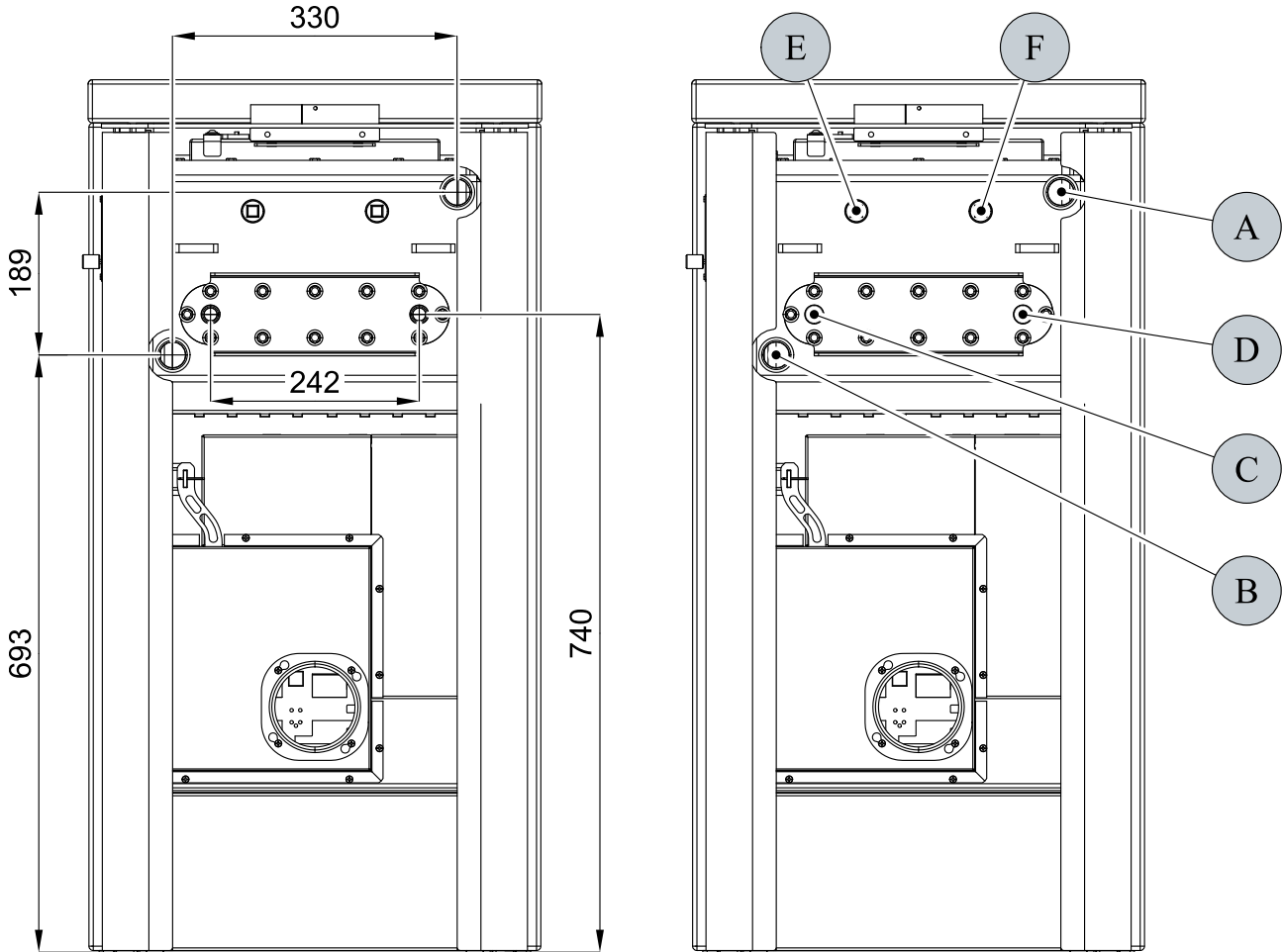


Layout A2			
Item	Name	pcs	Number of the spare part
A2.1.	Flap drawbar/anthracite - set	1 piece	0434515006088
19	Cover/anthracite	1 piece	0434515016085
Layout A3			
Item	Name	pcs	Number of the spare part
A3.1.	Sliding valve connecting material - set	1 piece	0434615005003
20	Sliding valve/anthracite	1 piece	0434617006028
21	Sliding valve sealing	1 piece	0434517005052
Layout A4			
Item	Name	pcs	Number of the spare part
22	Control/Easycontrol	1 piece	0434517005060
23	Washer 5.3 DIN 125A	1 piece	-
24	Nut M5 DIN 980V	1 piece	-
Layout A5			
Item	Name	pcs	Spare part number
25	Controller	1 piece	0420915005625
26	Controller label	1 piece	0429415005171
26	Screw M3x10 BN 9524	2 pieces	0030400300105

4. Dimensioned diagram

4.1. Heat exchanger connection

Dimensioned diagram



GB

Item	Name
A	Forward flow connection (inside thread G1")
B	Reverse flow connection (inside thread G1")
C-D	Discharge thermal protection connection (outside thread G1/2")
E-F	Immersion pit connection for discharge thermal protection sensor (inside thread G1/2"), max. fitting length of immersion pit: 410 mm (e.g. cooling loop, circulation pump)

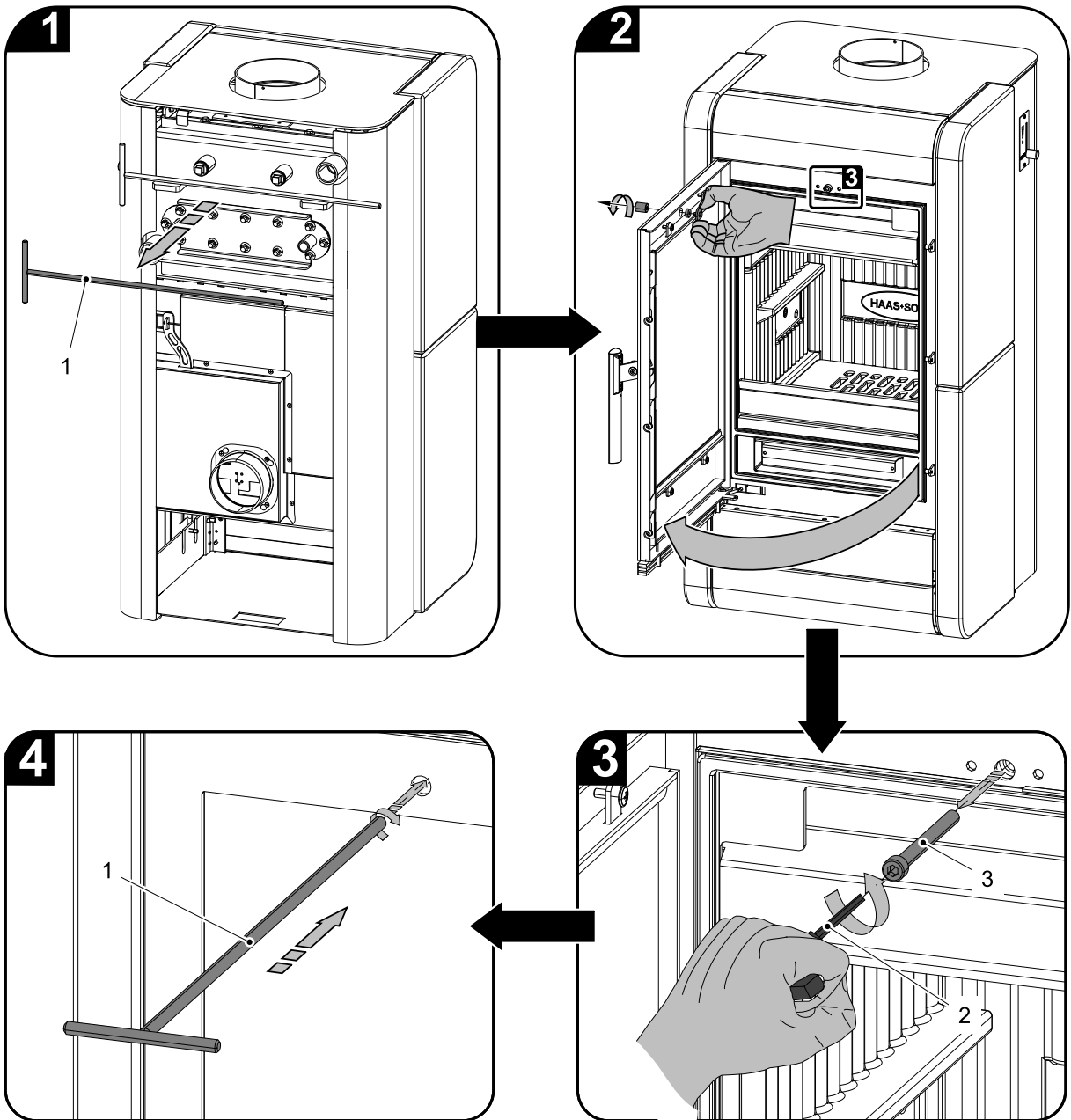
5. Heat exchanger cleaning instructions



IMPORTANT

It is recommended to perform the cleaning by the wiping blade (item 4, fig. 5) once in a week at least or more often depending on the manner of operation.

1. Preparation and cleaning drawbar mounting

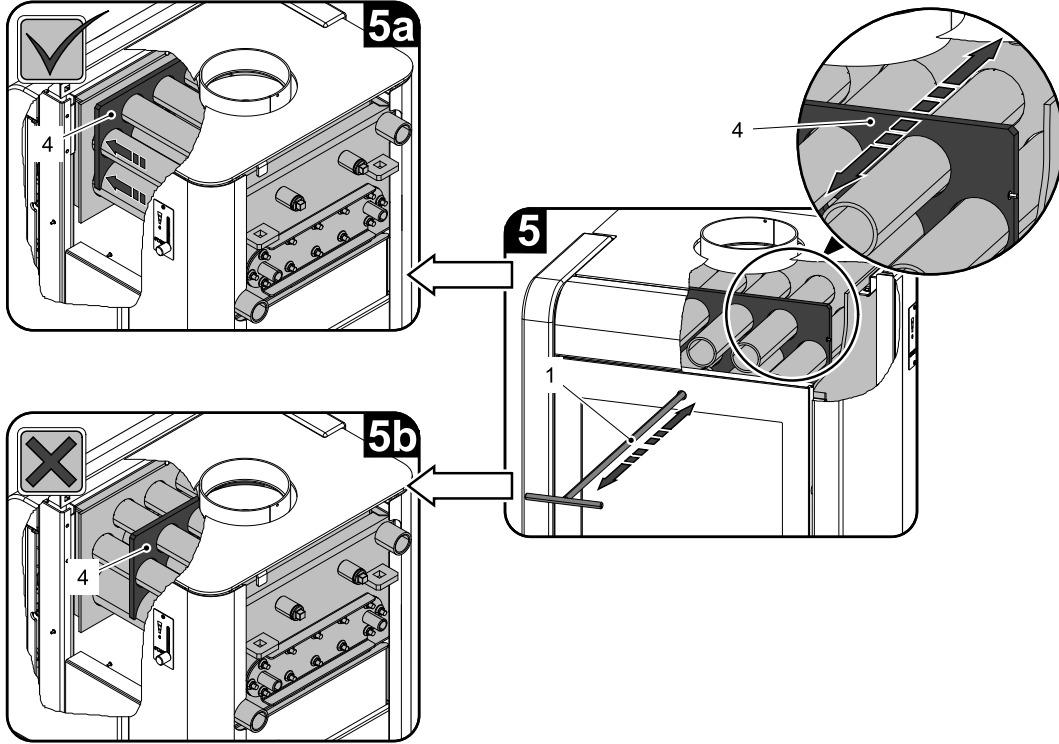


2. Proper cleaning and cleaning board arrestment



IMPORTANT

After cleaning is finished, it is always necessary to arrest the wiping blade (fig. 5a). Do not leave the wiping blade freely above flame (fig. 5b).



Item	Name	Spare part number
1	Drawbar of the cleaning/anthracite	0433317006063
2	Allen wrench 8 mm (part of delivery)	9001700080005
3	Screw M10x80 (DIN 912)	0030031000805
4	Wiping blade	—

