



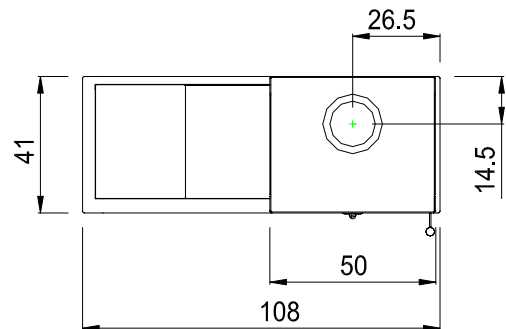
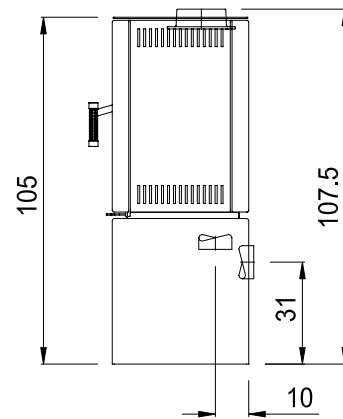
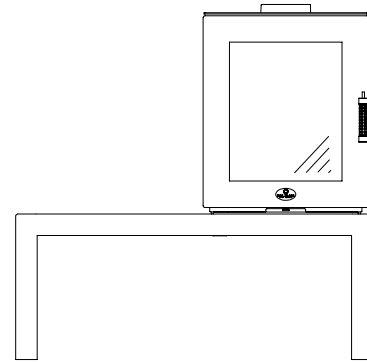
TOULON II Steel / Stone

MAX BLANK
HIGH QUALITY

wood or pellet
without electricity

Technical specifications of the design-oven with combined bench:

measurements (cm)	width	height	depth
stove	108	105 / (107,5)	41
combustion chamber	37	30	29
fire glass	34	42	
fire door	50	58	
flue pipe connection Ø 15 to → or ↑ height to top pipe socket			107,5
outside air connection Ø 10 to → or ↓ height to mid connection horizontal			31
depth to mid connection vertical			10
total weight	chamotte bricks	heat accumulator	
179 / (201) kg	26 kg	-	
data for	pellet box S	pellet box XL	wood
nominal heat output	7,5 kW	11 kW	6,5 kW
output range	7,5 - 5 kW	11 - 8,5 kW	6,5 - 3,3 kW
efficiency	86%	85%	87%
heating capability*	50 - 150 m³	70 - 250 m³	100 - 250 m³
amount of fuel	3,8 kg	7,5 kg	2,9 kg / h
fire duration	up to 2,5 h	up to 5 h	up to 5 h
heat release	up to 7 h	up to 9 h	up to 9 h
flue gas flow volume	8,97 g/s	10,74 g/s	10,3 g/s
exhaust °C (nozzle)	180 °C	230 °C	268°C
min/max feed press.	12 / 15 Pa	13 / 15 Pa	12 / 15 Pa
CO (13%/O2) [mg/m³]	1166	880	1074
CO (13%/O2) [%]	0,093	0,070	0,086
dust (13%/O2) [mg/m³]	36	30	31
NOx (13%/O2) [mg/m³]	109	110	115
CxHy (13%/O2) [mg/m³]	54	41	51
wall distance, rear	15 cm	20 cm	15 cm
wall distance, side	15 cm	15 cm	15 cm
distance to the front	80 cm	80 cm	80 cm



Fulfills the latest standards in burning wood, wood-briquettes and pellets (please see applicable standards).

Please check the instruction manual for this wood & pellet burning stove.

Suitable for multiple chimneys.

Values in (..) are for stone covers.

* depending on stove location in the living area, room isolation, height of the room and amount of fuel

Subject to alterations; errors including printer's errors.

Our specialised stove builders and retailers will assist you with practical advice.

Design-stove with combo bench, model Toulon II

ENR	model	delivery time	
148-2016	Toulon II Steel † <ul style="list-style-type: none"> • stove body anthracite • lid steel anthracite • steel bench with stone cover brushed slate 	4	
148-2025	Toulon II Stone † <ul style="list-style-type: none"> • stove body anthracite • sides and top in natural stone chiselled grey • steel bench with stone cover brushed slate 	4	
148-2033	Toulon II Stone † <ul style="list-style-type: none"> • stove body anthracite • sides and top in natural stone light grey blasted • steel bench with stone cover brushed slate 	4	
pellet accessories for our design stove with combo bench (steel and stone)			
552-2014	pellet box S with 7,5 kW (at purchase with a stove) pellet box S with 7,5 kW (retrofit kit)		
552-2004	pellet box XL with 11 kW (at purchase with a stove) pellet box XL with 11 kW (retrofit kit) <ul style="list-style-type: none"> • made of heat-resistant stainless steel • at model S with 2, at XL with 3 black ceramic specialised glasses • with lighter, silicone gloves, pellet-felt bag up to 20 kg, cleaning brushes, pellet shovel provided 		
Outside air connection is prepared: Be sure to specify when ordering: outside air connection horizontal or vertical (is included in scope of delivery) For other connection accessories, please see list of accessories. Special floor protectors available on request.			
special features of the design stove with combo bench, model Toulon II			
Heat without electrical power and use all advantages of this double feature oven: pellet and wood. Simple and very easy swap between wood or pellet within a minute. Discover the special features of our fire-combo-romantic on YouTube. Free to choose fuel makes you more independent! Get whatever is cheapest at the moment and save money. the design stove with combo bench, model Toulon II. <ul style="list-style-type: none"> • the novice-stove-model from Max Blank - High Quality • all-rounder: heating + sitting + store wood logs • with excellent massive steel-bench <p style="text-align: center;">Please also look up the features of the natural stone collection!</p>			