

PELLET STOVE

MYA AIR TIGHT



CONTENTS

Safety information	4
General information (dimensions, specifications)	5
Unpacking	7
Installation	8
Cladding	15
Instructions for use	19
Maintenance	30
Troubleshooting	33

The original language of this manual is Italian

The undersigned EDILKAMIN S.p.A., with registered office in Via Vincenzo Monti 47 - 20123 Milan (Italy) - Tax ID Code and VAT number 00192220192

Hereby declares, under its sole responsibility, that:
The pellet stove mentioned below complies with EU Regulation 305/2011 and the harmonised EU standard EN 14785:2006

PELLET STOVE, bearing the brand
EDILKAMIN, model MYA

SERIAL NO.: Rating plate reference
Performance declaration: (DoP - EK n° 091):
Rating plate reference

Moreover, the company hereby declares that:
the MYA wood pellet stove satisfies the requirements of the following European directives:
2014/35/EC - Low Voltage Directive
2014/30/EC - Electromagnetic Compatibility Directive

Dear Sir/Madam

We thank you for and congratulate you on choosing our product. Before using it, we would ask you to read this manual carefully, so that you can make the most of all its functions in total safety.

This manual is an integral part of the product. We ask you to keep it for the entire lifetime of the product. If you lose it, you can request a copy from your dealer or download it from www.edilkamin.com.

Readers of the manual

This manual is addressed to:

- those who use the product at home ("USER");
- the technician who will install the product ("INSTALLER")

The target person of each page is indicated in a band at the bottom of the page (USER or INSTALLER).

General information

After unpacking the product, check the condition and completeness of the contents.

In the event of error, immediately contact the retailer where the purchase was made, providing him with a copy of the warranty booklet and sales receipt.

The appliance must be installed and operated in compliance with local and national law and European regulations. For the installation, and for anything not specifically indicated in the manual, observe local regulations.

The diagrams provided in this manual are for illustration purposes only: they do not always strictly refer to your specific model, and are not binding in any way.

Product identification and warranty.

The product is uniquely identified by a number, the "counterfoil", which is indicated on the warranty certificate.

Please keep:

- the warranty certificate accompanying the product
- the purchase receipt given to you by the retailer
- the declaration of conformity given to you by the installer.

The warranty conditions are given in the warranty certificate accompanying the product.

First ignition is required, in Italy, by an authorised technician in accordance with UNI 10683, and is recommended in all countries to ensure best results from the product.

This consists of:

- checking the installation documents (declaration of conformity) and the quality of the installation itself
- calibrating the product to suit its actual application
- providing explanations to the end user and issuing the complementary documentation (first ignition - commissioning certificate)

Having the appliance commissioned properly ensures that it will operate to best effect and in complete safety.

First ignition is required for activation of the Edilkamin manufacturer warranty. The warranty is only valid in the country where the product was bought.

If the appliance is not commissioned by an authorised technician, Edilkamin will not provide warranty service. See the warranty booklet for details. The above terms do not affect the dealer's legal responsibility for the legal warranty.

The warranty, however, covers only demonstrable manufacturing defects and not, for instance, problems resulting from improper installation or calibration.

MEANING OF SYMBOLS

In some parts of the manual the following symbols are used:



PLEASE NOTE:

carefully read and understand the message in question, since failure to follow the instructions in it could cause serious damage to the product and put the safety of those using it at risk.



INFORMATION:

failure to comply with these requirements will compromise product use.



OPERATING SEQUENCE:

follow the instructions for the operations described.

- The product is not designed for use by people, including children, with limited physical, sensory and mental abilities.
- The appliance is not designed for cooking purposes.
- The appliance is designed to burn UNI EN ISO 17225-2 category A1 wood pellets, in the amounts and manner described in this manual.
- The appliance is designed for indoor use and in areas with normal humidity conditions.
- Keep the product in a dry place out of the weather.
- For the legal and company warranties, refer to the warranty certificate inside the product: specifically, neither Edilkamin nor the retailer are liable for damage resulting from incorrect installation or maintenance.

Safety risks may be caused by:

- Installation in non-suitable settings, in particular those that are subject to fire risks. **DO NOT INSTALL THE PRODUCT IN AREAS SUBJECT TO THE RISK OF FIRE.**
- Contact with fire and hot parts (e.g. glass panel and pipes). **DO NOT TOUCH HOT PARTS** and, when the stove is switched off and still hot, always wear the glove supplied.
- Contact with live electrical equipment (internal). **DO NOT ACCESS THE INTERNAL ELECTRICAL EQUIPMENT WHILE THE APPLIANCE IS POWERED ON.** Electrocution hazard.
- Use of improper ignition aids (e.g. alcohol). **DO NOT IGNITE OR BOOST THE FLAME WITH FLUID SPRAYS OR A FLAME TORCH.** Serious risk of burns, damage and injury.
- Use of fuel other than wood pellets. **DO NOT BURN WASTE MATTER, PLASTIC OR MATERIALS OTHER THAN WOOD PELLETS IN THE COMBUSTION CHAMBER.** The product may become soiled, the flue may catch fire, and environmental damage may ensue.
- Cleaning the combustion chamber when hot. **DO NOT CLEAN WITH A VACUUM CLEANER WHEN HOT.** You could damage the vacuum-cleaner and risk the emission of smoke in the room.
- Cleaning the smoke duct with cleaning products. **DO NOT CLEAN THE PRODUCT WITH FLAMMABLE PRODUCTS.** Risk of fire or blowback.
- Cleaning the glass pane while hot or

with unsuitable cleaning products. **DO NOT CLEAN HOT GLASS WITH WATER. ONLY USE RECOMMENDED GLASS CLEANING PRODUCTS.** Risk of cracking and permanent, irreparable damage to the glass.

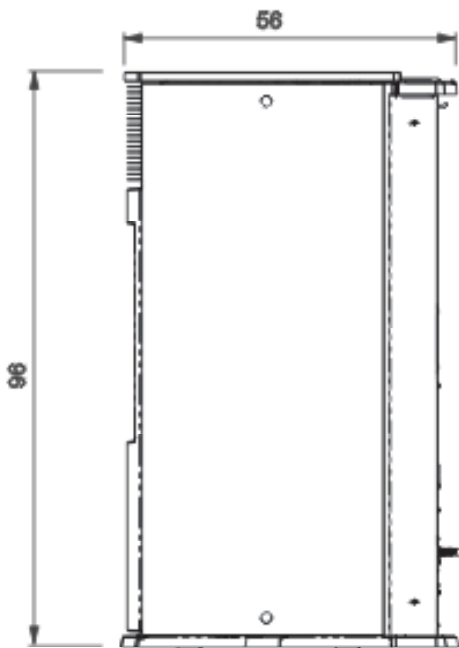
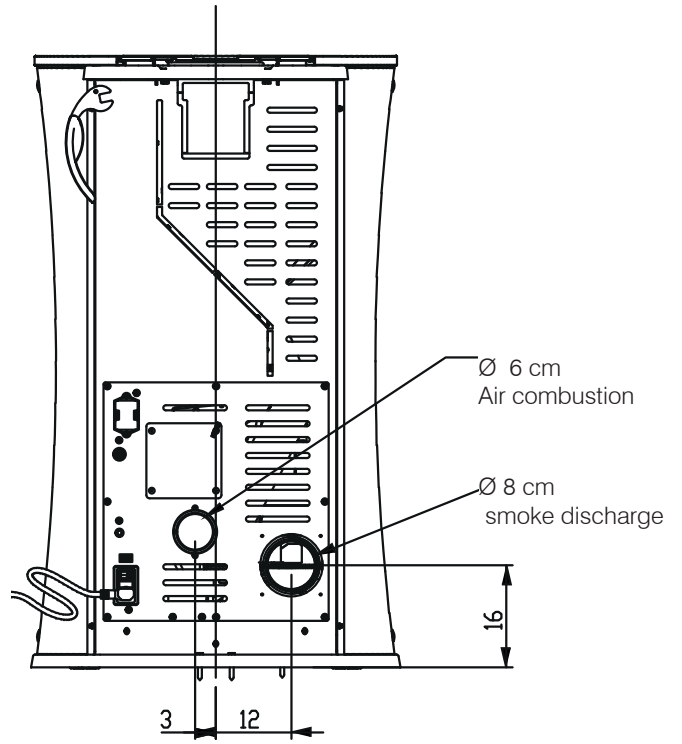
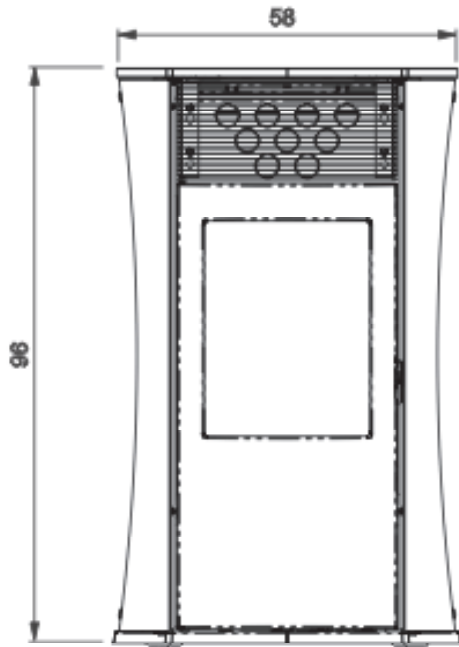
- The storage of flammable materials at a distance which is less than the safe distances listed in this manual. **DO NOT PLACE LAUNDRY ON THE APPLIANCE. DO NOT PLACE DRYING RACKS WITHIN THE SAFETY CLEARANCE.** Keep flammable fluids away from the appliance. Fire hazard.
- Blocking the aeration vents and air intakes in the room. **DO NOT BLOCK THE AERATION VENTS OR FLUE.** Risk of smoke returning into the room with consequent damage and injury.
- Use of the product as a support or ladder. **DO NOT CLIMB ONTO THE PRODUCT OR USE IT AS A SUPPORT.** Risk of damage and injury.
- Use of the stove with the combustion chamber open. **DO NOT USE THE PRODUCT WITH ITS DOOR OPEN.**
- Incandescent material may come out from the open door. **DO NOT** throw incandescent material outside the appliance. Fire hazard.
- Use of water in case of fire. **CALL THE AUTHORITIES** if a fire breaks out.

Switch on the product only after complete installation including coverings. Risk of electric shock from live device parts.

If you have doubts, please do not take any action, but contact the retailer or the installer.

For reasons of safety, read the user instructions included in this manual.

MYA AIR TIGHT - DIMENSIONS (cm)



TECHNICAL DATA.-EN 14785

	MYA AIR TIGHT		
	Nominal power	Reduced power	
Available power	6,3	2,4	kW
Efficiency	90,1	94,5	%
CO emissions at 13% O ₂	0,014	0,041	%
Fumes temperature	133	71	°C
Fuel consumption*	1,5	0,5	kg/h
Tank capacity	14		kg
Draw	12	5	Pa
Autonomy	9	28	hours
Heatable volume **	165		m ³
Fume duct diameter (male)	80/130		mm
Air intake duct diameter (male)	60		mm
Weight including packaging	171 / 167		kg

*A calorific value of 4.8 kW/Kg has been used to calculate consumption *

* The heatable volume is calculated with a heating demand of 33 Kcal/m³ hour.

TECHNICAL DATA FOR SIZING THE FLUE

which must in any case satisfy the requirements of this sheet and the installation instructions

	Nominal power	Reduced power	
Fumes temperature at smoke outlet	184	113	°C
Minimum draw	0,01		Pa
Fumes flow rate	7,9	3,6	rps

ELECTRICAL SPECIFICATIONS

Power supply	230 Vac +/- 10% 50 Hz
Mean absorbed power	30-155 W
Power absorption during ignition	365 W
Remote control frequency (provided)	2,4 GHz
Protection rating	Fuse 4 AT 250 V AC 5x20

The above data is for guidance only and was measured during certification by a notified body.

EDILKAMIN s.p.a. reserves the right to modify the product without notification in the interests of improvement.

PREPARATION AND UNPACKING

The packaging materials are neither toxic nor noxious and do not require special disposal.

The user is responsible for storing, disposing of and recycling them in a regulatory fashion.



Always move the stove vertically with suitable equipment and in compliance with safety regulations.

Do not turn the package over, and handle all parts requiring installation with care.



Package materials such as plastic and films may be dangerous for children.

Suffocation hazard.

Keep packages away from children.

PACKAGING

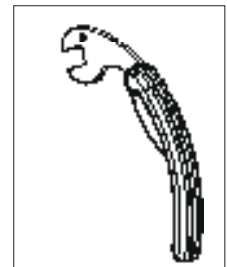
The delivery consists of two packages:

- one containing the stove frame
- one containing the sides and hardware (description on following pages)

In the stove you will find:

- remote control,
- warranty certificate,
- glove,
- this manual,
- desiccant salts,
- power cable.

The lever for opening the interior door is on the pallet.



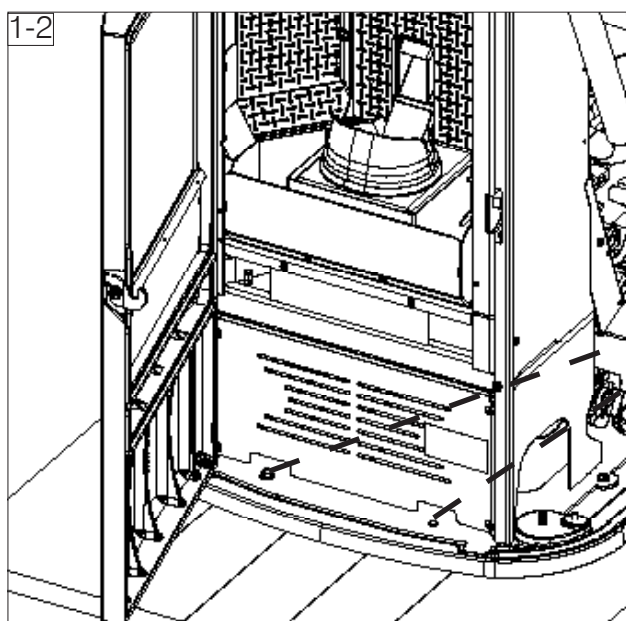


DO NOT TRY TO REMOVE THE PRODUCT FROM THE PALLET WITHOUT HAVING OPENED THE DOOR AND UNDONE THE SCREWS WHICH SECURE IT TO THE PALLET

TO REMOVE THE STOVE FROM THE PALLET

To remove the stove from the pallet

1. open the door with the removable handle
2. unscrew the two screws at the front that secure the bottom of the stove to the pallet
3. unscrew the two screws at the back that secure the bottom of the stove to the pallet



screws to remove the stove from the pallet



screws to remove the stove from the pallet

THE DRAWINGS ARE FOR GUIDANCE ONLY, USEFUL FOR THE INSTALLATION, BUT THEY MAY NOT REFER TO THE SPECIFIC MODEL.

REMARKS ON INSTALLATION

Note that:

- installation must be carried out by authorised technical personnel;
- the appliance must be installed and operated in compliance with local and national law and European regulations. The Italian reference standard is UNI 10683; in France one must follow the instructions in the DTA (Document Technique d'Application), www.cstb.fr
- if installed in a condominium, the appliance must be approved by the administrator;
 - if installed in public premises, check and follow local regulations for this type of installation.

Here are a few general instructions, although these do not obviate the need to comply with local regulations and do not affect the installer's liability for the installation.

Remember that Mya Air Tight is sealed, in other words, if it is installed correctly with the air inlet pipe connected to the outside, it takes the majority of the air from the outside. For different countries, check if there are particular installation conditions allowed for sealed stoves.

Checking the suitability of the installation space

- The room must have a volume of at least 30 m³
- The floor must be able to bear the weight of the product and its accessories* (see the note in the paragraph on the heat protection)
- Level the appliance
- Pursuant to Standard 10683 rev. 2012 point 6.3, in Italy you can also install the appliance in bedrooms or in rooms which already include a product that takes air from it for combustion, provided that the air inlet is connected to the outside
- Do not install the product in spaces where there is a risk of fire or explosion
- In Italy, check the compatibility pursuant to UNI 10683 and UNI 7129 in the presence of gas fired products.

Protection from heat and safety clearances

The surfaces of the building adjacent to the product must be protected against overheating.

The insulation to be used will depend on the type of surface in question.

The appliance must be installed in accordance with the following safety instructions:

- minimum clearance at the sides 15 cm and back of 10 cm from flammable materials
- no flammable materials may be kept closer to the front of the appliance than 80 cm.

If connected to a wooden or otherwise flammable wall, the flue must be appropriately insulated.

If installed on a flammable or combustible floor, or which is not capable of bearing its load*, use steel or glass plates under the stove to distribute the load.

Contact the retailer for this type of optional.

Positioning the product

The product is designed to operate in all climate conditions. In special circumstances, such as strong wind, the safety devices may intervene to switch the appliance off.

Contact the authorised Edilkamin Technical Assistance Centre.

INSTRUCTIONS FOR THE SMOKE DISCHARGE WITH OR WITHOUT CONCENTRIC PIPE

FLUE SYSTEM

(Fumes duct, flue and chimney pot)

This chapter has been drawn up pursuant to European regulations EN 13384, EN 1443, EN 1856 and EN 1457. The installer must observe both these and any other local regulations. This manual does not in any way substitute such regulations.

The product must be connected to a flue system which ensures that the fumes produced by combustion are expelled in complete safety.

Before positioning the appliance, the installer must check that the flue is suitable.

FUMES DUCT, FLUE

The fumes duct (which connects the combustion chamber smoke outlet with the flue) and the flue itself must, among other regulatory requirements:

- receive the fumes from a single product (the outlets of multiple appliances may not be conveyed into a single flue)
- be routed vertically for the most part
- have no downwards sloping sections
- preferably have a circular internal cross section, or with a ratio of the sides of less than 1.5
- terminate at roof level with a proper chimney pot: the flue may not discharge directly on the wall or into an enclosed space, even if the space in question is open to the sky
- be made of material with rated fire reaction class A1 as per UNI EN 13501 or analogous national regulations
- be certified, with a chimney plate if metal
- be of uniform cross section or vary in cross section only immediately after the outlet, not at some mid-point of its length.

THE FUMES DUCT

Further to the general prescriptions for the fumes duct and flue, the fumes duct:

- may not be made of flexible metal material
- must be insulated, if routed through unheated areas or outdoors
- must not be routed through rooms where the installation of combustion heat generators is prohibited or there is risk of fire, or that cannot be inspected
- must enable the recovery of soot and be open for inspection
- must have a maximum of 3 bends with a maximum angle of 90°
- if there is a horizontal section, it can have a maximum length of no more than 3 metres, depending on the draw. Note, in any case, that long sections encourage the accumulation of dirt and are harder to keep clean.

THE FLUE:

Further to the general prescriptions for the smoke duct and flue, the flue:

- must only be used for discharging fumes
- must be correctly sized to satisfy the requirements for fume discharging (EN 13384-1)
- should preferably be insulated, in steel with a circular internal section. If rectangular, the corners must have a radius of not less than 20 mm, with a ratio of the internal dimensions of <1.5
- must normally be at least 1.5 metres in vertical length
- must have a constant cross section
- must be waterproof and thermally insulated to ensure a good draw
- preferably provide a collection chamber for unburnt residues and condensates
- if pre-existing, must be clean, to prevent fire hazards
- in general, we recommend fitting a tube inside the existing masonry chimney if its diameter is greater than 150 mm.

INTUBATED SYSTEM:

Further to the general prescriptions for the fumes duct and flue, the intubated system:

- must operate in negative pressure;
- must be open to inspection;
- must observe local regulations.

THE CHIMNEY POT (In every country and specially in France, check on the specific waiver conditions)

- must be anti-downdraught
- must have an internal cross section equivalent to that of the flue and a fumes outlet at least double that of the interior of the flue
- for dual flues (which should be spaced at least 2 m apart) the chimney pot receiving the fumes from the solid fuel appliance or that from the higher storey, must be at least 50 cm higher than the other
- it must extend beyond the back flow zone (in Italy, refer to UNI 10683 point 6.5.8.)
- it must allow for maintenance of the chimney.

COMBUSTION AIR INTAKE

The inflow of necessary air for combustion, of air for glass cleaning and heating air renewal must come from the outside

Sealed stoves can also be installed in passive houses. In this case, the air inlet must be a direct air inlet

The stove takes the air from the outside via the air inlet hole (at the rear or on top if there is a top coaxial pipe - see the paragraph dedicated to the coaxial pipe).

Install an air intake with an effective surface area (net of the mesh or other protective equipment) at least equal to the cross section of the air inlet hole.

Connect the air intake to the appliance's air intake with a pipe that may also be flexible. Increase the diameter of the pipe if the pipe is not smooth or if it is necessary due to load losses: assess the load losses.

We recommend that it does not exceed 1 metre in length or include any bends.

If you are not interested in the sealing feature of the appliance, you can create an indirect air intake, even if this is not recommended

Install an air outlet at floor level with an effective surface area (net of the screen or other protections) of at least 80 cm² (diameter 10 cm).

To prevent draughts, we recommend installing the intake behind the product or behind a radiator.

Installing it in front of the appliance will create unpleasant draughts.

The air may be drawn from an adjacent room only if:

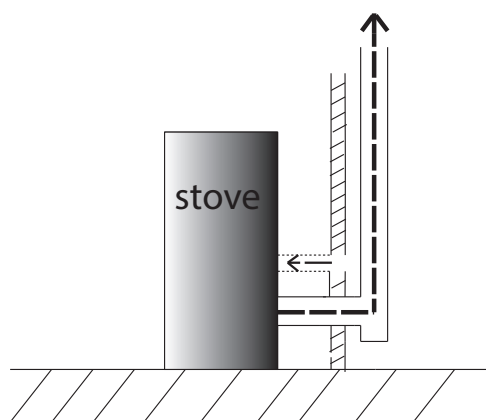
- the flow is taken from permanent, unobstructed openings communicating with the outdoors
- the air pressure in the adjacent room is never reduced to a level below outdoor pressure
- the adjacent room is not a garage, subject to fire hazard, a bathroom or a bedroom
- the adjacent room is not a shared room in the condominium

USE OF CONCENTRIC PIPES

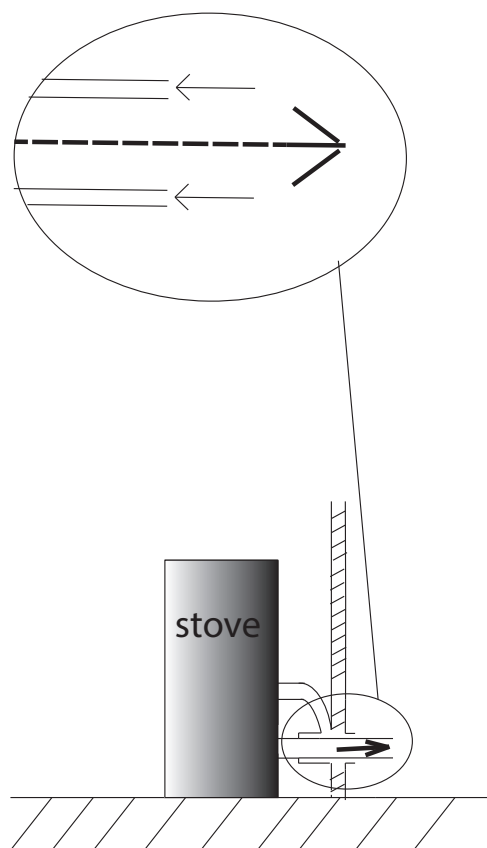
Without prejudice to the general instructions, you can use concentric pipes (which provide for the passage of smoke inside and the passage of the combustion air into the external circular ring).

This type of installation only needs one hole in the wall, instead of having one hole for the air intake and one for the smoke discharge.

Examples of possible installations. For the smoke discharge conditions (on roof, etc.) check local regulations for sealed pellet stoves.



rear smoke discharge pipe
rear air intake (direct or indirect)
without using a coaxial pipe



rear smoke discharge pipe
rear air intake
using coaxial pipe

**CHECKING THE ELECTRICAL CONNECTIONS
(the power socket must be located in an easily accessible position)**

The stove is equipped with an electrical power cord or connection to a 230V 50 Hz socket, preferably with an electromagnetic switch.

Variations in voltage of more than 10% can compromise the operation of the stove.

The electrical system must be compliant; check the operation of the earth in particular.

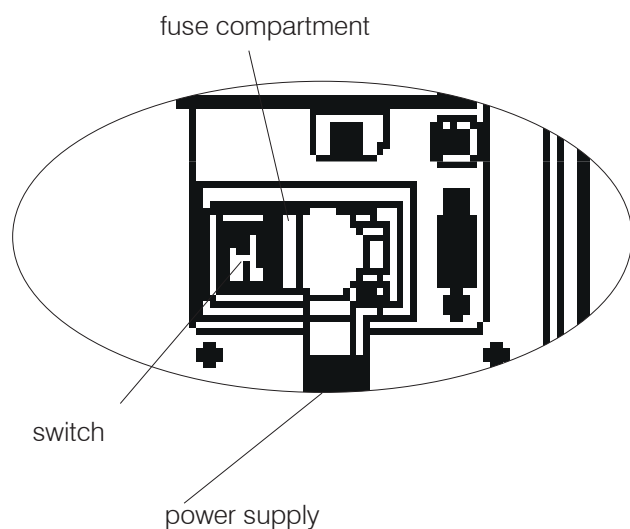
Edilkamin is not responsible for malfunctions resulting from an improperly earthed system.

The power line must be of adequate section for the power of the appliance.

The power cable must not come into contact with the flue or other hot parts of the stove.

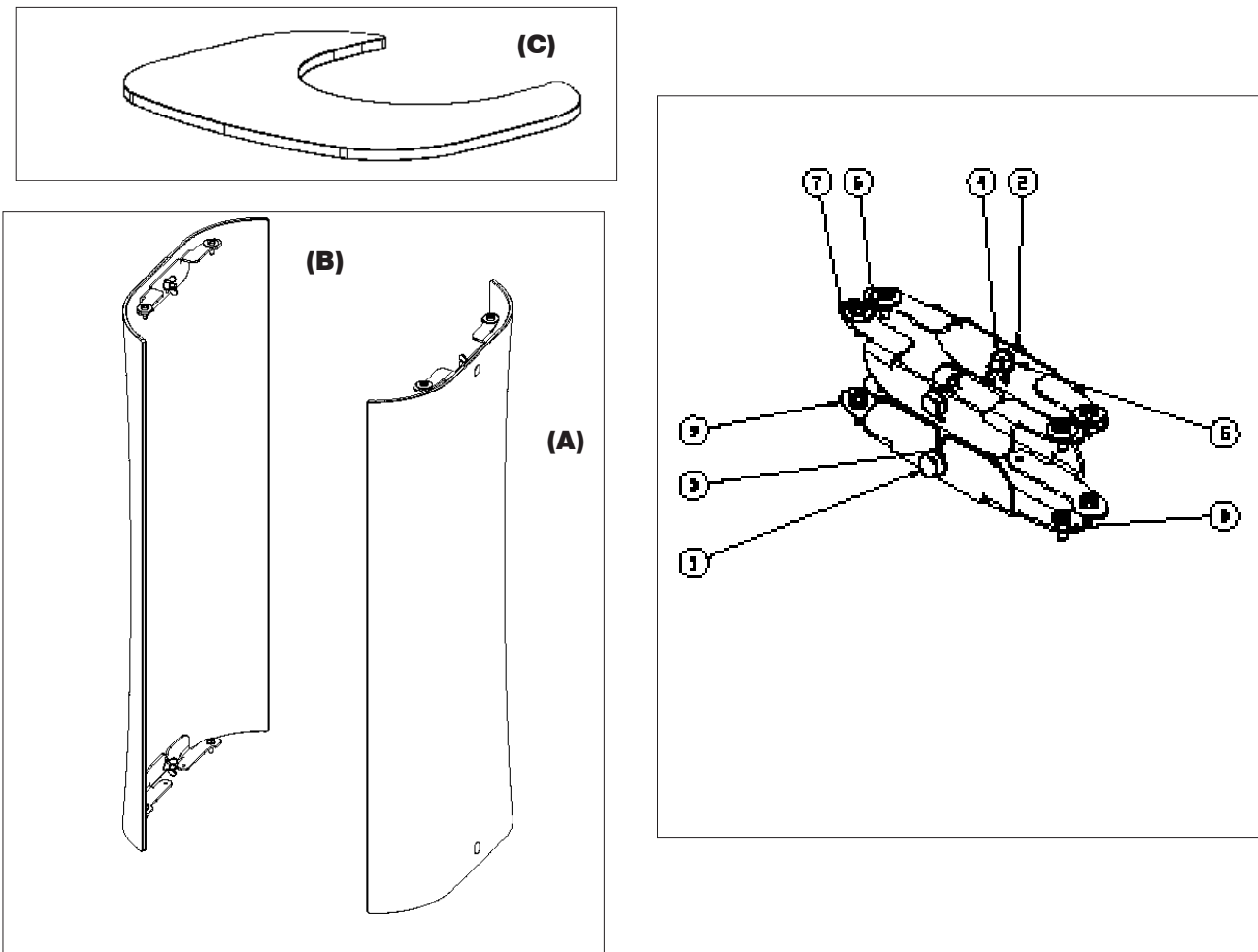
Power up the stove by setting its switch from 0 to 1.

There is a 4 A fuse on the socket with switch located at the rear of the stove.



Description	Reference in the Figure below	Quantity
Right-hand side	(A)	1
Left-hand side	(B)	1
Top	(C)	1
Small parts (brackets, studs, screws)		

The picture below shows the side panels as they are at the end of the assembly

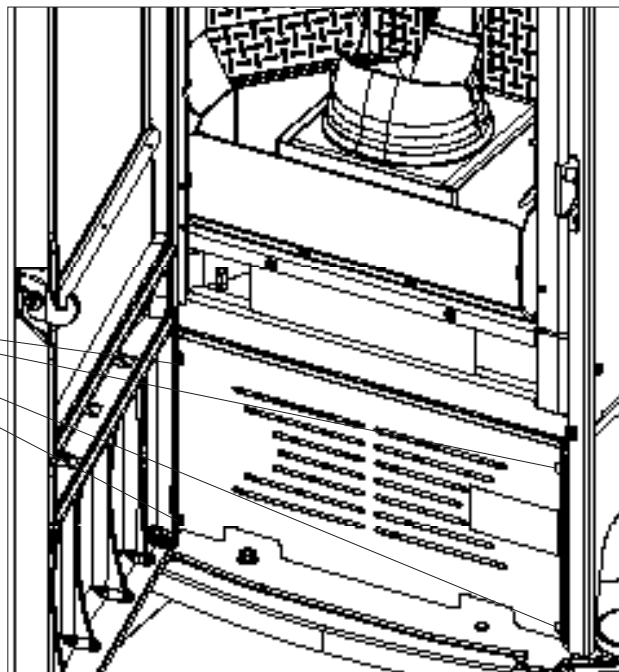


Description of SMALL PARTS	Reference in the Figure above	Quantity
Flat washer 6x12	(10)	8
Bottom bracket to fit side panel	(9)	2
Trilobed screw	(8)	8
Flat galvanised washer 6x24	(7)	4
Top bracket to fit side panel	(6)	2
Flat washer 6x118	(5)	4
Wing nut M6	(4)	4
Inner securing washer	(3)	4
Outer securing washer	(2)	4
Glass securing stud	(1)	4

THE DRAWINGS ARE FOR GUIDANCE ONLY, USEFUL FOR THE INSTALLATION, BUT THEY MAY NOT REFER TO THE SPECIFIC MODEL.

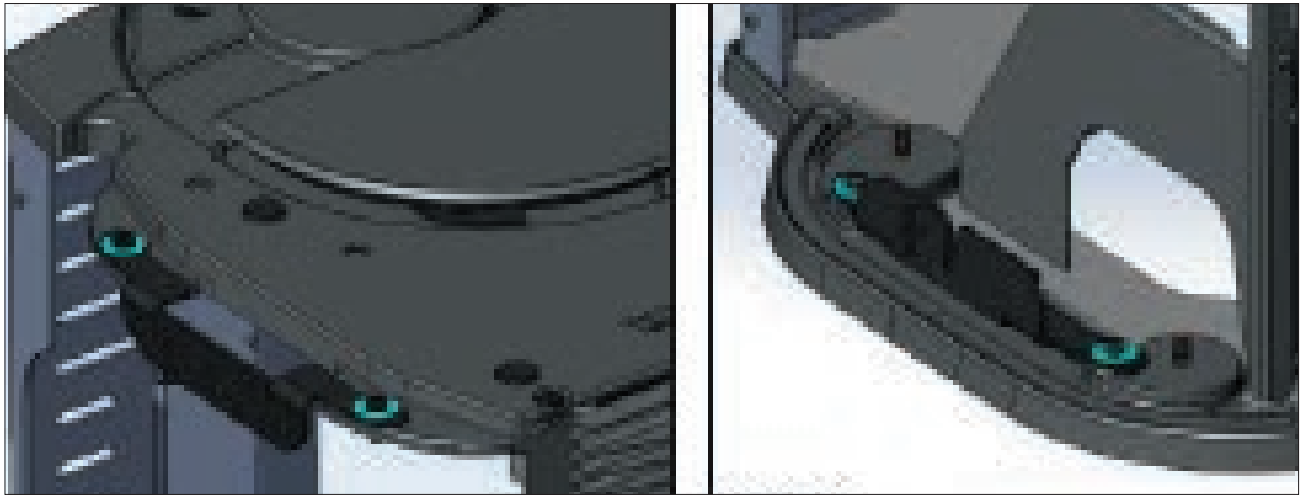
1. Open the combustion chamber door with the protective lever (removable handle P) and unscrew the galvanised lower front panel

Screws to remove the galvanised lower front panel

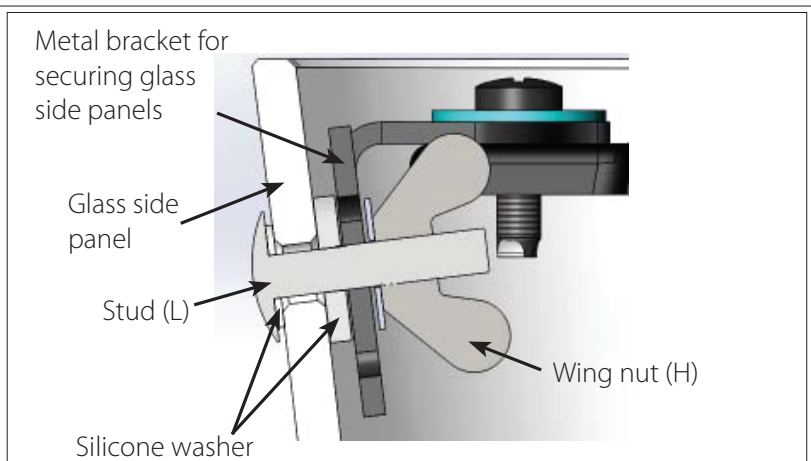
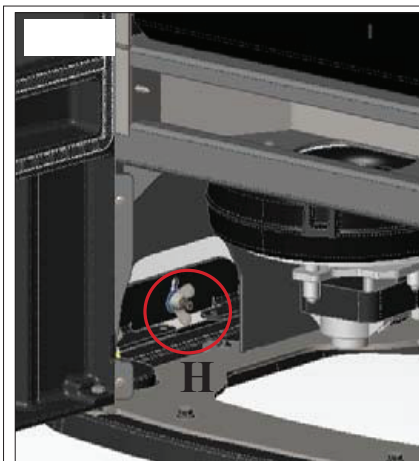
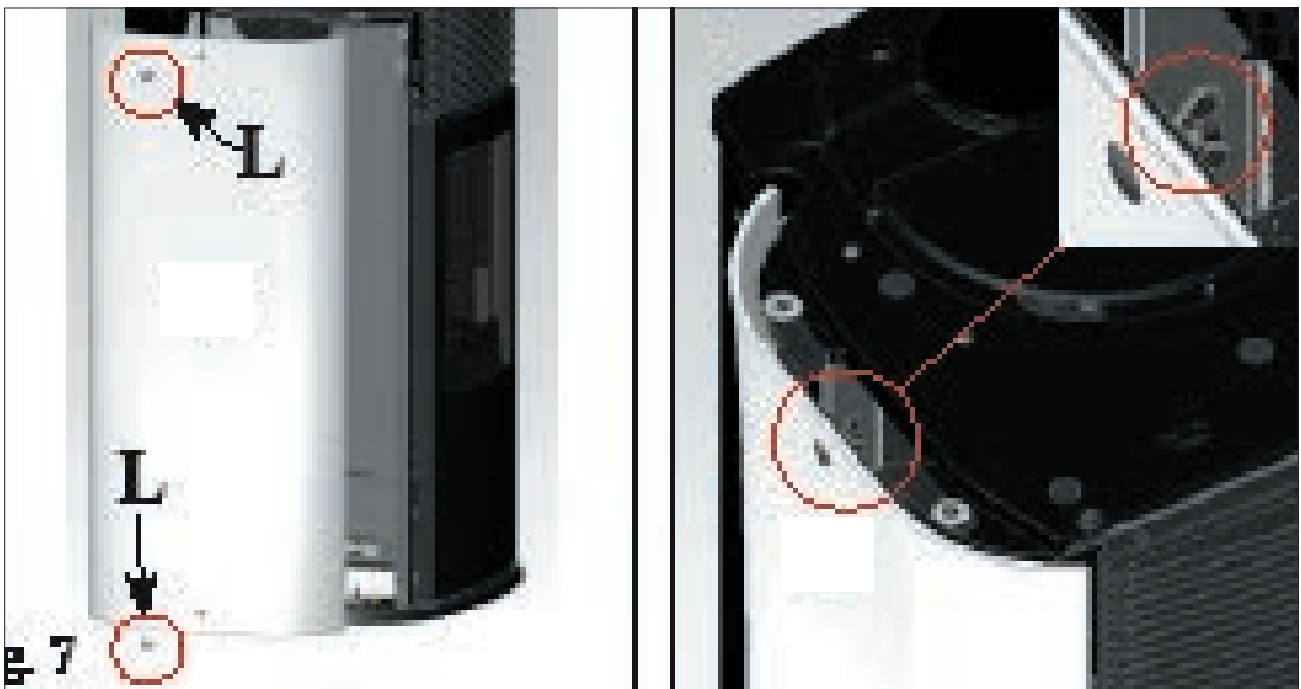


2. Remove the rear metal profiles

3. Fit the top and bottom brackets onto the structure using the screws and flat washers



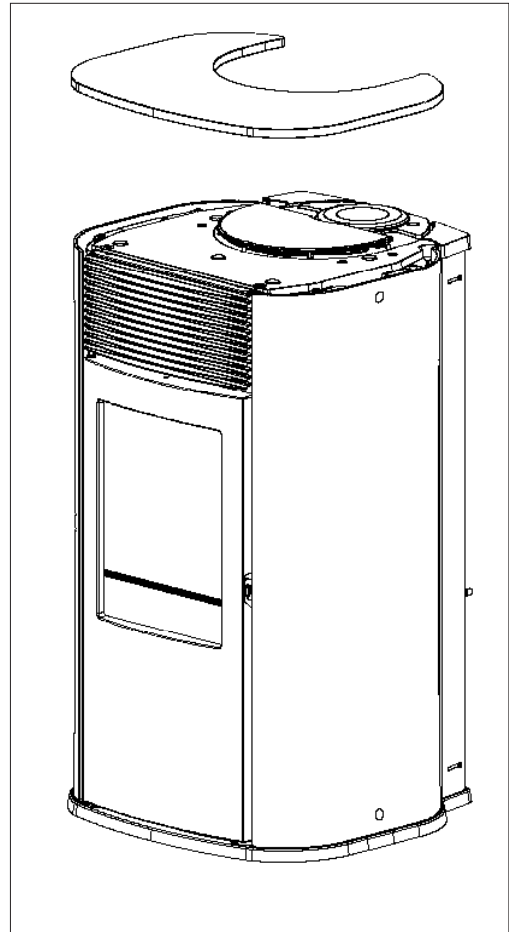
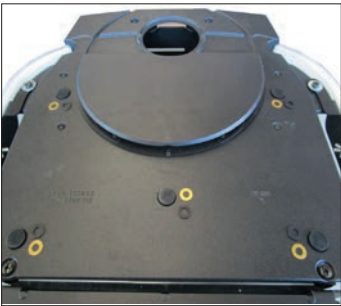
4. Fit the side glass panels, securing them to the top/bottom brackets that had been previously fitted onto the structure, using the wing nuts (4H), the studs (1L) and the silicone washers.



INSTALLER

5. Refit the rear profiles and the galvanised panel that had been removed previously

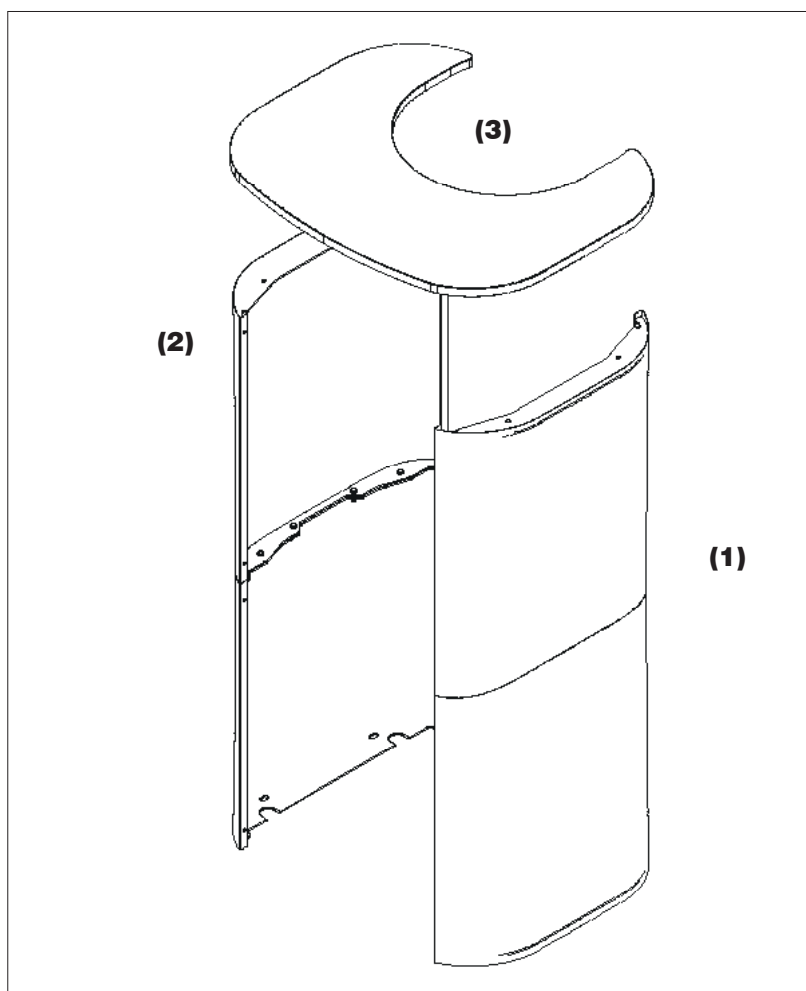
6. Before positioning the glass top, fit the 5 rubbers and 10 washers supplied into their housings in the cast iron top .
Position the top



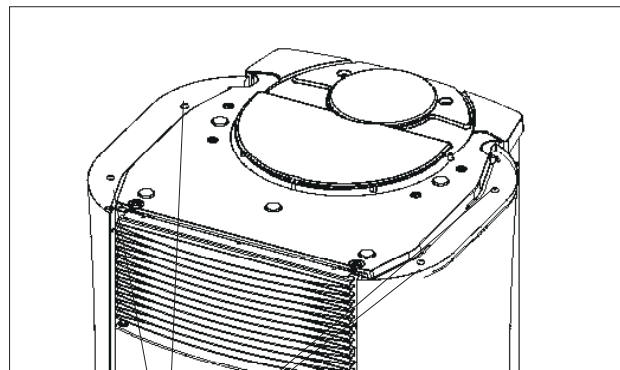
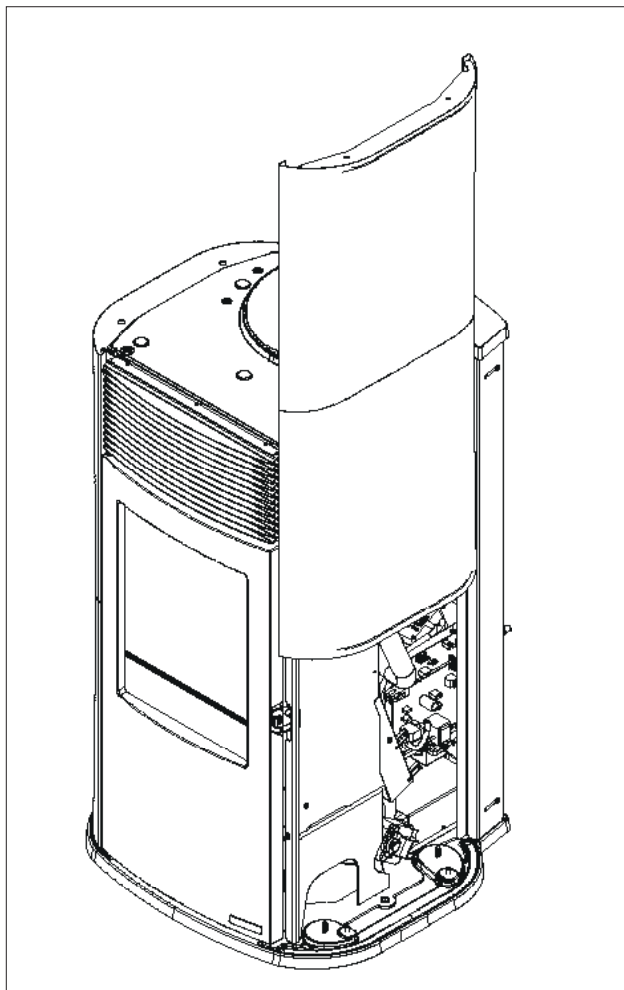
Close the combustion chamber door and check the alignments

Description	Reference in the Figure below	Quantity
Right-hand side	(1)	1
Left-hand side	(2)	1
Top	(3)	1
Small parts (screws)		

The picture below shows the side panels as they are at the end of the assembly

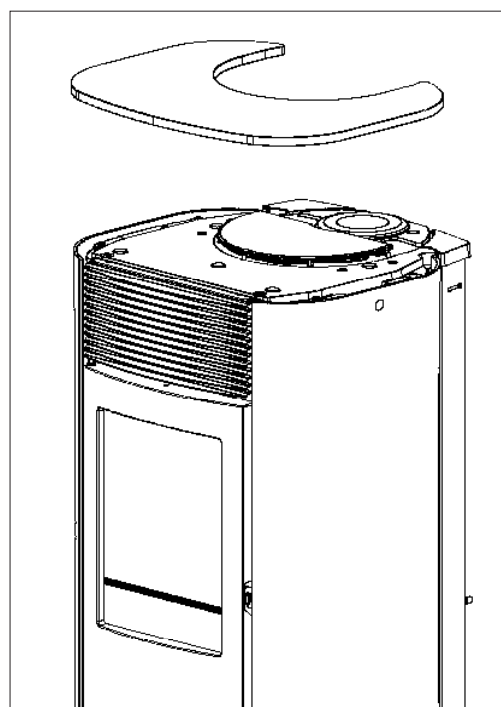


1. Insert the side panel from above and secure it by using the top screws



screws for securing the steel side panels

6. Before positioning the glass top, fit the 5 rubbers and 10 washers supplied into their housings in the cast iron top . Position the top



FIRST IGNITION (COMMISSIONING) PHASES

- Make sure you have read and understood this manual
- Remove all flammable materials from the appliance (manuals, labels, etc.). In particular remove any labels from the glass
- Make sure that the technician performs the first ignition and the first loading of the pellet tank (see "pellet loading")



On first ignition, there may be a slight smell of paint, which will disappear in a short time.

FUEL

Use UNI EN ISO 17225-2 category A1 wood pellets or similar regulatory products with the following characteristics.

- diameter 6 mm
- length 3-4 cm
- humidity <10 %

For reasons of safety and environmental compatibility, DO NOT burn plastic, painted wood, coal, bark or other such materials in the stove.

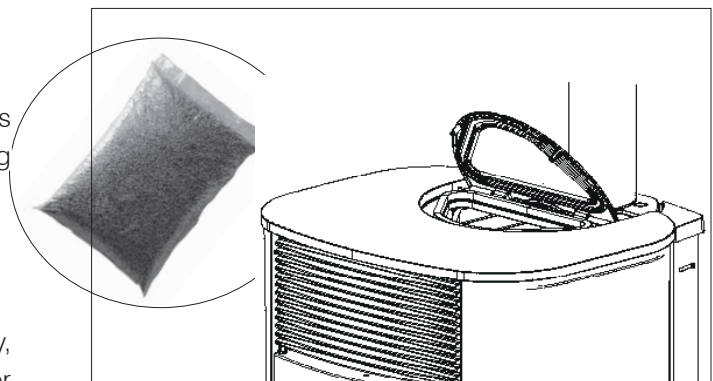
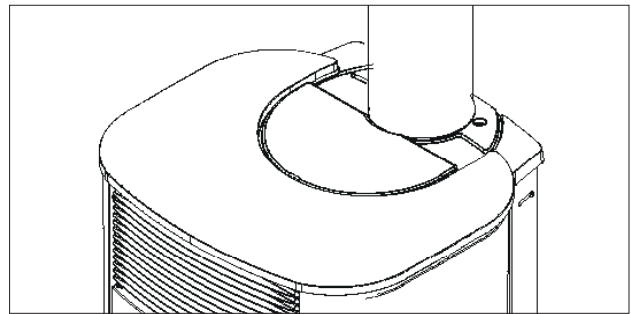
Do not use the stove as an incinerator



Caution
Using fuels other than those specified can damage the appliance

LOADING THE PELLETS INTO THE TANK.

To access the tank, press on the cover * which has a click opening (use the glove if the stove is hot).



When the stove is hot, DO NOT MAKE CONTACT between the pellet bag and the top grille.

Use the provided glove when loading the stove while it is operating and hence hot to the touch.

Make sure not to touch the smoke discharge pipe if hot.



Product can be commissioned only after coverings installation.

Switch on the product only after complete installation including coverings. Risk of electric shock from live device parts.

OPERATION

Description. The access to and adjustment of these functions is described below:

Mode	Size settings
MANUAL	<ul style="list-style-type: none"> power level ventilation level
AUTOMATIC	<ul style="list-style-type: none"> desired room temperature ventilation level*
CRONO	<ul style="list-style-type: none"> desired room temperature, selected per day/hours of the week ventilation level*

* when lowering the ventilation the stove also automatically modulates its power to maintain maximum efficiency.

The stove also has the following supplementary functions.

Function	In which mode it can be activated	What it does
STAND BY	automatic crono	when the desired temperature is reached, the stove shuts off and turns on again when the temperature drops
RELAX	manual auto-automatic crono	enables natural convection mode (fan off), thus reducing the power
NIGHT	manual auto-automatic	is used to program the switching off/on after a set number of hours (maximum 12 hours after)

OPTIONAL CONNECTIONS

The technician can supply, on request: external thermostat, telephone dialler, wi-fi for connection to the logic board.

INTERFACE

The user interface is the remote control but, if this is not available, you can control the stove with the button on the back (see figure below)

1. WITH THE STOVE OFF
press the button for 2" to turn the stove on.
2. WITH THE STOVE ON
press the button for 2" to turn the stove off.
3. WITH THE STOVE ON IN MANUAL MODE
by pressing the button once and releasing it immediately, you can increase the operating power

REMOTE CONTROL

Characteristics:

RF transceiver module, frequency 2.4 GHz Powered by two AAA 1.5 V batteries rated at least 1200 mAh.



Risk of explosion if the batteries are replaced with other batteries of an incorrect type.

BUTTONS

The remote control has 5 buttons

ON/OFF button

manual on/off button and for switching the remote from energy saving mode to active heating.

+/-: to increase/decrease the set values or scroll between the Menu options

M: menu key / relax mode key

OK: confirm key, switches to the next setting and between automatic and manual modes.

NOTES

- The remote control exchanges information with the logic board (including room temperature sensing in automatic mode) every 2' and when it is activated by pressing the ON/OFF button.
- In normal use, the remote control's batteries should last a year. This is an approximate value, since it depends on both the type of batteries and the intensity of use. Edilkamin and the reseller will not consider claims for battery life under any circumstances. If the battery charge is low, a warning displays at the top left (see the paragraph on "If problems arise").



THE TRANSMISSION OF THE SIGNAL FROM THE REMOTE CONTROL TO THE PRODUCT IS CONFIRMED BY AN AUDIBLE SIGNAL.

IF THE AUDIBLE SIGNAL DOES NOT SOUND, THIS MEANS THE BUTTON WAS PRESSED TOO BRIEFLY.

POWER SAVING If it is not used, the display will go black after 20", as the power saving mode is automatically activated. The display turns black without text. This only refers to the remote control, not the product itself.

To activate it, press ON/OFF.

DO NOT PRESS THE ON/OFF BUTTON REPEATEDLY; otherwise in manual mode, you may inadvertently switch the product on and off.



REMOTE CONTROL POWER

- Open the bottom of the remote control and insert the 2 batteries in the way indicated.
- Supply mains power to the product.
- **WHEN YOU HEAR THE AUDIBLE SIGNAL, PRESS THE ON/OFF BUTTON**

Otherwise the remote control will not work.

If at the first switch-on operation the language is not set, the adjacent language selection screen will appear.

Select the language with the +/- keys and confirm it with OK. You are now asked to confirm or set the Time and Date. Set the values with the +/- keys and confirm with OK. The day of the week is calculated automatically using a perpetual calendar.

The display reads the **POSSIBLE STATES** described below:

- OFF STATE

The product is “deactivated” and will not produce heat due to manual switching off using the ON/OFF button on the remote control or due to an external contact (crono, phone dialler)

The display shows the current time, room temperature and the status in relation to which the product is OFF.

The product is in the OFF mode in these cases:

due to manual operation of the user (fig. 1)

due to power failure (fig. 2)

shut off by Crono mode (fig. 3)

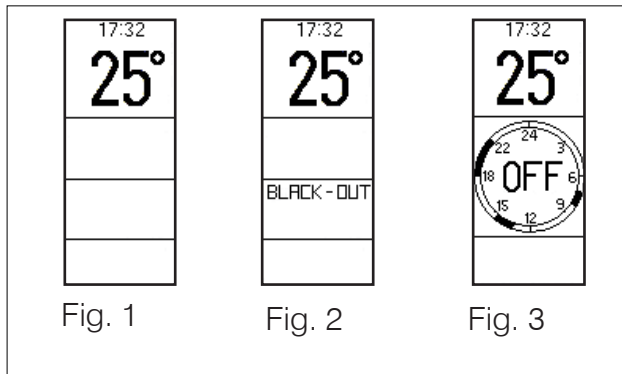


Fig. 1

Fig. 2

Fig. 3

From the OFF page, press the ON/OFF button for 3 seconds to go to the ON page.

Pressing the +/- keys has no effect.

Pressing the M key displays the menu.

- ON STATE

The product is “active” and can produce heat.

The display shows (figure 4)

1. the current time
2. the current room temperature
3. the room temperature setting or manual mode
4. the power level (represented by the flames)
5. the fan level (represented by the filling in of the blades)

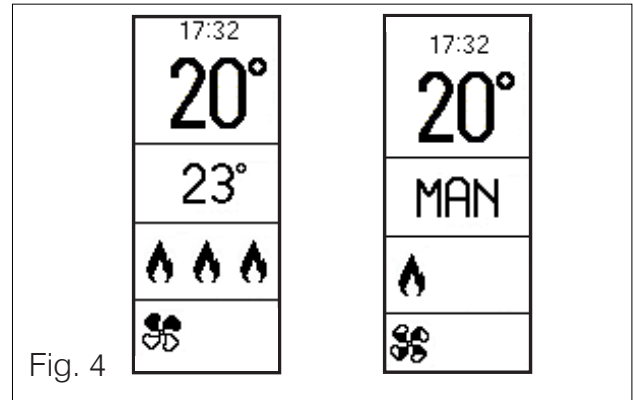


Fig. 4

If timer programming is active, 3 and 4 are replaced by the day's timer programming with the current setpoint at the centre (figure 5) and the temperature displayed at the top right.

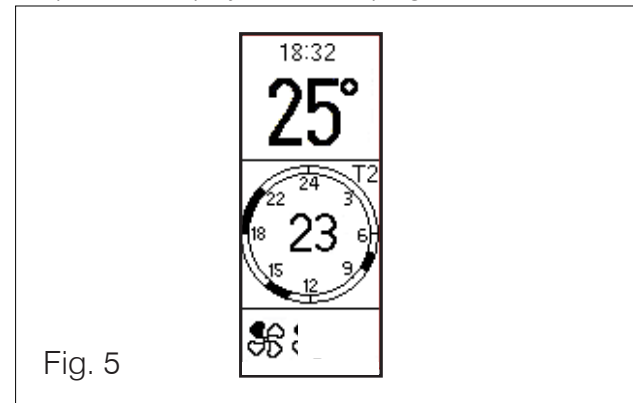


Fig. 5

- ALARM STATE

In case of shutdown due to alarm, 4 is replaced by a message indicating the type of shutdown (figure 6)

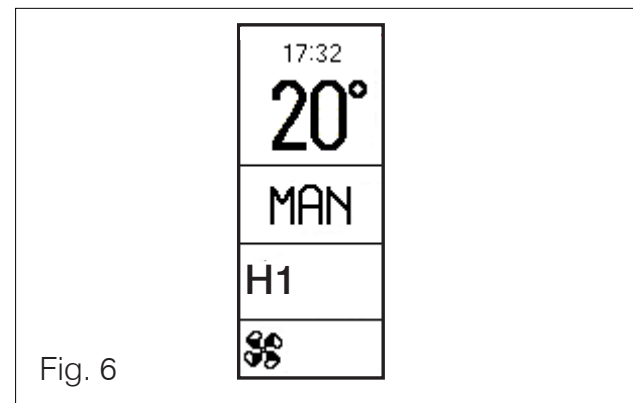


Fig. 6

- ON STATE (STAND BY activated)

In ON mode with STAND BY (the product is “active” but with stand by function enabled) the product turns on only with heating demand.

If the Stand By function is activated, the display shows the same information as in the ON state without flame (on the top left you will see “STB”).



While in stand-by mode, and ON, the product turns on only if there is a heat request

USER CONTROLS (REMOTE CONTROL)

- ON/OFF

- Switch-on/switch-off

- Manual mode setting

- Setting the power
- Setting the fan

- Automatic mode setting

- Setting the required temperature
- Setting the fan

- RELAX function

- From the **Menu page:**

- **Pellet Load** (shown only when the product is OFF)
- **Stand By**
- **Crono**
- **Night** (shown only when the product is ON)
- **Date / time**
- **Display**
- **Language**
- **Beep**
- **Info** (technician only)
- **Technical menu** (technician only)



We describe the procedures below.

ON/OFF

hold the ON/OFF button down to turn the product ON. When ON, the product has a flame (ignition phase, etc.) when there is a heating demand.

Switch-on/switch-off

The ON/OFF button switches the product on (starts the ignition phase) or off (starts the switch off phase) manually **in Manual mode only.**

In Automatic mode, the product responds to the heating demand.

Setting Manual/Automatic

Press the OK button for 2 seconds to switch from manual to automatic or vice versa.

In Manual mode, the display reads "Man"

In Automatic mode, the temperature displays.

In automatic:

Set Room Temperature (read by the remote control, this should be positioned in the room the product is installed in)

Set the temperature setpoint (Set) with the "+" and "-" buttons.

In manual:

Power setting

Set the power level (displayed by the flame symbol) with the "+" and "-" buttons.

The power level displays next to the flame symbol.

Ventilation setting

Follow the instructions below to manually regulate the power levels of the fan.

Press "OK" once

The fan setting displays, next to the blade symbol representing the fan.

Set the fan level using the "+" and "-" buttons.

The blades fill in to indicate the current setting.

Confirm by pressing the OK button for 2 seconds

The fan setting can also follow the room temperature demand (reduce when the temperature is close to the desired temperature or increase vice versa).

To activate this mode, press the + button to above the maximum fan setting. The letter "A" will appear next to the blade symbol.

THE NUMBER NEXT TO THE FAN BLADE OR FLAME ONLY DISPLAYS WHILE THE SETTING IS BEING MADE.



Switching on and off will take a few minutes, during which the flame must appear or go off. Just wait without taking any action.

During ignition, the display shows the text "START".


During switch-off, the display shows the text "OFF".

Relax Function

Natural convection function (without ventilation) with automatic power limiting.

This function is available in all modes: automatic, manual and crono.

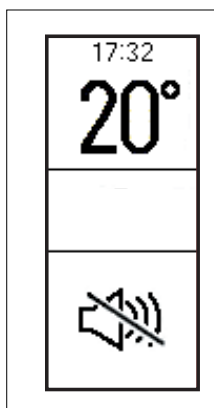
Hold down the “M” button for two seconds to activate the Relax function.

The display shows the symbol  as shown in the figure below.

Hold it down again to deactivate it.

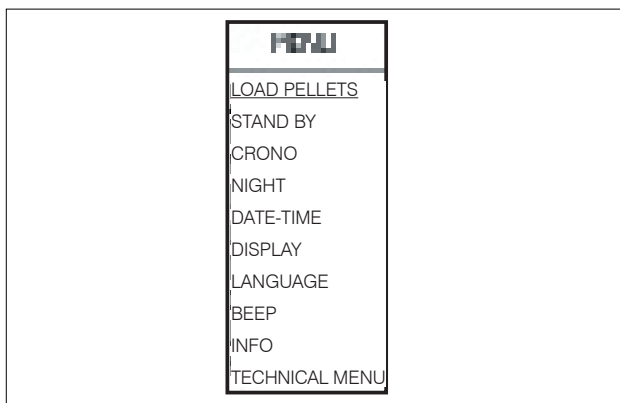
The product reduces its power output and after a few minutes switches the fan off too.

Pressing OK or “+” or “-” in this mode has no effect.



Menu

Press the “M” button to display the menu.



When the menu displays, the buttons have the following functions:

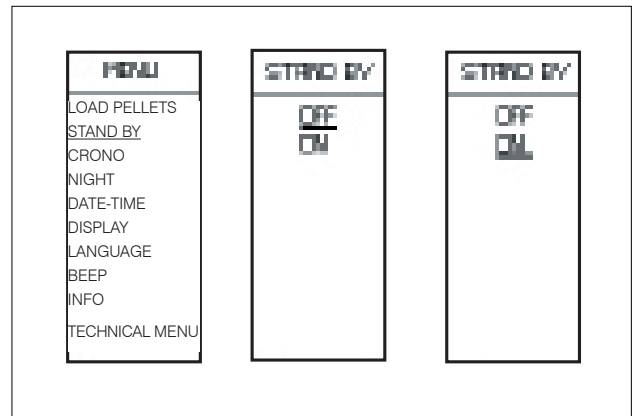
- “+” : scroll up
- “-” : scroll down
- press and release “OK”: enter menu option
- press and release “M”: quit menu option

Press the ON/OFF button to confirm and return to the main screen.

Stand by

When the Stand by function is active, in automatic and crono mode, the product shuts off when the temperature setpoint is reached and turns on again when the room temperature drops.

When the Stand By function is not active, the product sets itself to minimum power when the temperature setpoint is reached.



To access the function from the main menu (as indicated in the Menu section above), press the M button. Scroll using the +/- buttons and select the function by pressing the “OK” button.

Use the “+/-” buttons to select OFF or ON.

To exit without saving, press the “M” button

If you selected ON, the display shows the minutes for which the product will continue running at minimum power even when the temperature setpoint has been reached.

Use the “+/-” buttons to increase or decrease this time in minutes.

Press “OK” for two seconds to confirm and return to the previous menu level.

Press the ON/OFF button to return to the main screen.



The product is programmed by default with a delta of +/- 1°C to optimise comfort.

The technician can change this setting during commissioning to suit the needs of the application.

The display shows the temperature rounded down. This means that 20.1°C and 20.9°C are indicated as “20”.

E.g., with the room temperature set to 20°C, the product will enter modulation mode/switch off when a temperature of 21°C is reached and will switch on again below 19°C.

Crono

When the Crono function is active, the user sets a temperature setpoint and a time zone for which that setpoint is specified.

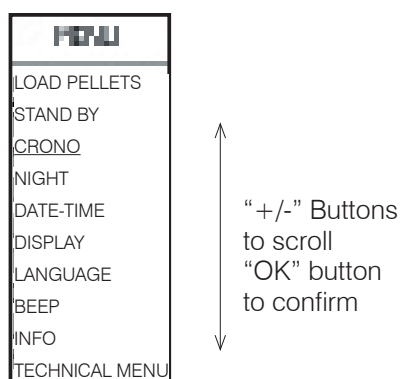
The setting takes different steps, which can also be not consecutive:

- enabling the Crono mode to 7 days a week or on single days (“ENABLE” on the display);
- setting three temperature setpoints, making sure that T1 is always lower than T2 and T2 lower than T3 (“TEMP” on the display);
- combining one of the three temperatures (T1, T2 or T3) with a time period (“SET” on the display).

Once the settings are complete, you can display/change the time periods and the set temperatures (“CHANGE” on the display).

The ON/OFF button always allows you to return to the main screen.

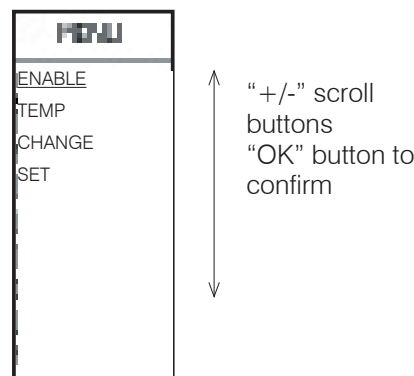
To enter the Crono function from the main menu, press “M” once from the active display. Scroll down to “Crono” (underlined) using the “+/-” buttons. Press “OK” to confirm and select the Crono function. To go back to the previous screen press the “M” button.



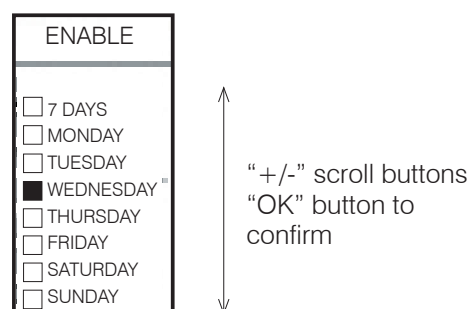
The following screen will appear. Scroll to “ENABLE” (underlined) using the “+/-” buttons.

To enable the Crono function to 7 days a week or on single days (“ENABLE” on the display), press the “OK” button.

To go back to the previous screen press the “M” button.



Scroll to the desired position (eg. “7 DAYS”, underlined) using the “+/-” buttons.

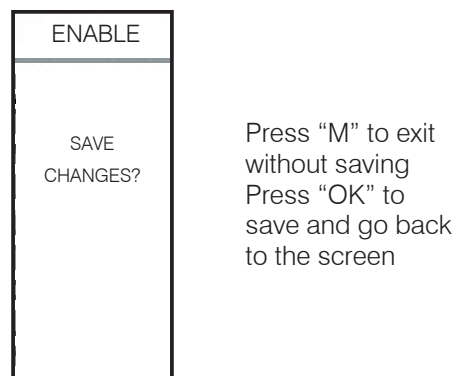


The selected option is identified by a black square on the right, instead of a white one (e.g. on Wednesday if selected).

To continue with other changes, press the “OK” button.

To choose between exit without saving and save, press the “M” button.

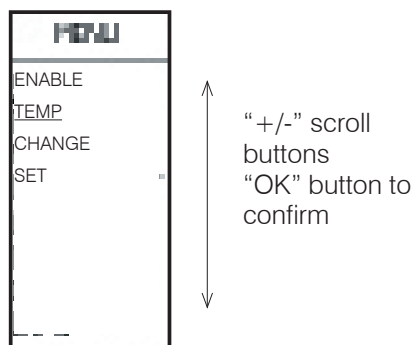
The following screen will appear.



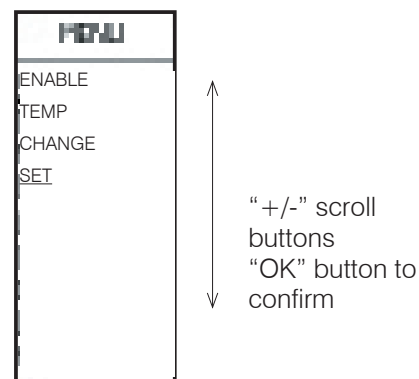
The Crono function is disabled when none of the items is selected.

When the Crono function is disabled, the product operates in automatic mode.

To set the temperature setpoints (“TEMP” on the display), from the Crono function, press the “OK” button. The following screen will appear. Scroll to “TEMP” (underlined) using the “+/-” buttons. Press the “OK” button to confirm and select “TEMP”. Press the “M” button to go back to the previous screen. Press the “OK” button to enter the “I TEMP” function.



To combine one of the three temperatures to a time period (“SET” on the display), from the Crono function, press the “OK” button. The following screen will appear. Scroll to “SET” (underlined) using the “+/-” buttons. Press the “OK” button to confirm and select “SET”. Press the “M” button to go back to the previous screen. Press the “OK” button to enter the “SET” function.

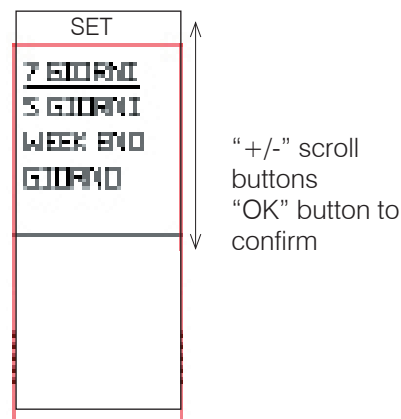
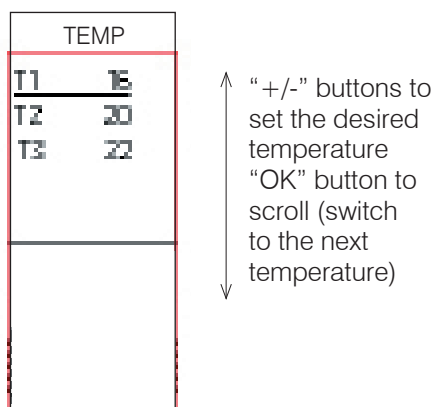


The Crono has three adjustable setpoints: T1, T2 and T3 (screens below).

Press the “OK” button to switch between the setpoints. Use the “+” and “-” buttons to set the desired temperature setpoint for each level.

T1 must always be lower than T2 and T2 than T3: if you try to set a T1 temperature that is greater than T2, T1 temperature will automatically match T2.

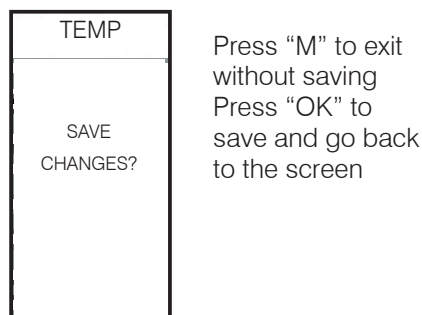
The first page (below) allows you to choose whether to apply the same Crono configuration for 7/7 days, 5/7, weekend only or day by day.



To continue with other changes, press the “OK” button.

To choose between exit without saving and save, press the “M” button.

The following screen will appear.

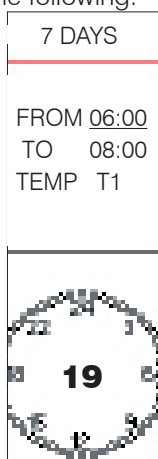


The second screen (accessible by pressing the "OK" button from the first screen) allows you to set the start and end time of the time period matching the chosen temperature setpoint (T1,T2 and T3).

The set temperature is shown in the middle of the clock.

This is done in steps of 30'. The ignition times are indicated by the fact that the dots are black. In zones with white dots, the appliance is OFF

The setting screen is the following.



Press the "+/-" buttons to change the switch-on time. Hold the button down to scroll through the times more quickly.

Press the "OK" button to confirm and go to the end time setting.

Press the "+/-" buttons to change the switch-off time. Hold the button down to scroll through the times more quickly.

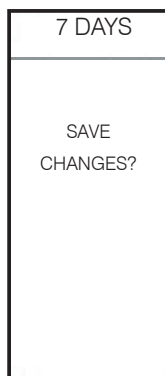
Press the "OK" button to confirm and go to the temperature selection (T1, T2 or T3).

Press the "+/-" buttons to switch between the temperatures

To continue with other changes, press the "OK" button.

To choose between exit without saving and save, press the "M" button.

The following screen will appear.



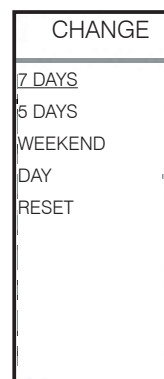
Press "M" to exit without saving
Press "OK" to save and go back to the screen

To view/change the settings ("CHANGE" on the display), from the Crono function, press the "OK" button. The following screen will appear.

Scroll to "CHANGE" (underlined) using the "+/-" buttons.

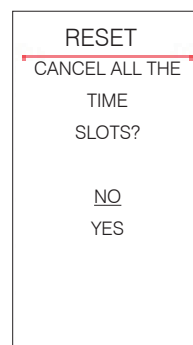
Press the "OK" button to confirm and select "CHANGE".

To go back to the previous screen press the "M" button.



↑
" +/- " scroll buttons
"OK" button to confirm
↓

From the "CHANGE" function, in addition to changing/ viewing the "7 DAYS", "5 DAYS", "WEEKEND", "DAY" programming, you can **erase all time settings using the "RESET" function**



Use the "+/-" buttons to switch between YES and NO
Press the "OK" button to continue with other changes

NOTE

When the Crono function is enabled, press the On/ Off button to switch on/off the product outside the programmed times.

This causes the deactivation of the crono function.

Follow the instruction in the paragraph Crono to re-enable the Crono function.

Night (deferred switching on/off)

This function switches the product on/off after a set period from activation of the function.

This is convenient if you go to bed and want the product to switch on/off after a few hours (12 hours maximum).

Activating the Night function

To access the function from the main menu (as indicated in the Menu section above), press the M button. Scroll using the +/- buttons and select the function by pressing OK.

Use the "+/-" buttons to activate/deactivate the function.

To exit without saving, press the "M" button.

Confirm by pressing the "OK" button for two seconds

Setting the hours

Press "+" to increase the duration.

To exit without saving, press the "M" button.

Confirm by pressing the "OK" button for two seconds

Press ON/OFF to return to the main screen.

With the Night Function active, the display shows the moon in the top left corner.

To quit the function, return to the menu and set the Night function to deactivated. The procedure is the same as for activation.

Load Pellets

Allows you to load pellets after the screw feeder has emptied following a no-pellets alarm.

Useful for the technician during commissioning.

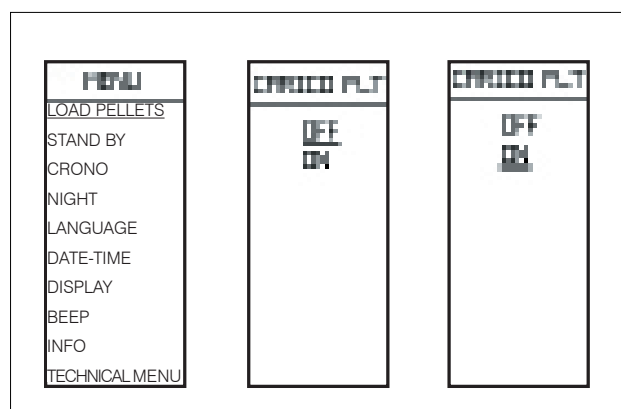
Available only in the OFF state. If you attempt to activate the function in other states, access is not granted.

To access the function from the main menu (as indicated in the Menu section above), press the M button. Scroll using the +/- buttons and select the function by pressing OK.

Use the "+/-" buttons to activate/deactivate the function.

Press "M" to quit without saving.

Confirm by pressing the "OK" button for 2 seconds.



Language

Selects the language.

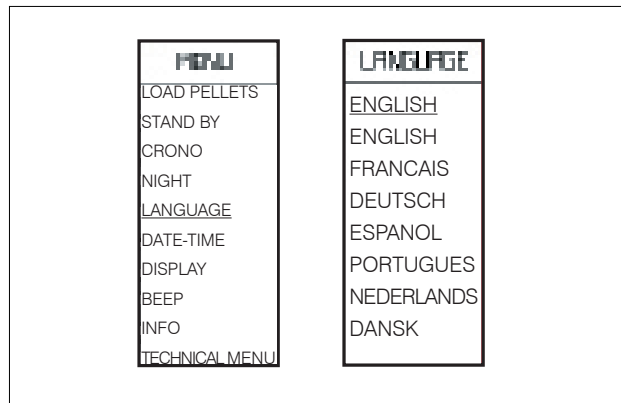
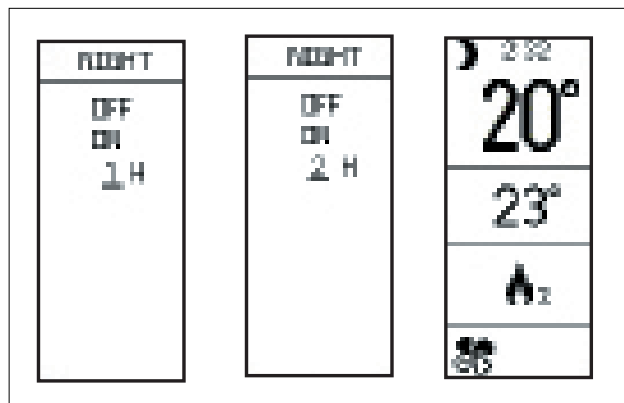
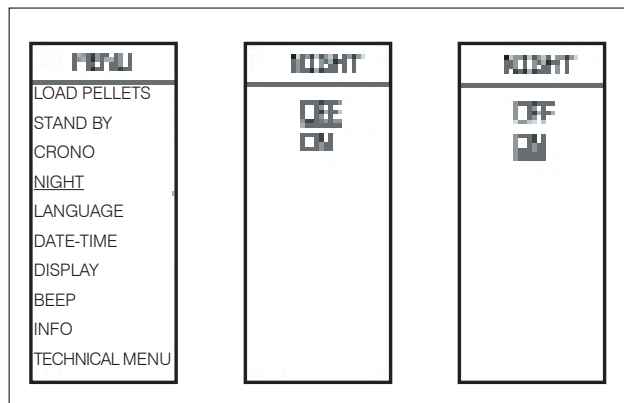
This displays the first time the remote is activated with the product powered on, or by selecting the option in the menu.

To access the function from the main menu (as indicated in the Menu section above), press the M button. Scroll using the +/- buttons and select the function by pressing OK.

Use the "+/-" buttons to select the language.

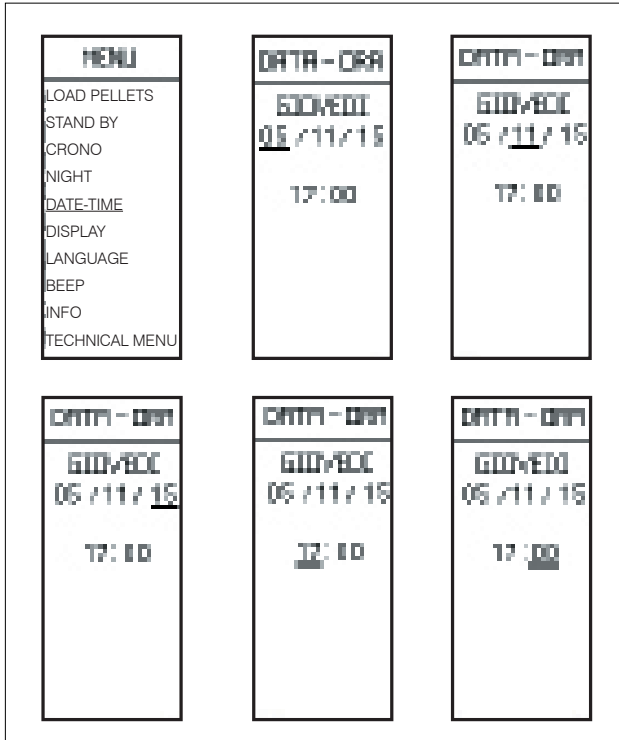
To exit without saving, press the "M" button.

Confirm by pressing the "OK" button for two seconds.



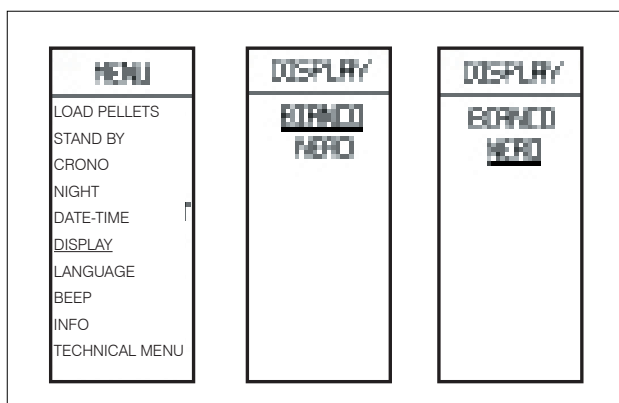
Date/Time

Sets the current date/time.
 This displays the first time the remote control is activated with the stove powered on, or by selecting the option in the menu.
 To access the function from the main menu (as indicated in the Menu section above), press the M button. Scroll using the +/- buttons and select the function by pressing OK.
 Use the "+/-" buttons.
 Press "M" to quit without saving.
 Confirm by pressing the "OK" button for 2 seconds.



Display

It allows you to choose the background of the display, from white to black, or deactivate the lighting (Led ON - Led OFF).
 To access the function from the main menu (as indicated in the Menu section above), press the M button. Scroll using the +/- buttons and select the function by pressing OK.
 Use the "+/-" buttons to select the colour.
 Press "M" to quit without saving.
 Confirm by pressing the "OK" button for 2 seconds.



Beep

Allows you to enable/disable the beep.
 To access the function from the main menu (as indicated in the Menu section above), press the M button. Scroll using the +/- buttons and select the function by pressing OK.
 Use the "+/-" buttons to select On/Off.
 Press "M" to quit without saving.
 Confirm by pressing the "OK" button for 2 seconds.

Info

These readings should only be done when requested by the technician.
 The technician understands the diagnostic meaning of the messages and numbers, and may ask you to read them to him/her if you experience problems.

Technical menu

Accessible only to an authorised technician with the appropriate password.

**Before doing any maintenance, disconnect the appliance from the mains.
Regular maintenance is essential to keep the appliance in good working order.
Failure to service the product properly will prevent it from working properly.
Any problems due to failure to service the stove will void the warranty.**

DAILY MAINTENANCE

These jobs should be done with the product off, cold and preferably disconnected from the mains.

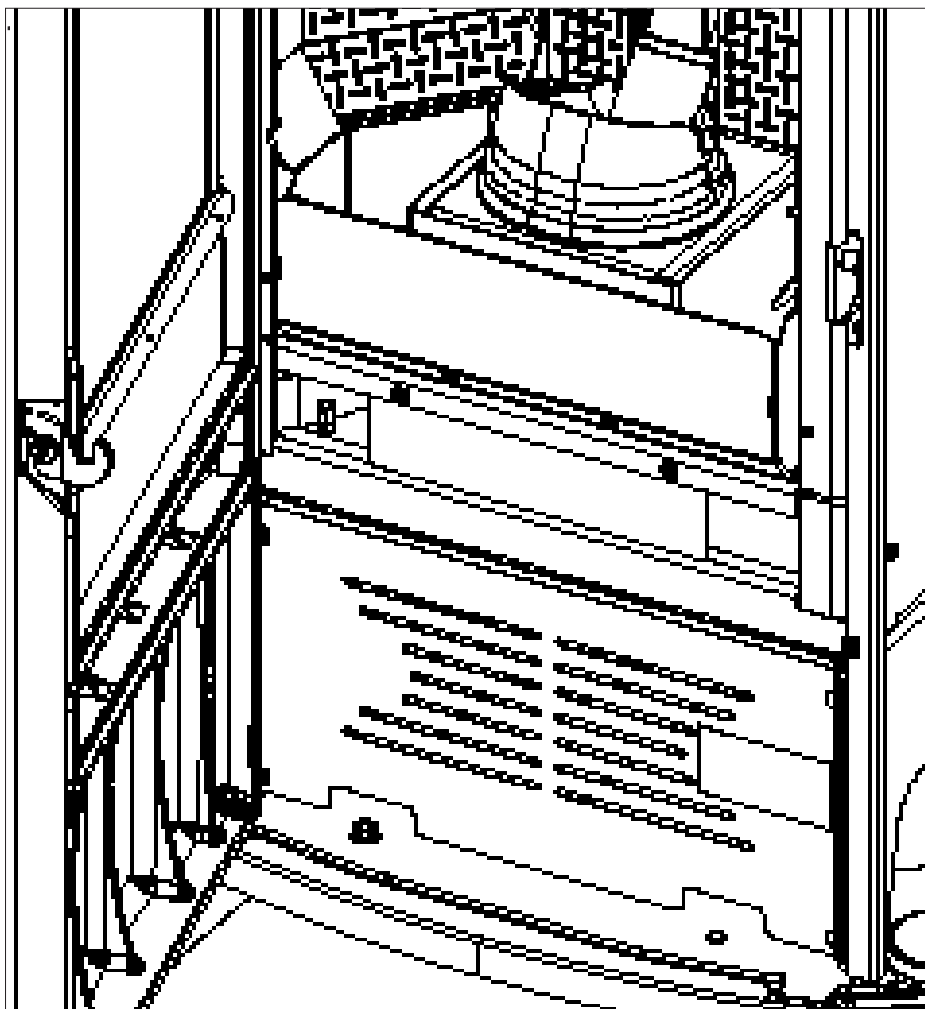
A suitable vacuum cleaner is required.

The entire procedure takes just a few minutes.



Using the stove without cleaning the burning pot can cause the gas in the combustion chamber to ignite and lead to detonation

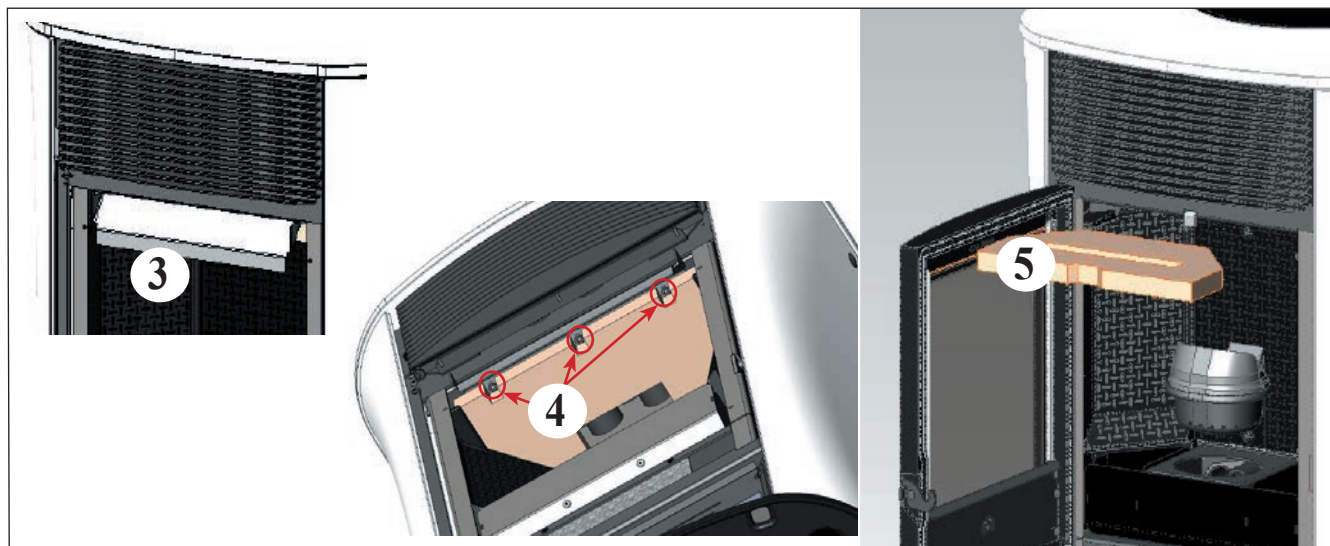
1. Open the combustion chamber door (P) using the removable handle provided.
2. The burning pot (A) slips into position in its housing. Empty the ash tray(B) and burning pot into a non-flammable container (the ashes may still contain embers and/or hot parts) or vacuum if cold. Vacuum out the interior of the combustion chamber, the bed, and the compartment around the burning pot into which the ash falls.
3. Scrape the burning pot with the provided scraper and clean out any obstructed holes.
4. If necessary, clean the glass when cold using a dedicated product (e.g. Glasskamin), which your dealer should have.



- Do not dump the cleaning residue into the pellet tank.
- Make sure that the ash tray, once re-mounted, is properly positioned in its housing, if not the glass may break by hitting it.
- Ensure that the burning pot is properly positioned in its housing following maintenance, otherwise the stove may have problems igniting.

WEEKLY MAINTENANCE

- Remove the ceiling panel (5) and tip the residue into the ash tray (2 - Fig. B). The ceiling panel can only be removed after the deflector has been removed (3 - Fig. C) by removing the 3 screws under the deflector itself (4 - Fig. C).
- The ceiling panel is subject to wear; Edilkamin cannot be held responsible for breakage, especially if this occurs when it is being removed or repositioned.
- Empty the pellet tank and vacuum clean the bottom.



SEASONAL MAINTENANCE

(to be carried out by the technical assistance centre)

This consists of cleaning the stove inside and out.

If the product is used intensively, we recommend cleaning the fumes duct and flue every 3 months.

You should clean the chimney system at least once a year (check local regulations for details).

If you fail to regularly clean and inspect the system, there is an increased risk of the chimney pot catching fire.

We recommend against using compressed air to clean the combustion air inlet.

SUMMER SHUTDOWN

During the period of disuse, keep the stoves doors, hatches and lids closed.

We recommend emptying out the pellet tank.

SPARE PARTS

For any spare parts, contact your dealer or technician. Using non-original spare parts may damage the appliance and relieves Edilkamin of all liability for damage resulting such use.

DISPOSAL

At the end of its service life, dispose of the product as required by regulations.



In accordance with art. 26 of Legislative Decree no. 49 of 14th March 2014, "Implementation of Directive 2012/19/UE on the disposal of electrical and electronic devices (RAEE)".

The crossed-out dustbin symbol displayed on equipment or its packaging indicates that the product at the end of its life must be collected separately from other waste.

At the end of its useful life, the user should therefore deliver the product to a suitable local sorted collection centre for electrical and electronic devices.

Sorted collection for recycling, treatment and environmentally compatible scrapping contributes to the prevention of negative effects on the environment and health, and promotes the re-use and recycling of the materials of which the equipment is made.

If problems occur, the product shuts itself off automatically.

The display will show the reason (see below).

Do not disconnect from the power supply.

To start the appliance up again, allow the shutdown procedure to complete, then press the ON/OFF button on the remote control or the simplified ignition button.

Before starting the product up again, check the reason for the shutdown and CLEAN THE BURNING POT.

The product is equipped with a safety valve but, if the burning pot is not cleaned regularly as explained above, ignition may involve a small detonation. If white smoke forms in the combustion chamber for a long time, disconnect the mains supply and wait 30 minutes before opening the door and emptying out the burning pot.

SHUTDOWN MESSAGES AND THEIR SOLUTIONS:

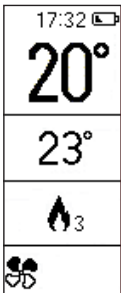
MESSAGE	PROBLEM	SOLUTION
H01	displays when the combustion air intake is below the set level	<ul style="list-style-type: none"> • Check that the combustion chamber door is closed • Check the regular maintenance of the stove • Check that smoke discharge and combustion air ducts are clean
H02	displays when the logic board is not detecting the right fumes fan speed	<ul style="list-style-type: none"> • Contact the technician
H03	displays when the thermocouple detects a fume temperature lower than the set value and interprets this as the absence of flame	<ul style="list-style-type: none"> • Check that there are pellets in the tank • Contact the technician • Check that the tank is closed*
H04	displays when ignition times out unsuccessfully	<p>There are two possibilities:</p> <p>NO flame:</p> <ul style="list-style-type: none"> • Check that the burning pot is seated properly and is clean • Check that there are pellets in the tank and burning pot • Use a piece of solid paraffin to light the stove (contact the technician first) <p>Flame present:</p> <ul style="list-style-type: none"> • Contact the technician
H05	Shut-down due to failure of the air flow reading sensor	<ul style="list-style-type: none"> • Contact the technician
H06	displays when the logic board determines that the fumes thermocouple is broken or disconnected	Contact the technician

MESSAGE	PROBLEM	SOLUTION
H07	Shut-down due to exceeding maximum fumes temperature.	<ul style="list-style-type: none"> • Check the type of pellet (contact the technician if in doubt) • contact the technician
H08	Switching OFF due to excessive overheating of the product.	<ul style="list-style-type: none"> • see H07
H09	Shut-down due to gearmotor failure.	<ul style="list-style-type: none"> • Contact the technician
H10	Switching OFF due to circuit board overheating.	<ul style="list-style-type: none"> • Contact the technician
H11	Switching OFF due to the intervention of the safety pressure switch.	<ul style="list-style-type: none"> • Ensure the stove and flue are clean • Check that the combustion chamber door is closed
H12	Room temperature probe failure. The product is operating in manual mode.	<ul style="list-style-type: none"> • Contact the technician

* If the pellets do not enter the combustion chamber, check that the pellet tank is closed.
In fact, a safety switch shuts down the appliance if the pellet tank remains open.

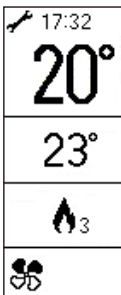
MESSAGES WHICH DO NOT SHUT THE STOVE DOWN, BUT ARE SIMPLY WARNINGS**LOW REMOTE CONTROL BATTERY LEVEL:**

The battery symbol will appear on the remote control display if the battery is low.

**MAINTENANCE:**

A wrench symbol is shown on the display after 2000 hours of operation.

The product is working, but it must be serviced by an authorised Edilkamin technician.





EDILKAMIN
TECNOLOGIA DEL FUOCO

www.edilkamin.com

cod. 94882-GB 09.18/E