

HAAAS + SOHN

Geräteblatt HSP 6 Pallazza III 519.08, 534.08

Geräteblatt Pelletofen	DE
Fiche technique Poêle à pellets	FR
Scheda tecnica Stufe pellet	IT
Equipment sheet Pellet stove	GB
Tehnički list Kotel na pelete	HR
Tehnični list Kotel na pelete	SLO

Notes in the text



Of utmost importance there are the notes entitled **WARNING**. The notes entitled **WARNING** advise you on **serious danger of damage to the heating device or of an injury**.



The note entitled **Notice** advises you on possible damage to your heating device.



The note entitled **Important** calls your attention to the information important for the operation of your heating device.



The note itself calls your attention to the information important for the operation of your heating device in general.

Contents

1. Technical data	1
2. Dimensions	2
2.1. Dimensions HSP 6 Pallazza III 519.08	2
2.2. Dimensions HSP 6 Pallazza III 534.08	2
3. Cleaning work	3
3.1. Cleaning the surface	3
3.2. Cleaning the glass panel	3
3.3. Clean combustion chamber "function instruction" Error F040.....	3
3.4. Cleaning the combustion pot - weekly	3
4. Maintenance work	5
4.1. Cleaning the pellet container - annual maintenance	5
4.2. Cleaning the flue gas passes - long-time	6
5. Replacement parts list	9
5.1. Replacement parts list HSP 6 Pallazza III 519.08, 534.08 (without trim parts)	9
5.2. Replacement parts list HSP 6 Pallazza III 519.08	11
5.3. Replacement parts list HSP 6 Pallazza III 534.08	13
5.4. Detail A1	15
6. Circuit diagram	16

1. Technical data

	HSP 6 Pallazza III 519.08	HSP 6 Pallazza III 534.08
Heat output range:	2,4 – 8,3 kW	2,4 – 8,3 kW
Nominal heat output:	8,0 kW	8,0 kW
Height:	1002 mm	1193 mm
Width:	557 mm	557 mm
Depth:	493 mm	493 mm
Weight:	96/143/115 kg	106/137 kg
Diameter of flue elbow:	80 mm	80 mm
Flue gas temperature:	206°C	206°C
Testing transport pressure at nominal output:	11 Pa	11 Pa
Testing transport pressure at partial output:	5 Pa	5 Pa
Flue gas flow rate in g/s	5,6 g/s	5,6 g/s
CO level in flue gas (%) (min./max.)	0,001/0,023 %	0,001/0,023 %
Efficiency:	90/95%	90/95%
CO level in flue gas:	15 mg/Nm ³	15 mg/Nm ³
NOx level in flue gas:	143/- mg/Nm ³	143/- mg/Nm ³
OGC level in flue gas:	<5 mg/Nm ³	<5 mg/Nm ³
Proportion of dust in flue gas:	9/- mg/Nm ³	9/- mg/Nm ³
Contents of storage container (pellet tank):	about 17 kg	about 32 kg
Duration of burn with one charge (min./max.):	about 10 h/30 h	about 20 h/60 h
Permitted fuel: Low-dust wood pellets	Diameter: 6 mm	Diameter: 6 mm
to Ö-Norm M 7135, DIN plus, EN plus-A1	Length: max. 30 mm	Length: max. 30 mm
Room heating capacity to Ö-Norm M 7521:	max. 230 m ³	max. 230 m ³
Room heating capacity to DIN 18893, constant heating:	250m ³ /145m ³ /98m ³	250m ³ /145m ³ /98m ³
Room heating capacity to DIN 18893, timed heating:	165m ³ /95m ³ /65m ³	165m ³ /95m ³ /65m ³
Electricity supply:	230 V (50 Hz)	230 V (50 Hz)
Electricity supply input:		
in normal operation:	max. 50 W	max. 50 W
Electric ignition (for max. 15 minutes on ignition):	max. 380 W	max. 380 W
Electronics fuses: (F3)	T 0,315 A, 250 V	T 0,315 A, 250 V
Fuses for the ignition, screw conveyor motor, induced draught, (F1)	T 3,12 A, 250 V	T 3,12 A, 250 V

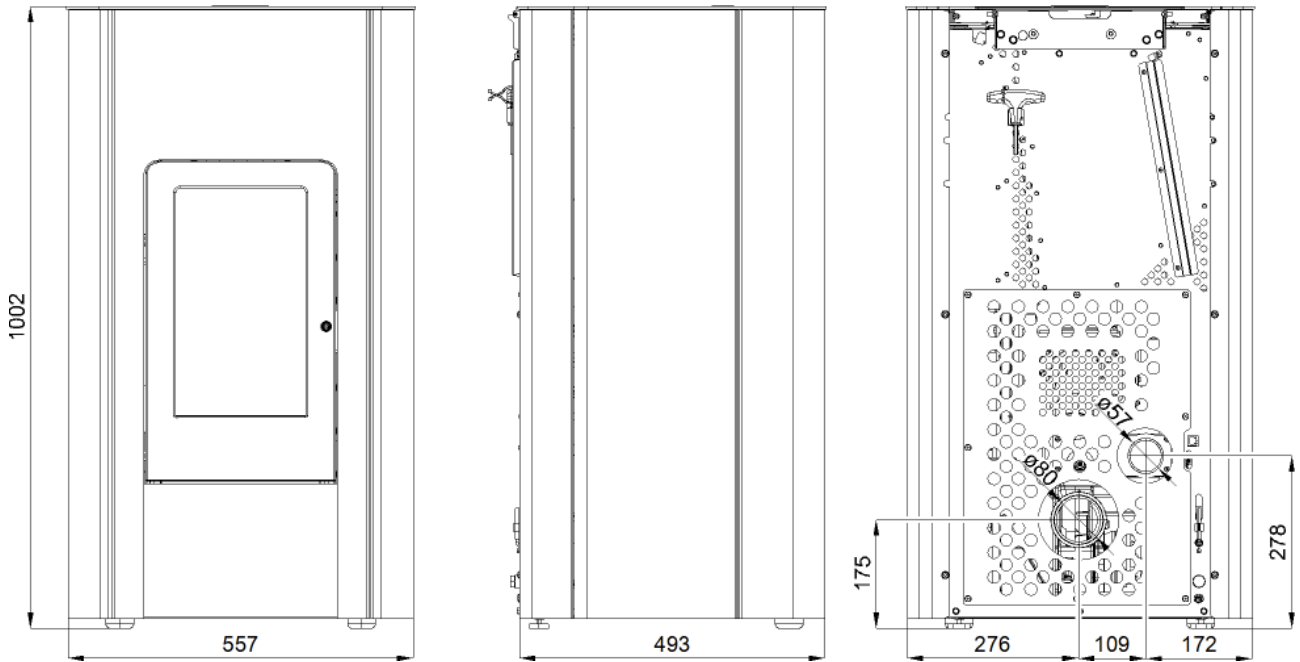
Safety distances

Minimal distances from flammable materials:	side:	15 cm
	rear:	10 cm
	front (radiation area):	80 cm

2. Dimensions

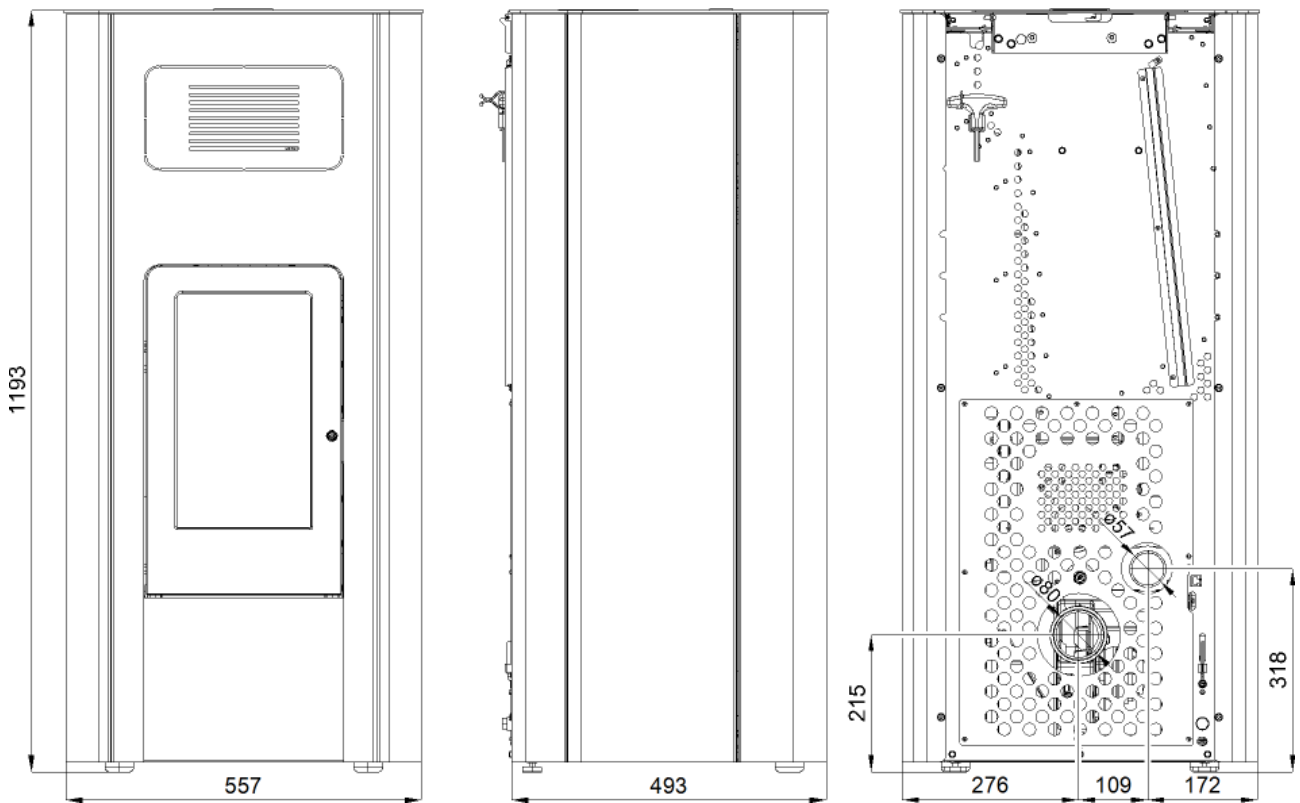
2.1. Dimensions HSP 6 Pallazza III 519.08

Dimensions



2.2. Dimensions HSP 6 Pallazza III 534.08

GB



3. Cleaning work



WARNING

Before starting any cleaning work, the stove must be cool down! The mains plug must be pulled out of the power supply socket (always in advance)!
Once the cleaning work is completed, the correct operating status of the device must be re-established: Put the combustion pot in correctly, close the combustion chamber door.

3.1. Cleaning the surface

Dirt on the upper surface of the stove may be cleaned off with a damp cloth or if necessary with mild soapy water. You are advised against using corrosive cleaning agents and solvents since these might damage the surfaces.

3.2. Cleaning the glass panel

To clean the viewing panel, you must first open the stove door. Dirt on the glass panel can be removed with a glass cleaner or with a damp sponge on which you have sprinkled some of the wood ash present. (Environmentally friendly). Cleaning the glass panel may only be done with a cooled down stove in the OFF operating mode.

3.3. Clean combustion chamber “function instruction” Error F040

- The whole combustion space must be cleaned after **30-hours operation at the latest, or once a week**.
- The requirement to clean the fire-box (flickering of the display) appears during heating, in case that the cleaning interval has elapsed.
- After the fire-box has been cleaned, the error message "Clean the fire-box" will be confirmed automatically. The condition for automatic confirmation of this error message is that the fire-box door is opened for more than **60 seconds**. This time is necessary for careful cleaning of the fore-box, including the burner.
- This reset of the operating hours counter occurs even if the cleaning of the combustion chamber is performed before the 30 operating hours have run provided that the stove is in “Off” operating status and the door is open for longer than 60 seconds during cleaning.

3.4. Cleaning the combustion pot - weekly

During operation, deposits may form in the combustion pot. How quickly the combustion pot becomes dirty depends solely on fuel quality. The deposits or encrustations must be removed from time to time.



WARNING

If this is not done, the clinker will continue to accumulate. Then the device will no longer be able to ignite properly. Pellets can pile up in the combustion pot. In extreme cases, this can reach all the way back to the pellet chute. Backfire in the pellet container and smouldering in the pellet tank might possibly result.

This will destroy your device and is not covered in your guarantee.



WARNING

Cleaning the combustion pot may only be done with a cooled down stove in “OFF” operating mode. Otherwise there is a risk of burns!

- Take out the burner bowl from the stove.
- Remove the remains of ashes and slag.
- After the cleaning, mount the burner bowl back to its proper position on the burner rest.
- Re-check the proper seating of the burner bowl, in order to avoid any lack of tightness.

4. Maintenance work



WARNING

Before starting any cleaning work, the stove must be cool down! The mains plug must be pulled out of the power supply socket (always in advance)!

The frequency of maintenance in turn depends to a large extent on the pellet quality (ash content). Quality pellets have a low ash content of about 0.2-0.3%. However, if the ash content is higher (0.5% and over), the interval from maintenance to maintenance is reduced and the accumulation of ash increases by 2 or 3 times.



WARNING

Devices that are not maintained in accordance with our specifications must not be operated. Failure to observe this point will invalidate all guarantee claims.

4.1. Cleaning the pellet container - annual maintenance

- Heat the pellet stove until the storage tank is completely empty.
- Then the protective grille (1) in the pellet tank may be removed.
- Then clean the tank and the intake of the screw conveyor housing with a vacuum cleaner.
- After cleaning, it is essential to put back the protective grille. When doing this, make sure that no screws fall into the pellet tank so as to avoid consequential damage to the screw conveyor.

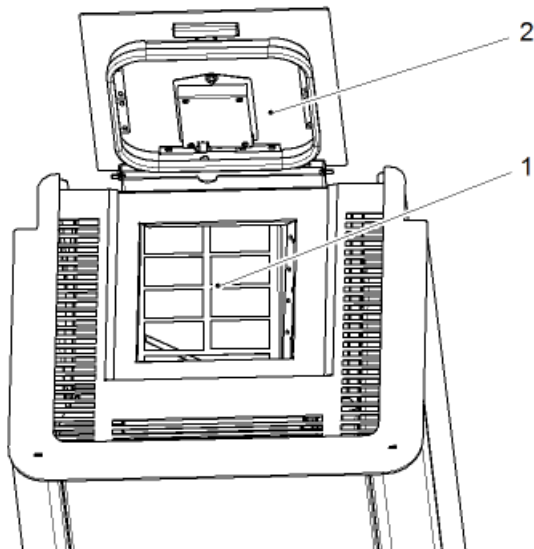


Figure 1: Pellet tank

- 1 Protective grille
- 2 Tank cover

4.2. Cleaning the flue gas passes - long-time



CAUTION

After the consumption of 1000 kg of pellets at the latest, it is recommendable to check & clean the conduits of combustion products, the (induced) draught fan and the smoke flues. For cleaning, employ a brush or an ash exhauster.

Please perform the long-time cleaning in two steps:

- Carry out the cleaning as pr the Fig. 2.

Maintenance work

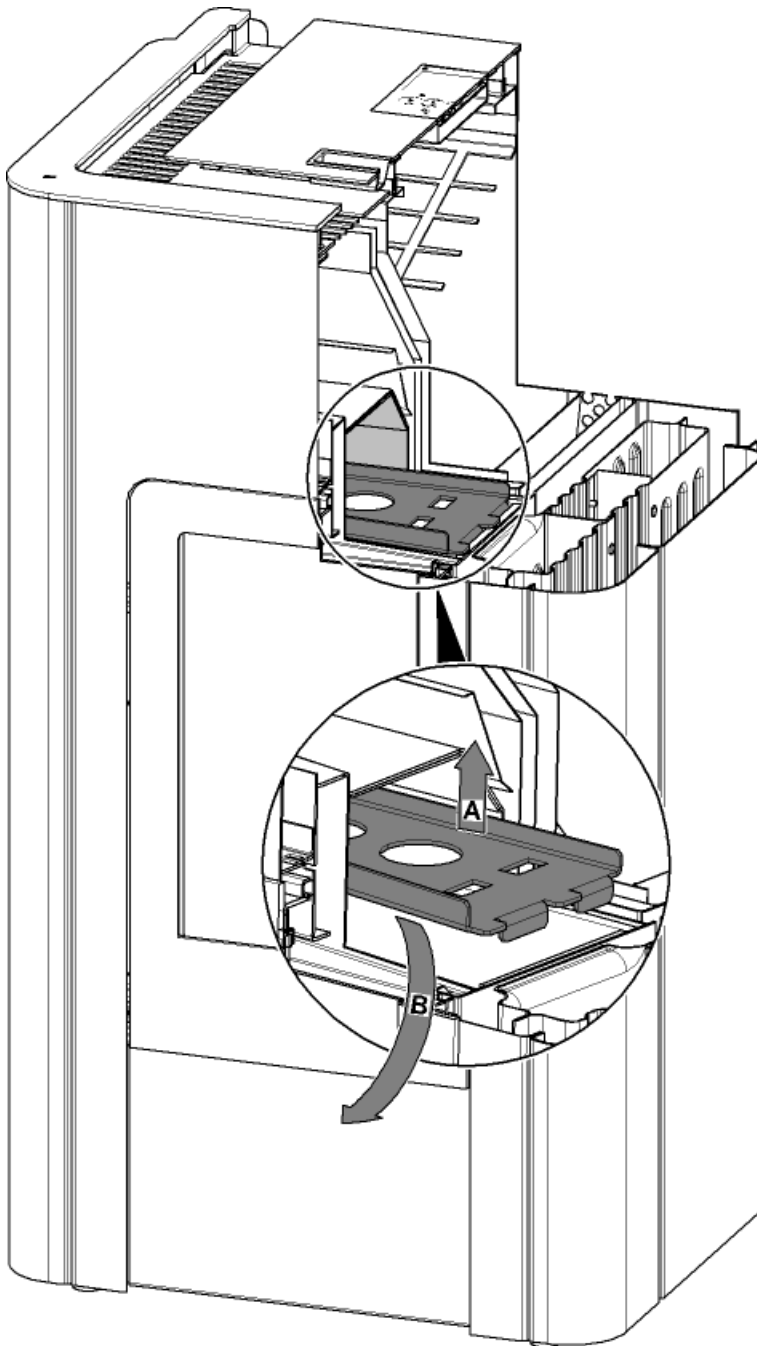


Figure 2: Removing the flue baffle

- Carry out the cleaning as per the Fig. 3a+3b.

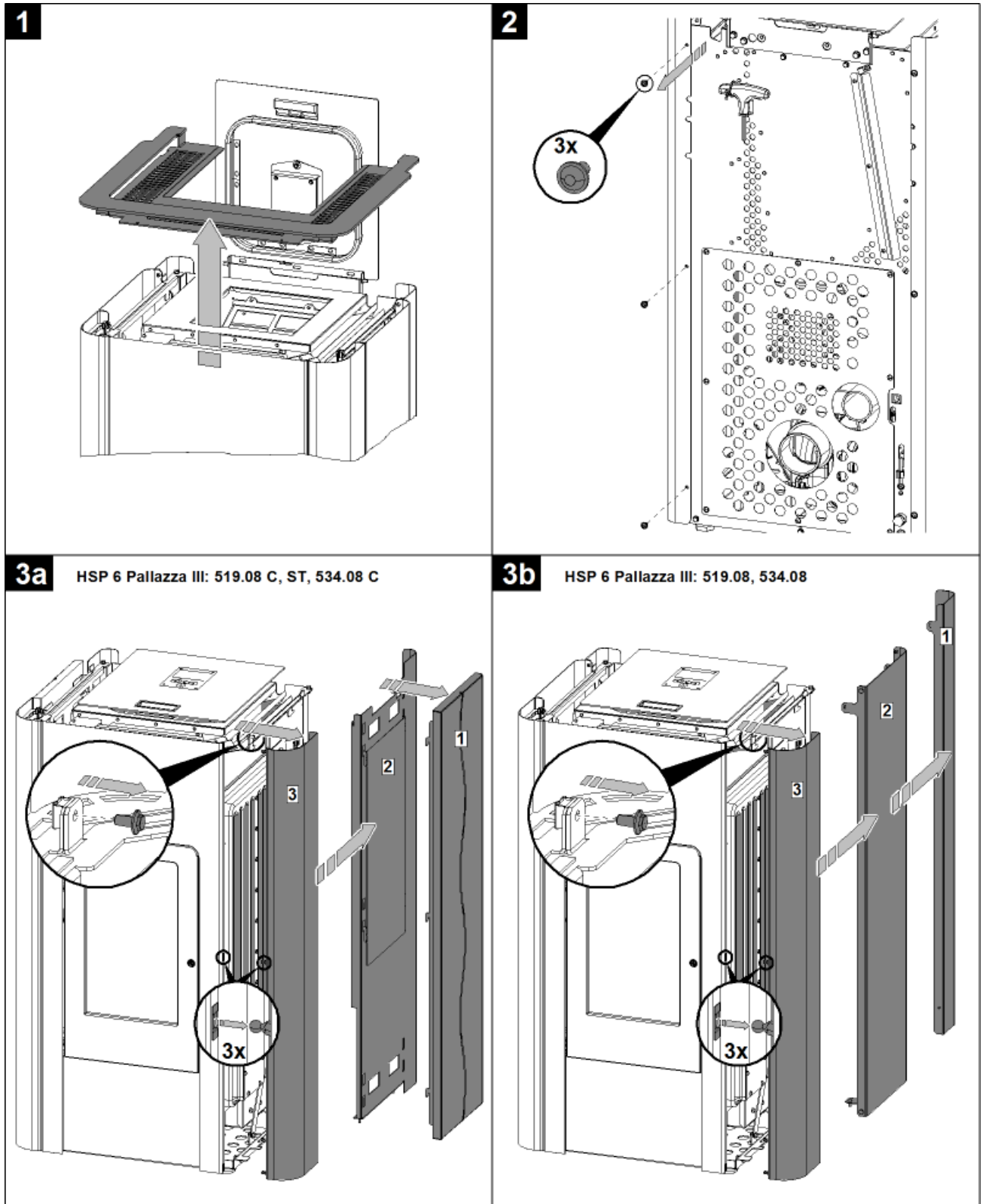


Figure 3a: Removing the side wall

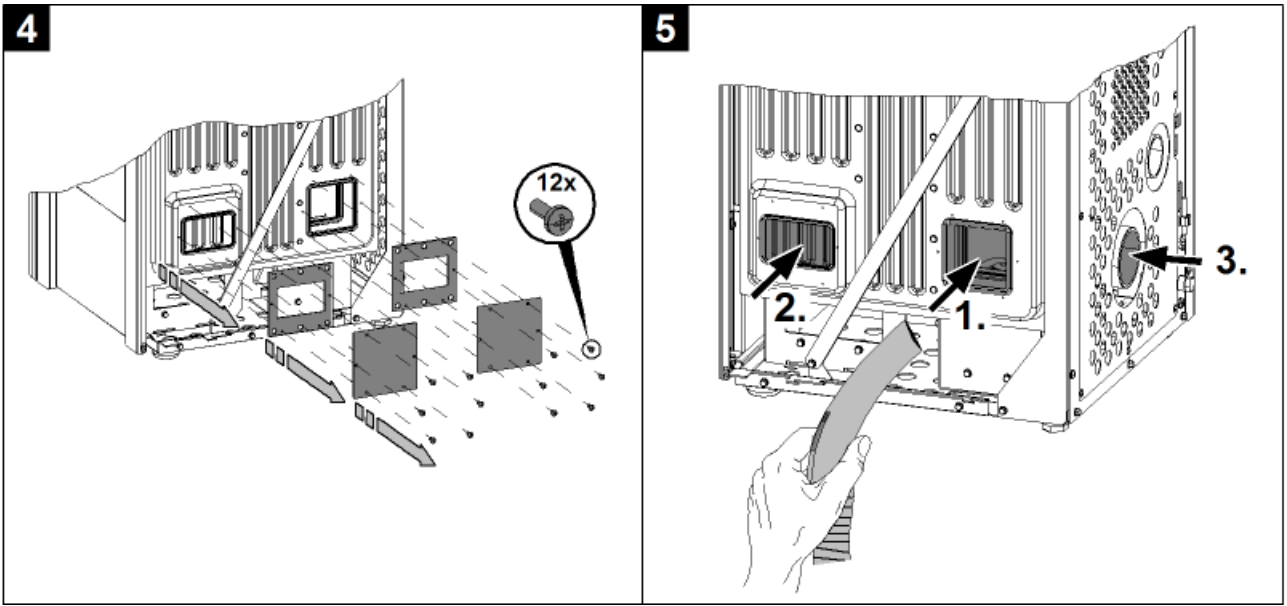


Figure 3b

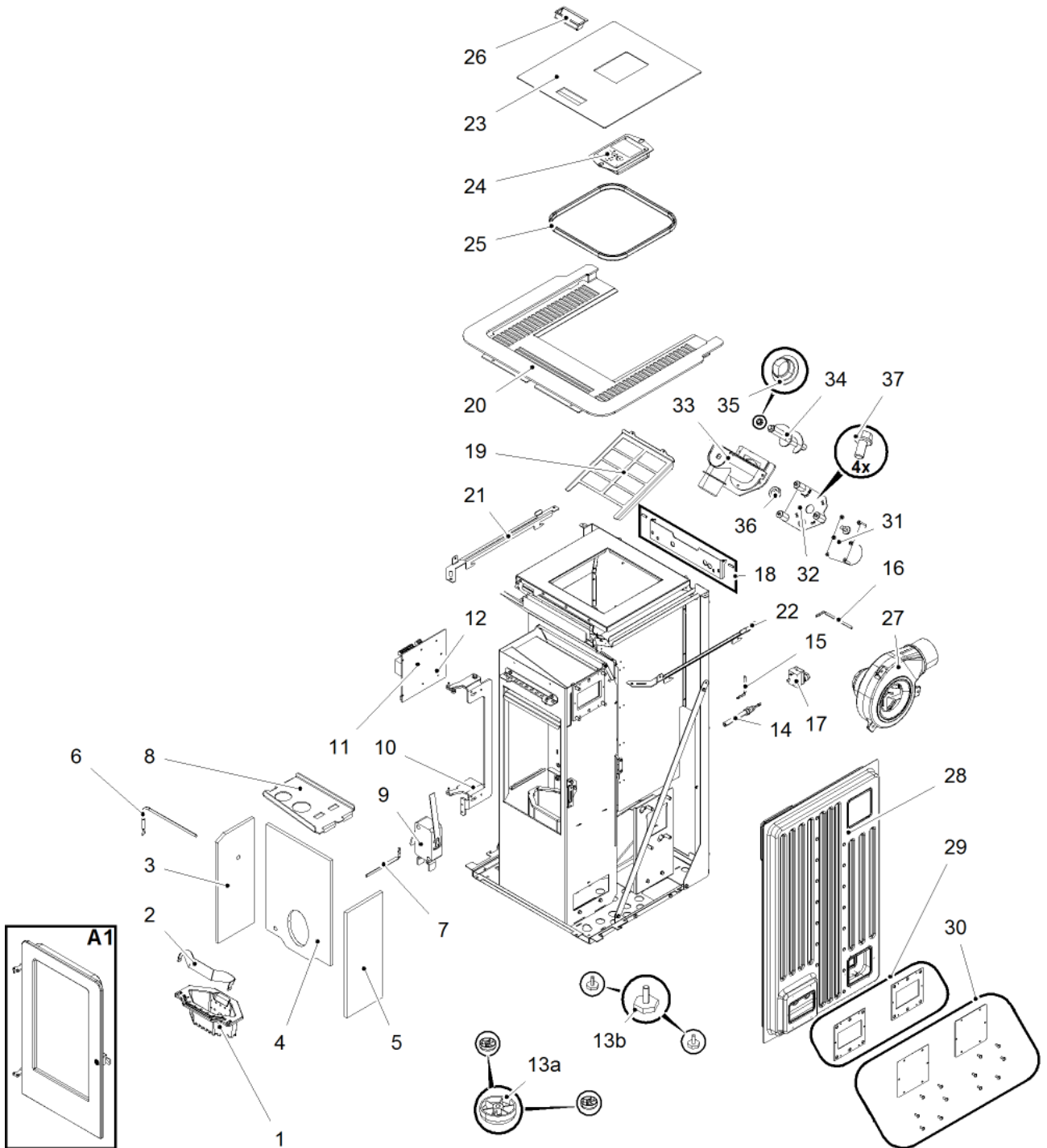


CAUTION

After completion of the cleaning make sure that when putting back the covers, the seals are seated in the right positions. It is essential to replace defective seals.

5. Replacement parts list

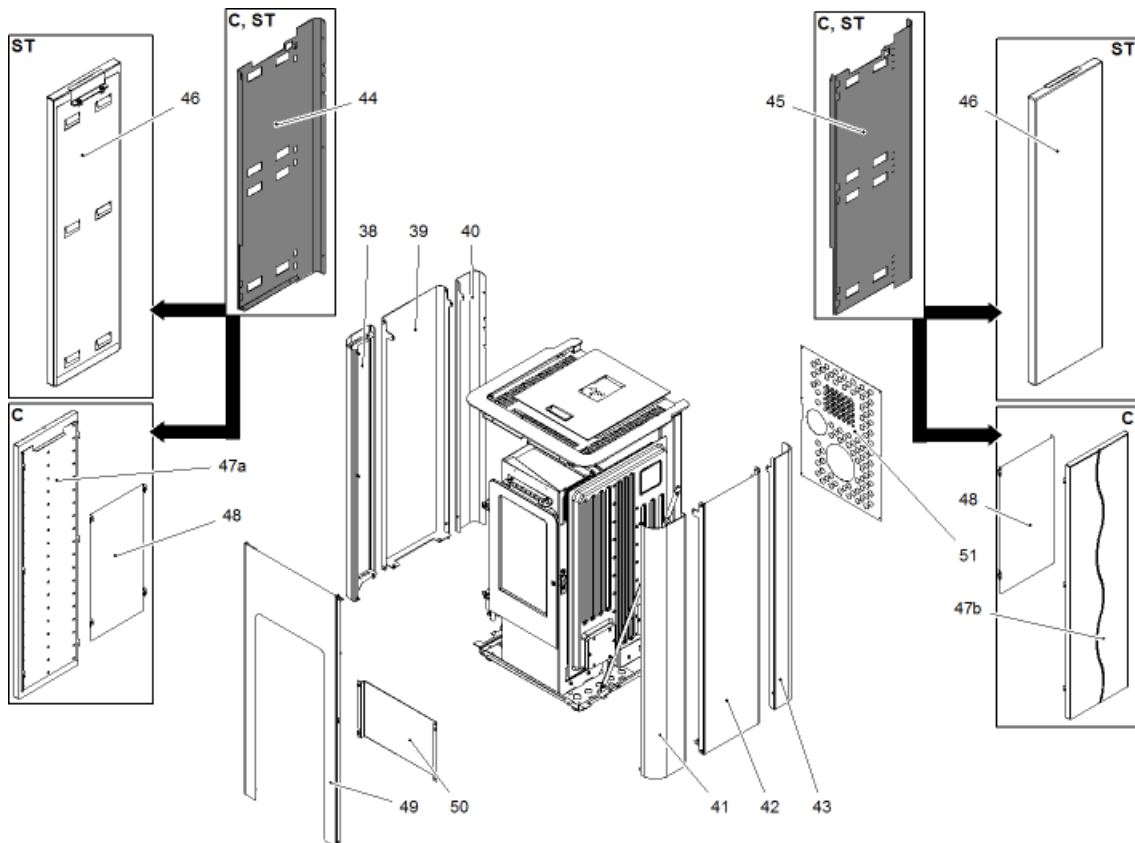
5.1. Replacement parts list HSP 6 Pallazza III 519.08, 534.08 (without trim parts)



Pos.	Description	Piece	No. PR
Replacement parts list HSP 6 Pallazza III 519.08/534.08 (without trim parts)			
A1	Complete combustion chamber door/black	1 piece	0551908015300
A1	Complete combustion chamber door/antacite	1 piece	0551908005300
1	Burner cast	1 piece	0551908005706
2	Protection grate	1 piece	0551908006709
3	Combustion chamber cladding left	1 piece	0551908005040
4	Combustion chamber cladding back	1 piece	0551908005041
5	Combustion chamber cladding right	1 piece	0551908005039
6	Flame temperature sensor	1 piece	0561008005541
7	Bottom temperature sensor	1 piece	0561008005543
8	Draught baffle plate	1 piece	0551908005701
9	Door contact switch	1 piece	0089500040005
10	Door hinge (complete)	1 piece	0551908005410
11	Complete control unit	1 piece	0541908005569
12	Backup battery CR 2032	1 piece	-
13a	Stand — front	2 piece	0089501090005
13b	Stand — back	2 piece	0551908505005
14	Ignition	1 piece	0541908005202
15	Room temperature sensor	1 piece	0089500390005
16	Flue gas thermosensor	1 piece	0561008005540
17	STB	1 piece	0089500080005
18	Cover hinge pins DIN 427 M5x18	1 piece	0551908005015
19	Protective grille	1 piece	0551908005931
20	Closure frame 519.08, 534.08)	1 piece	0551908005160
20	Closure frame 519.08 C, ST, 534.08 C)	1 piece	0551908006160
21	Framework left	1 piece	0551908025051
22	Framework right	1 piece	0551908025050
23	Tank cover	1 piece	0553408017190
24	Operator console	1 piece	0571207005510
25	Seal, tank cover (1000 mm)	1 piece	0561008006197
26	Grip	1 piece	0089500940005
27	Induced draught fan	1 piece	0561008005807
28	Heat exchanger	1 piece	0561008007072
29	Seal - set	2 piece	0561008006041
30	Tank cover + screw DIN 7981 ST 4,8x13 - set	2+12 piece	0561008016043
31	Screw conveyor motor	1 piece	0089500000006

32	Motor plate - set	1 piece	0551908007080
33	Conveyor	1 piece	0571207015060
34	Screw conveyor	1 piece	0571207005030
35	Lower screw conveyor bearing	1 piece	0571207005026
36	Collet	1 piece	0089000340005
37	Screw UN5950 M5x10	4 piece	-

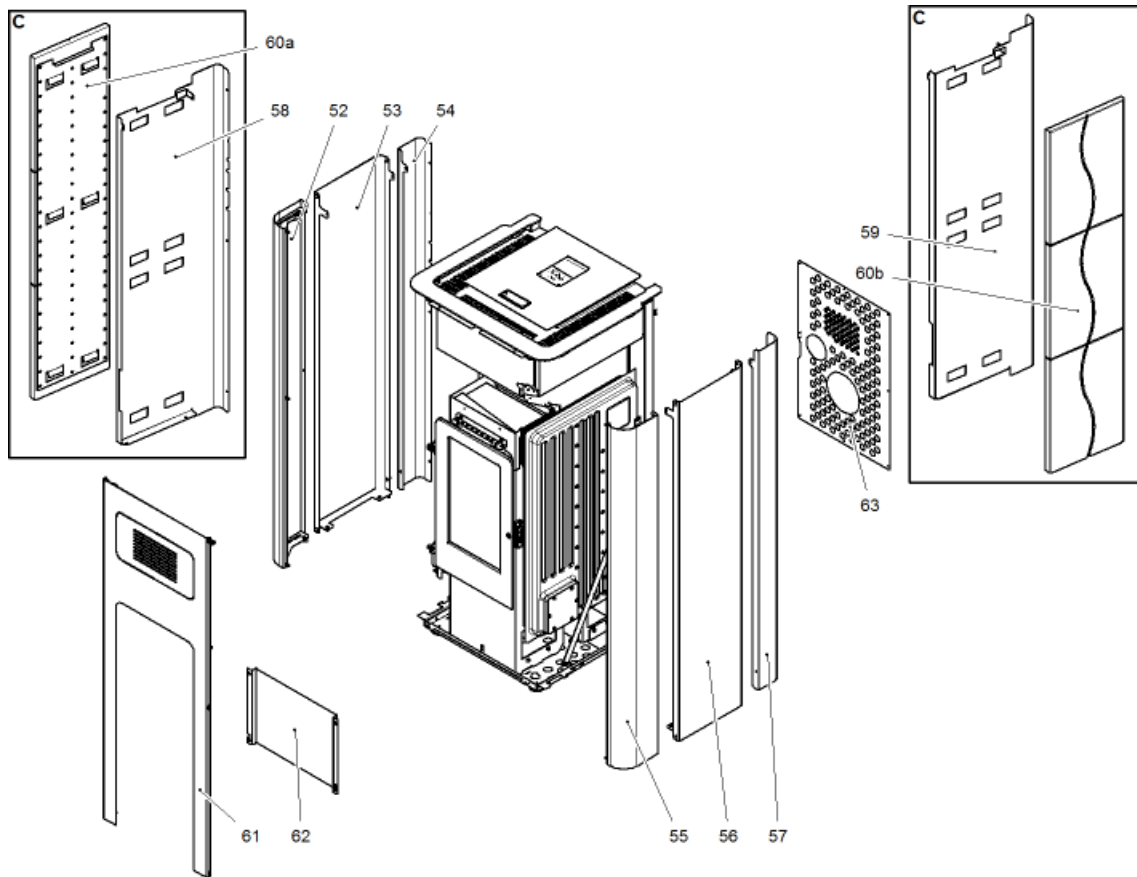
5.2. Replacement parts list HSP 6 Pallazza III 519.08



Pos.	Description	Piece	No. PR
Replacement parts list HSP 6 Pallazza III 519.08			
38	Side wall front left white	1 piece	0551908226310
38	Side wall front left beige	1 piece	0551908126310
38	Side wall front left antacite	1 piece	0551908026310
39	Side wall middle left white	1 piece	0551908216410
39	Side wall middle left beige	1 piece	0551908116410
39	Side wall middle left black	1 piece	0551908016400
40	Side wall rear left white	1 piece	0551908215511
40	Side wall rear left beige	1 piece	0551908016511
40	Side wall rear left antracite	1 piece	0551908015511

41	Side wall front right white	1 piece	0551908226300
41	Side wall front right beige	1 piece	0551908126300
41	Side wall front right antracite	1 piece	0551908026300
42	Side wall middle right white	1 piece	0551908216400
42	Side wall middle right beige	1 piece	0551908116400
42	Side wall middle right black	1 piece	0551908016410
43	Side wall rear right white	1 piece	0551908215501
43	Side wall rear right beige	1 piece	0551908015501
43	Side wall rear right antracite	1 piece	0551908015510
44	Side wall rear left	1 piece	0551908025510
45	Side wall rear right	1 piece	0551908025500
46	Side part ST soapstone	1 piece	0551708036185
46	Side part ST sandstone	1 piece	0551708136185
47a	Side part C ceramic white left	1 piece	0551708126186
47a	Side part C ceramic red right	1 piece	0551708226186
47b	Side part C ceramic white left	1 piece	0551708126185
47b	Side part C ceramic red right	1 piece	0551708226185
48	Cover	1 piece	0551708026195
49	Front plate/black	1 piece	0551908015201
50	Blanking panel bottom/black	1 piece	0551708016205
51	Back wall	1 piece	0551908506118

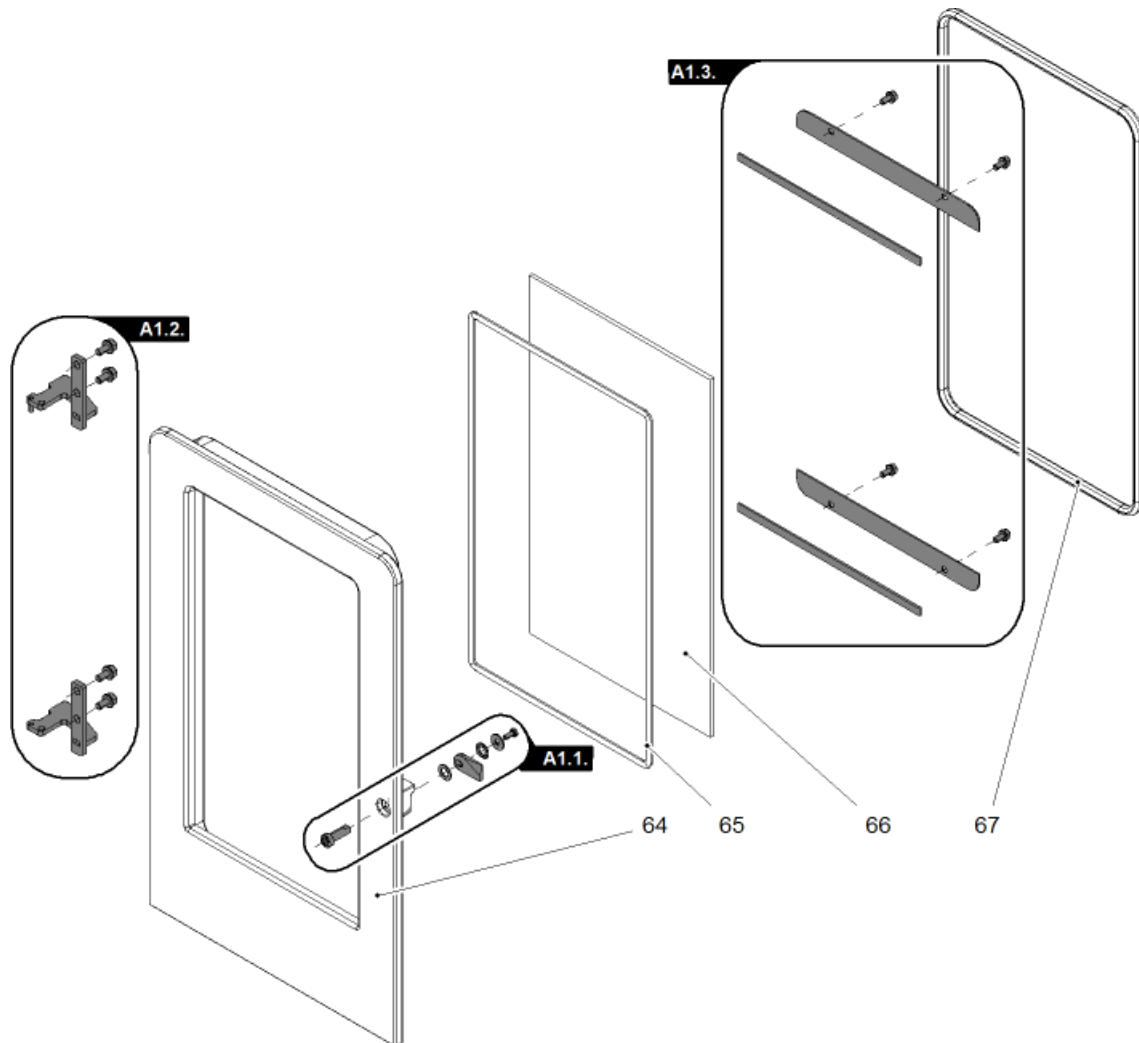
5.3. Replacement parts list HSP 6 Pallazza III 534.08



Pos.	Description	Piece	No. PR
Replacement parts list HSP 6 Pallazza III 534.08			
52	Side wall front left white	1 piece	0553408226310
52	Side wall front left beige	1 piece	0553408126310
52	Side wall front left antacite	1 piece	0553408026310
53	Side wall middle left white	1 piece	0553408216410
53	Side wall middle left beige	1 piece	0553408116410
53	Side wall middle left black	1 piece	0553408016410
54	Side wall rear left white	1 piece	0553408216511
54	Side wall rear left beige	1 piece	0553408016511
54	Side wall rear left antracite	1 piece	0553408015511
55	Side wall front right white	1 piece	0553408226300
55	Side wall front right beige	1 piece	0553408126300
55	Side wall front right antracite	1 piece	0553408026300
56	Side wall middle right white	1 piece	0553408216400
56	Side wall middle right beige	1 piece	0553408116400
56	Side wall middle right black	1 piece	0553408016400
57	Side wall rear right white	1 piece	0553408216501

57	Side wall rear right beige	1 piece	0553408016501
57	Side wall rear right antracite	1 piece	0553408015501
58	Side wall rear left	1 piece	0553408025510
59	Side wall rear right	1 piece	0553408025500
60a	Side part C ceramic white left	1 piece	0553208126186
60a	Side part C ceramic red right	1 piece	0553208226186
60b	Side part C ceramic white left	1 piece	0553208126185
60b	Side part C ceramic red right	1 piece	0553208226185
61	Front plate/black	1 piece	0553408005201
62	Blanking panel bottom/antacite	1 piece	0553208006205
63	Back wall	1 piece	0553908006118

5.4. Detail A1

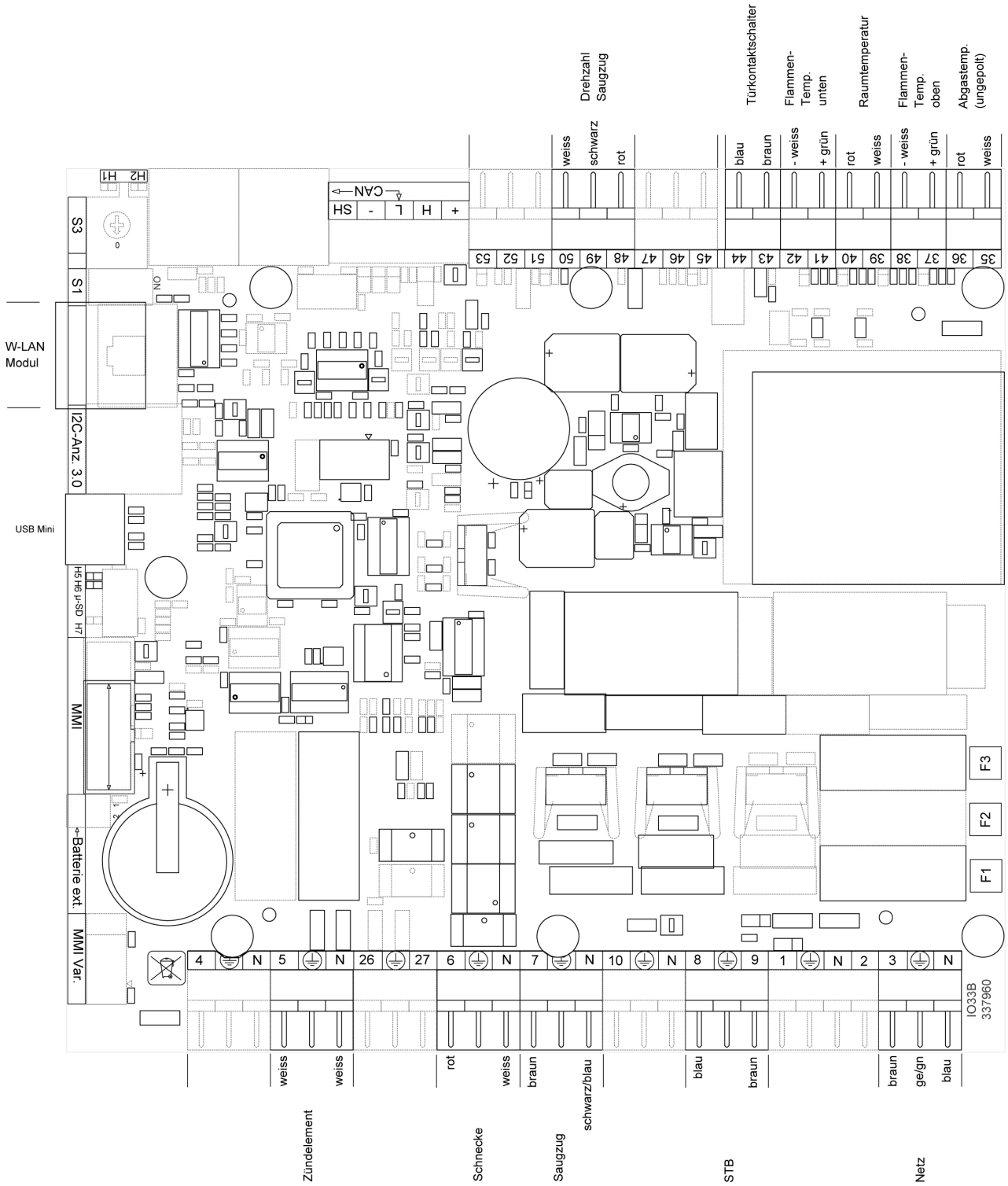


Pos.	Description	Piece	No. PR
Detail A1			
A1.1.	Screwing door	1 piece	0551908005001
A1.2.	Door hinge - Set	1 piece	0551908005002
A1.3.	Glass holder - Set	1 piece	0551908005003
64	Combustion chamber door/black	1 piece	0551908007201
64	Combustion chamber door/antacite	1 piece	0551908006201
65	Seal glass 10x4 mm (900 mm)	1 piece	0040210040005
66	Door glass (383x224x4)	1 piece	0551908005305
67	Seal door 11 mm (1306 mm)	1 piece	0040300110006

6. Circuit diagram

Circuit diagram IO 33.3

Circuit diagram



GB

Description Circuit diagram:

No.:	Description Cable harness
3	Mains plug / mains filter
5	Electric ignition
6	Screw conveyor motor
7	Induced draught
8/9	OC
35/36	Flue gas temperature sensor
37/38	Flame temperature sensor
39/40	Room temperature sensor
41/42	Bottom flame temperature sensor
43/44	Door contact switch
48-50	Flue gas fan rotation speed
F1	Fuse T 3,15A ignition, induced draught fan, screw conveyor motor
F3	Fuse T 0,315A operator console