



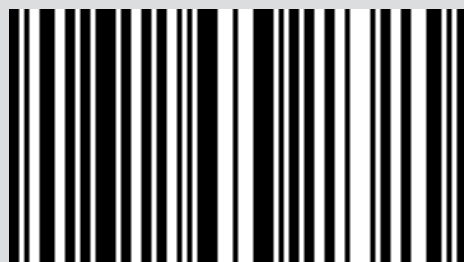
SEALED PELLET STOVE

# CUTE AIR 8 M1 THEMA AIR 8 M1

**PART 1 - REGULATIONS AND ASSEMBLY**

Instructions in English

# MCZ



8901927900

## TABLE OF CONTENTS

<b>TABLE OF CONTENTS</b> .....	<b>II</b>
<b>INTRODUCTION</b> .....	<b>1</b>
<b>1-WARNINGS AND WARRANTY CONDITIONS</b> .....	<b>2</b>
<b>2-INSTALLATION</b> .....	<b>8</b>
<b>3-DRAWINGS AND TECHNICAL FEATURES</b> .....	<b>17</b>
<b>4-UNPACKING</b> .....	<b>20</b>
<b>5- SMOKE OUTLET</b> .....	<b>23</b>
<b>6-INSTALLATION AND ASSEMBLY</b> .....	<b>27</b>
<b>7-DOOR OPENING</b> .....	<b>30</b>
<b>8-USB SOCKET</b> .....	<b>31</b>
<b>9-ELECTRICAL CONNECTION</b> .....	<b>32</b>
<b>10-LOADING THE PELLETS</b> .....	<b>33</b>

## INTRODUCTION

Dear Customer,

Our products are designed and manufactured in compliance with European reference standards for construction products (EN13240 for wood-burning stoves, EN14785 for pellet-burning appliances, EN13229 for fireplaces/wood-burning inserts and EN 12815 for wood-burning range cookers), with high quality materials and extensive experience in transformation processes. The products also meet the essential requirements of Directive 2006/95/EC (Low Voltage) and Directive 2004/108/EC (Electromagnetic Compatibility).

To get the best performance, we suggest you read the instructions in this manual carefully.

This installation guide is an integral part of the product: ensure that the manual is always supplied with the appliance, even if it changes owner. If the manual is lost, you can request another copy from the local Technical Dept. or download it directly from the company's website.

All local regulations, including those referring to national and European standards, must be observed when installing the appliance.

In Italy, for the installation of systems with a biomass below 35KW, refer to the Ministerial Decree 37/08 and the qualified installation technician with the suitable requirements must issue a certificate of compliance for the system installed. (By system we intend Stove+Flue+Air inlet).

## REVISIONS TO THE PUBLICATION

The content of this manual is strictly technical and the property of MCZ Group Spa.





No part of this manual may be translated into other languages, adapted and/or reproduced, even in part, in other mechanical and/or electronic form or media, for photocopies, recordings or other, without the prior written authorisation of MCZ Group Spa.

The company reserves the right to make changes to the product at any time without prior notice. The owner company reserves its rights according to law.

## CARE OF THE MANUAL AND HOW TO CONSULT IT

- Take care of this manual and store it in an easily and quickly accessible place.
- Should this manual be lost or destroyed, request a copy from your retailer or directly from the authorised Technical assistance department. It can also be downloaded from the company's website.
- **"Bold text"** requires special attention.
- *"Text in italics"* is used to draw attention to other paragraphs in the manual or for any additional clarifications.
- **"Note"** provides the reader with additional information.

## SYMBOLS USED IN THE MANUAL

	<b>ATTENTION:</b> carefully read the relative message as <b>failure to comply with the information provided may result in serious damage to the product and danger to the persons who use it.</b>
	<b>INFORMATION:</b> failure to comply with these provisions will compromise use of the product.
	<b>OPERATING SEQUENCES:</b> sequence of buttons to be pressed to access the menus or perform adjustments.
	<b>MANUAL</b> carefully read this manual or the relative instructions.



### SAFETY PRECAUTIONS

- **Installation, electrical connection, operating check and maintenance must only be carried out by authorised and qualified personnel.**
- **Install the product in accordance with all local and national legislation and regulations in force in the region or state.**
- Only use the fuel recommended by the manufacturer. The product must not be used as an incinerator.
- It is strictly forbidden to use alcohol, petrol, liquid fuel for lanterns, diesel, bio-ethanol, fluids for lighting charcoal or similar liquids to light/rekindle the flame in these devices. Keep these flammable liquids well away from the appliance when in use.
- Do not put any fuel other than wood pellets in the hopper.
- The instructions provided in this manual must always be complied with to ensure the product and any electronic appliances connected to it are used correctly and to prevent accidents.
- **This appliance can be used by children aged 8 years and above and persons with reduced physical, sensory or mental capabilities or lack of experience and knowledge provided they are supervised or have been given instructions regarding use of the appliance in a safe way and understand the hazards involved. Children must not play with the appliance. Cleaning and maintenance to be performed by the user must not be carried out by children without supervision.**
- The user, or whoever is operating the product, must read and fully understand the contents of this installation guide before performing any operation. Errors or incorrect settings may cause hazardous conditions and/or incorrect operation.
- Do not climb on or lean on the product.

## 1-WARNINGS AND WARRANTY CONDITIONS

- Do not dry laundry on the product. Any drying racks or the like must be kept at a safe distance from the product. **Fire hazard.**
- *All liability for improper use of the product is entirely borne by the user and relieves the manufacturer of any civil and criminal liability.*
- Any type of tampering or unauthorised replacement with non-original spare parts may be hazardous for the operator's safety and relieves the company of any civil and criminal liability.
- Many surfaces of the product get very hot (door, handle, glass, smoke outlet pipes, etc.). **Avoid coming into contact with these parts without adequate protective clothing or suitable equipment, such as gloves with thermal protection** or "cold handle" operating systems.
- **It is forbidden to operate the product with the door open or the glass broken.**
- **The doors/covers on the appliance must remain closed when it is not being used.**
- The product must be powered by an electrical system that is equipped with an effective earthing device.
- Switch the product off in the event of a fault or malfunction.
- Accumulated unburnt pellets in the burner after each "failed ignition" must be removed before lighting again. Check that the burner is clean and positioned properly before lighting again.
- Do not wash the product with water. Water may penetrate inside the unit and damage the electrical insulation and cause electric shocks.
- Do not stand for a long time in front of the product in operation. Do not overheat the room you are in and where the product is installed. This may harm one's physical conditions and cause health problems.
- Install the product in rooms that do not pose a fire hazard and are equipped with power and air supplies and smoke outlets.
- In the event of fire in the chimney, turn off the device, disconnect it from the mains and do not open the door whatsoever. Then contact the competent authorities.
- The product and the cladding must be stored in a dry place and must not be

## 1-WARNINGS AND WARRANTY CONDITIONS

exposed to weathering.

- It is recommended not to remove the feet that support the product in order to ensure adequate insulation, especially if the flooring is made of flammable materials.
- In the event of a malfunction of the ignition system, do not force it on by using flammable materials.
- Special maintenance must only be performed by authorised and qualified personnel.
- Assess the static conditions of the surface on which the weight of the product will rest and provide suitable insulation if it is made of flammable material (e.g. wood, fitted carpet or plastic).
- Live electrical parts: only power the product once it has been fully assembled.
- Disconnect the product from the 230V power supply before performing any maintenance operations.
- Improper use or poor maintenance of the product can cause hazardous situations to arise.
- **It is forbidden to manually load the fuel into the brazier. Failure to follow this warning can lead to hazardous situations.**
- **Before the product is restarted, always remove any unburned pellets building up in the brazier due to failed ignition, the emptying of the hopper or any situation that may cause this condition.**

# 1-WARNINGS AND WARRANTY CONDITIONS

## INFORMATION:

Please contact the retailer or qualified personnel authorised by the company to resolve a problem.

- Only use the fuel specified by the manufacturer.
- When the product is switched on for the first time, it is normal for it to emit smoke due to the paint heating up for the first time. Therefore make sure the room it is installed in is well-ventilated.
- Check and clean the smoke outlet pipes regularly (chimney fitting).
- The product is not a cooking appliance.
- Always keep the cover of the fuel hopper closed.
- Store this installation and user manual with care as it must accompany the product for the duration of its useful life. If the product is sold or transferred to another user, always ensure the manual is also handed over.

## INTENDED USE

The product only works with wood pellets and must be installed indoors.

## PRODUCT PERFORMANCE CHECKS.

All our products undergo ITT TESTS carried out by a notified third party laboratory (system 3) and in accordance with Regulation (EU) number 305/2011 "Construction products", according to standard EN 14785:2006 for household appliances and "Machinery Directive" EN 303-5 for boilers.

In the case of tests for any market surveillance or inspections by third parties, please consider the following warnings:

- To reach the declared performance levels, the product must perform an operating cycle of at least 15-20 hours beforehand.
- Set the average draught of the combustion fumes as specified in the "technical product features" table
- The type of pellets used must comply with the current EN ISO 17225-2 class A1 regulation. Fir pellets are usually used for certification.
- The amount of thermal energy can vary according to the length and calorific value of the fuel. This may require some adjustments (accessed from the user menu) to comply with the hourly consumption specified in the "technical product features" table. Using class A1 pellets guarantees a calorific value that is likely to be close to that used in the product certification; the size of the pellet grains can significantly affect hourly fuel loading and consequently performance; it is therefore suggested to use pellets with a 6 mm diameter and an average length of around 24 mm (avoid pellets that are too long or excessively crushed).
- With wood-burning appliances, the fuel must comply with the current EN ISO 17225-5 class A1 regulation. Check the correct moisture of the fuel, as it must be within the range of 12 - 20% (it is best if the moisture is close to 12%, as is normally used in certification). As the fuel moisture increases, different combustion air settings are required, which are implemented from the combustion air register, thereby modifying the mixture of primary and secondary air
- It is important to check the operation of devices that can affect performance (for example air fans or electric safety devices) in case of damage due to handling.
- Nominal performance has been obtained by setting the maximum flame power and room ventilation in **manual** mode. Performance at reduced power was achieved at minimum flame and ventilation power (P1 and V1) in manual mode. The other conditions (COMFORT SETTING) correspond to intermediate ventilation and power.
- If a "verification" mode is provided in the menu, set this function during the readings to ensure that no temperature modulation occurs due to an incorrect setting of the operating parameters.
- Lastly, strictly comply with the sampling points specified in the regulations in terms of emissions as well as temperature

# 1-WARNINGS AND WARRANTY CONDITIONS

## WARRANTY CONDITIONS

The company guarantees the product, **with the exception of parts subject to normal wear** (listed on the following page), for a period of **2 (two) years** from the date of purchase attested by:

- a document that serves as proof of purchase (invoice and/or receipt) that shows the name of the vendor and the date that the purchase was made on;
- forwarding of the completed warranty certificate within 8 days of purchase.

Furthermore, in order for the warranty to be valid, the device must be installed and calibrated by qualified personnel, and where necessary, the user must be issued with a declaration of conformity and correct product operation.

We recommend testing the product before completing the relative finishes (cladding, painting walls, etc.).

Installations that do not meet the current standards, improper use and lack of maintenance as required by the manufacturer, void the product warranty.

The warranty is valid on the condition that the instructions and warnings contained in the user and maintenance manual are observed, and therefore the product is used correctly.

Replacement of the entire system or repair of one of its components does not extend the warranty period, and the original expiry date remains unchanged.

The warranty covers the replacement or free repair **of parts recognised as being faulty at source due to manufacturing defects**. In the event of a fault, to benefit from the warranty, the customer must keep the warranty certificate and provide it along with the document given at the time of purchase to the Technical Service Centre.

## EXCLUSIONS

The warranty does not cover malfunctions and/or damage to the appliance that arise due to the following causes:

- Damage caused during transport and/or handling
- all parts that develop faults due to negligence or improper use, incorrect maintenance, installation that does not comply with the manufacturer's instructions (always refer to the installation guide provided with the appliance)
- incorrect sizing with regard to the use or faults in the installation or failure to implement the necessary measures to ensure proper execution
- improper overheating of the equipment, i.e. the use of fuels not conforming to the types and quantities indicated in the provided instructions
- further damage caused by incorrect user operations in an attempt to fix the initial fault
- worsening of the damage caused by the user continuing to operate the appliance even after the fault has been detected
- in the presence of a boiler, any corrosion, deposits or breakage caused by water flow, condensation, hardness or acidity of the water, improperly performed descaling treatments, water outage, mud or limescale deposits
- inefficiency of chimneys, flues or parts of the system affecting the appliance
- damage caused by tampering with the appliance, atmospheric agents, natural disasters, vandalism, electrical discharges, fires, faults in the electric and/or hydraulic system.
- Failure to have yearly stove maintenance performed by an authorised technician or qualified personnel shall render the warranty void.

The following are also excluded from this warranty:

- parts subject to normal wear such as gaskets, glass, cladding and cast iron grilles, painted, chrome-plated or gilded parts, handles and electric cables, bulbs, indicator lights, knobs, all parts which can be removed from the firebox.
- Variations in colour of the painted or ceramic/serpentine parts and crazed ceramics as they are natural characteristics of the material and product use.
- masonry work
- system parts (if included) not supplied by the manufacturer

Any technical operations on the product to remove the aforementioned defects and consequent damage must be agreed upon with the Technical Service Centre, who reserves the right to accept the relative job or not. However, said operations shall not be carried out under warranty but as technical support to be granted as part of any potentially and specifically agreed conditions and in accordance with the fees in force for the work to be carried out.

The user will also be charged for any costs incurred to remedy the incorrect technical operations, tampering or damage to the appliance, not attributable to original faults.

Without prejudice to the legal or regulatory limits, the warranty does not cover the containment of atmospheric and acoustic pollution.



## 1-WARNINGS AND WARRANTY CONDITIONS

***The company declines all liability for any damage which may be caused, directly or indirectly, to persons, animals or objects as a consequence of non compliance with any provision specified in the manual, especially warnings regarding installation, use and maintenance of the appliance.***

### SPARE PARTS

In the event of a malfunction, consult the retailer who shall forward the call to the Technical Assistance Department.

Only use original spare parts. The retailer or service centre can provide all necessary information regarding spare parts.

We do not recommend waiting for the parts to get worn out before having them replaced. It is crucial to perform regular maintenance checks.



***The company declines all liability if the product and any other accessory is used improperly or modified without authorisation.***

***All parts must be replaced with original spare parts.***

### Information for management of waste electrical and electronic equipment containing batteries and accumulators



This symbol appears on the product, on the batteries, on the accumulators or on their packaging or on their documentation; it indicates that the product and the batteries or the accumulators included must not be collected, recycled or disposed of with household waste at the end of their service life.

Improper management of waste electrical and electronic equipment, batteries or accumulators can cause the hazardous substances contained within to leak out. In order to avoid harming the environment or health, the user is required to separate this equipment, and/or the batteries or accumulators included, from other types of waste and deliver them to the local collection centre. The distributor can be asked to collect the waste electrical and electronic equipment under the conditions and according to the procedures laid down by Legislative Decree 49/2014.

Separate collection and correct treatment of waste electrical and electronic equipment, batteries and accumulators contribute to conserving natural resources, respect for the environment and ensure the protection of health.

For more information on collection centres for waste electrical and electronic equipment, batteries and accumulators, contact the competent public Authorities for issue of the authorisations.

### WHY SEALED

Products built with a perfectly sealed structure do not consume the room's oxygen but draw all the air from the outer environment (if suitably ducted) and may therefore be installed in all houses that require a high degree of insulation such as "passive" or "high energy efficiency" houses. Thanks to this technology there is no risk of smoke emissions in the room, hence no air inlets and relevant aeration grilles are required in the installation premises.

Consequently, there will be no more draughts of cold air in the room, which would otherwise make it less comfortable and reduce the overall efficiency of the system. The sealed stove may even be installed in the presence of forced ventilation or in premises that might have negative pressure with respect to the outside.

## 2-INSTALLATION



**The instructions in this chapter refer explicitly to the Italian installation regulation UNI 10683. In any case, always observe the regulations in force in the country of installation.**

### PELLETS

Wood pellets are manufactured by extruding sawdust which is produced during the processing of natural dried wood (without paint). The compactness of the material is guaranteed by the lignin contained in the wood itself and allows the pellets to be produced without glue or binders.

The market offers different types of pellets with characteristics that vary according to the wood mixtures. The most common diameter on the market is 6 mm (although 8 mm diameter is also available) with a length, on average, between 3 and 40 mm. A good quality pellet has a density of between 600 and 750 or more kg/cubic metres and a moisture content that accounts for 5 to 8% of its weight.

Pellets have technical advantages besides being an ecological fuel, as the wood residue is used completely, thereby achieving cleaner combustion than that of fossil fuels.

While good-quality wood has a calorific value of 4.4 kW/kg (15% moisture, after about 18 months of seasoning), that of pellets is around 4.9 kW/kg. To ensure good combustion, the pellets must be stored in a dry place and protected from dirt. Pellets are usually supplied in 15 kg bags, therefore, storing them is very convenient



15 Kg BAG OF PELLETS

Good quality pellets guarantee good combustion, thereby decreasing harmful emissions into the atmosphere.



***The poorer the quality of the fuel, the more often the internal parts of the brazier and combustion chamber need to be cleaned.***

The main quality certifications for pellets currently available on the European market guarantee that the fuel complies with class A1/A2 according to ISO 17225-2 (ex EN 14961). These certifications include, for example, **ENplus**, **DINplus**, **Ö-Norm M7135**, and specifically assure that the following characteristics are complied with:

- calorific value: 4.6 - 5.3 kWh/kg.
- Water content:  $\leq 10\%$  of the weight.
- Percentage of ash: max 1.2% of the weight (A1 less than 0.7%).
- Diameter:  $6\pm 1/8\pm 1$  mm.
- Length: 3-40 mm.
- Content: 100% untreated wood without the addition of binding agents (max 5% bark).
- Packaging: in sacks made from ecologically compatible or biologically decomposing material.



***The company strongly recommends using certified fuel for its products (ENplus, DINplus, Ö-Norm M7135). Poor quality pellets or others that do not comply with the characteristics specified previously may compromise the operation of your product and may therefore invalidate the warranty and product liability***

## 2-INSTALLATION

### FOREWORD

The installation position must be chosen according to the room, smoke extraction system and flue. Check with local authorities whether there are any restrictive regulations in force regarding the combustion air inlet, the smoke outlet system, the flue or the chimney pot. The manufacturer declines all responsibility in the event of installations that do not comply with the laws in force, incorrect room air exchange, electrical connection non-compliant with the standards and inappropriate use of the appliance. The installation must be carried out by a qualified technician, who must issue a declaration of conformity of the system to the purchaser and shall assume full responsibility for final installation and consequent good operation of the product.

In particular one must ensure that:

- there is a suitable combustion air inlet and smoke outlet in compliance with the type of product installed
- other stoves or devices installed do not cause negative pressure in the room where the product is installed (for sealed appliances only, a maximum of 15 Pa of negative pressure in the room is allowed)
- when the product is switched on there is no reflux of smoke in the room
- smoke extraction takes place in full safety (sizing, smoke seal, distances from flammable materials...).

**We especially recommend checking the data plates of the flue for the safety distances that must be observed in the presence of combustible materials and the type of insulating material to be used. These indications must be followed strictly to prevent serious harm to people and to the integrity of the home.** Installation of the appliance must ensure easy access to clean the appliance itself, the smoke outlet pipes and the flue. **It is forbidden to install the stove in rooms with a fire hazard. Installation in studio flats, bedrooms and bathrooms is only permitted with sealed or closed appliances equipped with suitable combustion air ducting directly outside. Always maintain adequate distance and protection in order to prevent the product from coming into contact with water.**

If there are several appliances installed, the external air inlet must be sized accordingly.

### MINIMUM DISTANCES

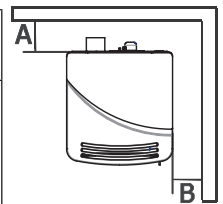
It is recommended to install the stove detached from any walls and/or furniture, with a minimum clearance to allow effective aeration of the appliance and a good distribution of heat in the room. Comply with the distances from flammable or heat-sensitive objects (sofas, furniture, wood panelling, etc.) as specified below. The frontal distance from flammable materials must be at least as specified in the product's technical data table.

If there are particularly delicate objects such as furniture, curtains or sofas, increase the stove distance accordingly.



***If the floor is made of wood, it is recommended to fit a floor protection sheet in compliance with the standards in force in the country of installation.***

	Non-flammable walls	Flammable walls
CUTE AIR 8 M1 THEMA AIR 8 M1	A = 3 cm B = 5 cm	A = 3 cm B = 5 cm



If the floor is made of combustible material, it is recommended to use a protection made of non-combustible material (steel, glass...) that also protects the front from any falling combusted material during cleaning operations.

The appliance must be installed on a floor with adequate load capacity.

If the existing construction does not meet this requirement, appropriate measures must be taken (for example a load distribution plate).

## 2-INSTALLATION

### FOREWORD

This Flue chapter has been drawn up with reference to the provisions of European Standards (EN13384 - EN1443 - EN1856 - EN1457). The chapter provides indications for installing an efficient and correct flue but is under no circumstances to substitute the regulations in force, which the qualified manufacturer must be in possession of. Check with local authorities whether there are any restrictive regulations in force regarding the combustion air inlet, the smoke outlet system, the flue or the chimneypot. The Company declines all liability relating to the poor functioning of the stove if this is due to the use of an insufficiently sized flue in violation of the standards in force.

### FLUE

The flue or chimney is of great importance for the proper operation of a solid fuel-burning heating appliance with forced draught. As modern heating appliances have high efficiency with cooler flue gases and consequently less draught, it is therefore crucial for the flue to be built to professional standard and always kept in perfect working order. A flue for a pellet/wood fired appliance must be at least category T400 (or greater if the appliance requires so) and resistant to soot fires. Smoke must be extracted through a single flue made of insulated steel (A) or an existing flue that complies with the intended use (B).

A simple air shaft made of cement must be suitably piped. In both solutions there must be an inspection cap (AT) and/or inspection access panel (AP) - FIG.1.

It is prohibited to connect more than one wood/pellet appliance (\*) or any other type of appliance (cowl vents ...) to the same flue.

(\*) unless there are national derogations (for instance in Germany), which under suitable conditions allow for the installation of several appliances in the same fireplace. In any case, strictly follow the product/installation requirements of the relative regulations/legislation in force in that country

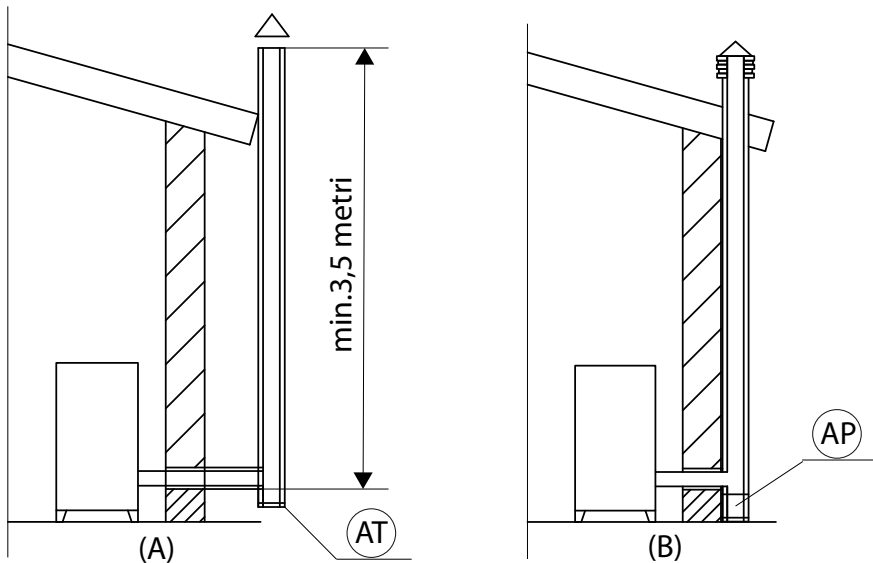


FIGURE 1 - FLUE

## 2-INSTALLATION

### TECHNICAL SPECIFICATIONS

Have the efficiency of the flue checked by an authorised technician.

The flue must be sealed against flue gases, in a vertical direction without narrowing, be made with materials impermeable to smoke, condensation, thermally insulated and suitable to resist normal mechanical stress over time (we recommend fireplaces made of A/316 or refractory material with insulated round section double chamber). It must be suitably insulated externally to avoid condensation and reduce the smoke cooling effect. It must be separated from combustible or easily flammable materials via an air gap or insulating materials: check the distance specified by the chimney manufacturer according to EN1443. The chimney opening must be in the same room as the appliance, or at most in the adjoining room, and have a soot and condensation collection chamber beneath the opening, and be accessible via a sealed metal door.

### FLAT ROOF

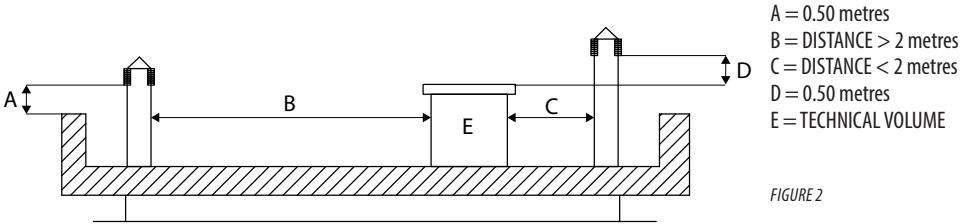


FIGURE 2

### ROOF AT 15°

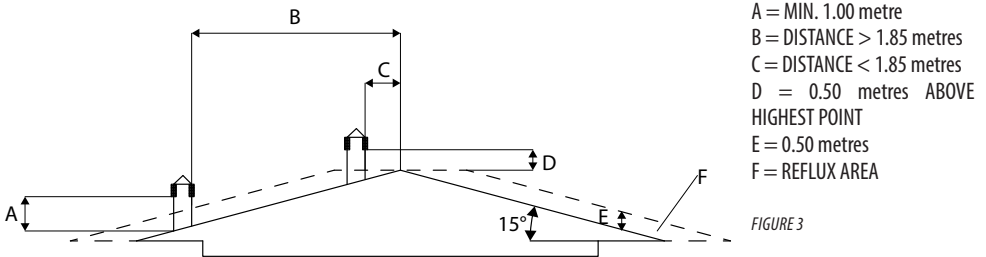


FIGURE 3

### ROOF AT 30°

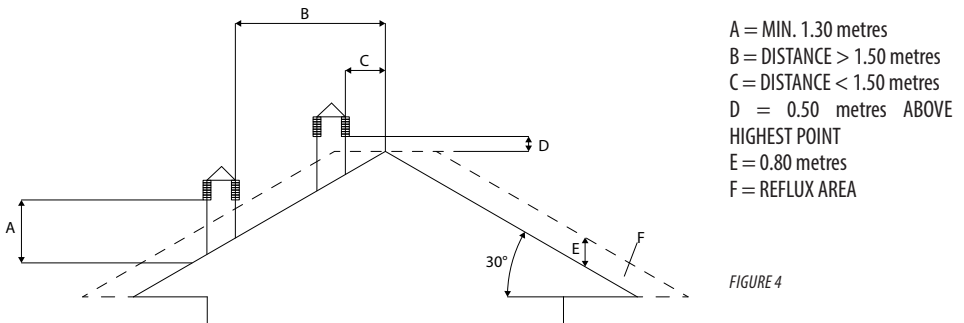


FIGURE 4

## 2-INSTALLATION

### ROOF AT 60°



FIGURE 5

- A = MIN. 2.60 metres
- B = DISTANCE > 1.20 metres
- C = DISTANCE < 1.20 metres
- D = 0.50 metres ABOVE HIGHEST POINT
- E = 2.10 metres
- F = REFLUX AREA

### ROOF AT 45°



FIGURE 6

- A = MIN. 2.00 metres
- B = DISTANCE > 1.30 metres
- C = DISTANCE < 1.30 metres
- D = 0.50 metres ABOVE HIGHEST POINT
- E = 1.50 metres
- F = REFLUX AREA

### SIZING

The negative pressure (draught) of a flue also depends on its height. Check the negative pressure with the values indicated in the technical specifications. The minimum height of the chimney is 3.5 metres.

The interior cross-section of the flue can be round (best solution), square or rectangular (the ratio between the internal sides must be  $\leq 1.5$ ) with the sides joined with a minimum radius of 20 mm. The dimension of the cross-section must be **minimum  $\varnothing 100\text{mm}$** .

The cross-sections/lengths of the chimneys shown in the technical data tables are indications for correct installation. Any alternative configurations must be correctly sized in accordance with the general method of calculation of UNI EN13384-1 or other proven efficiency methods.

Some examples of flues available on the market are provided below:

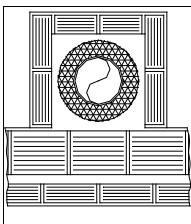
AISI 316 steel chimney with double chamber insulated with ceramic fibre or equivalent resistant up to 400°C.

Refractory chimney with double insulated chamber and external lightweight concrete cladding with cellular material such as clay.

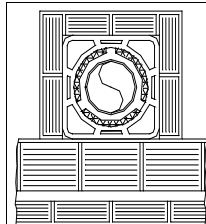
Traditional square-section clay chimney with insulating empty inserts.

Avoid products with an internal rectangular section where the larger side is 1.5 times the smaller side (e.g. 20x40 or 15x30).

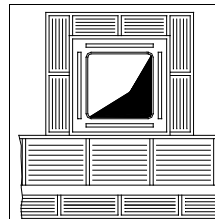
### EXCELLENT



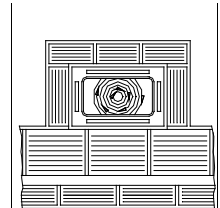
### GOOD



### POOR



### VERY POOR



## 2-INSTALLATION

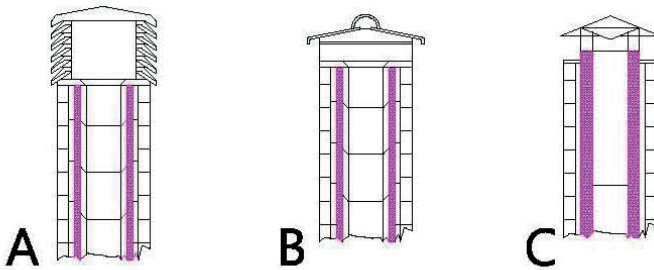
### MAINTENANCE

The flue must be kept clean, since the deposit of soot or unburnt oils reduces the cross-section, blocking the draught and thus compromising the efficient operation of the stove and, if large build-ups accumulate, can catch fire. The flue and chimneypot must be cleaned and checked by a qualified chimney sweep at least once a year. Once the inspection/maintenance has been performed, request a written report that the system is safe.

Failure to perform cleaning jeopardises the system's safety.

### CHIMNEYPOT

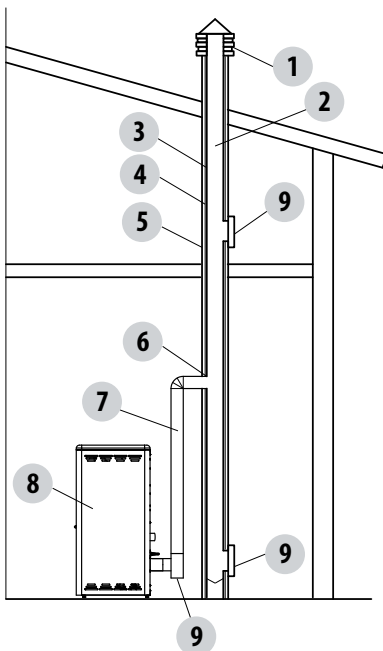
The chimneypot is a crucial element for correct operation of the heating appliance: we recommend a windproof chimneypot (A), see Figure 7.



The area of the opening for smoke extraction must be at least double the cross-section of the flue/piped system, and arranged so that the smoke outlet is ensured even in the presence of strong wind. The chimneypot must prevent rain, snow or animals from entering the chimney. The height of outflow into the atmosphere must be beyond the reflux area caused by the shape of the roof or any nearby obstacles (see Figures 2-3-4-5-6).

FIGURE 7

### CHIMNEY COMPONENTS



- KEY:
- (1) CHIMNEYPOT
  - (2) REFLUX CHANNEL
  - (3) SMOKE DUCT
  - (4) THERMAL INSULATION
  - (5) OUTSIDE WALL
  - (6) CHIMNEY FITTING
  - (7) SMOKE DUCT
  - (8) HEAT GENERATOR
  - (9) INSPECTION ACCESS PANEL

FIGURE 8

## 2-INSTALLATION

### EXTERNAL AIR INLET

It is mandatory to provide an adequate external air inlet that supplies the combustion air required for the product to work properly. The flow of air between the outside and the installation room may be direct, through an inlet in an external wall of the room (preferable solution see Figure 9 a), or indirect, via air intake from adjoining rooms and connecting permanently with the installation room (see Figure 9 b). Adjoining areas may not include sleeping areas, bathrooms, garages or in general areas with a fire hazard. During installation it is required to check the minimum clearances required to draw air from outside. Take into account the presence of doors and windows that may interfere with the proper flow of air to the stove (see diagram below).

The air inlet must have a minimum total net area of 80 cm<sup>2</sup>: the surface must be increased accordingly if other active generators (for example: electric fan for stale air extraction, cooker hood, other stoves, etc.), which may cause negative pressure in the room, are installed. Make sure that, with all appliances on, the pressure drop between the room and the outside does not exceed the value of 4 Pa (also for Oyster appliances if the combustion air has not been suitably ducted outside). If required, increase the intake section of the air inlet, which must be made at floor level and always protected with a bird-proof outer protection grid and in such a way that it cannot be obstructed by any object.

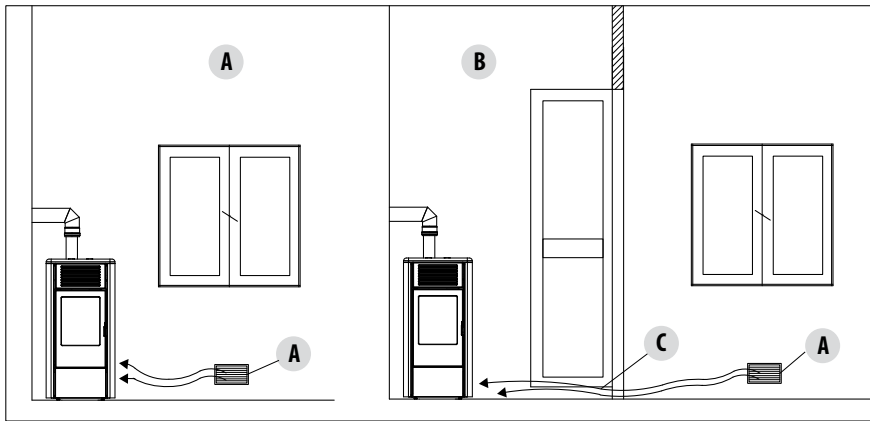
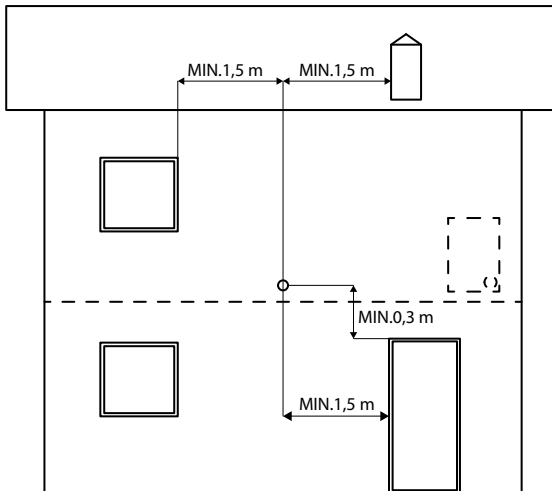


FIGURE 9 A - DIRECTLY FROM OUTSIDE

FIGURE 9 B - INDIRECTLY FROM THE ADJACENT ROOM



A=AIR INLET  
B=ROOM TO BE VENTILATED  
C=INCREASE OF THE GAP UNDER THE DOOR

It is possible to connect the air required for combustion directly to the outside air inlet, with a pipe of at least Ø50mm, with maximum length of 3 linear metres; each pipe bend shall be considered equivalent to a linear metre. To attach the pipe see the rear of the stove.

For stoves installed in studio flats, bedrooms and bathrooms (where allowed), it is mandatory to connect the combustion air outside. Specifically for sealed stoves the connection must be sealed in order not to compromise the overall sealing of the system.

FIGURE 10



## 2-INSTALLATION

DISTANCE (metres)	The air inlet must be at a distance of:	
1.5 m	BELOW	Doors, windows, smoke outlets, gaps, ....
1.5 m	HORIZONTALLY	Doors, windows, smoke outlets, gaps, ....
0.3 m	ABOVE	Doors, windows, smoke outlets, gaps, ....
1.5 m	AT A DISTANCE	from smoke outlet

### CONNECTION TO THE FLUE

The connection between the flue and the appliance must be via a smoke duct compliant to EN 1856-2. The connecting section must extend no more than 4 m horizontally, with a minimum slope of 3% and with a maximum of 3 x 90° bends (accessible for inspection - do not count the Tee fitting at the appliance outlet).

The diameter of the smoke duct must be equal to or greater than that of the outlet of the appliance (Ø 80 mm).

TYPE OF SYSTEM	SMOKE DUCT
Minimum vertical length	1.5 metres
Maximum length (with 1 accessible 90° bend)	6.5 metres
Maximum length (with 3 accessible 90° bends)	4.5 metres
Maximum number of accessible 90° bends	3
Horizontal sections (minimum slope 3%)	4 metres

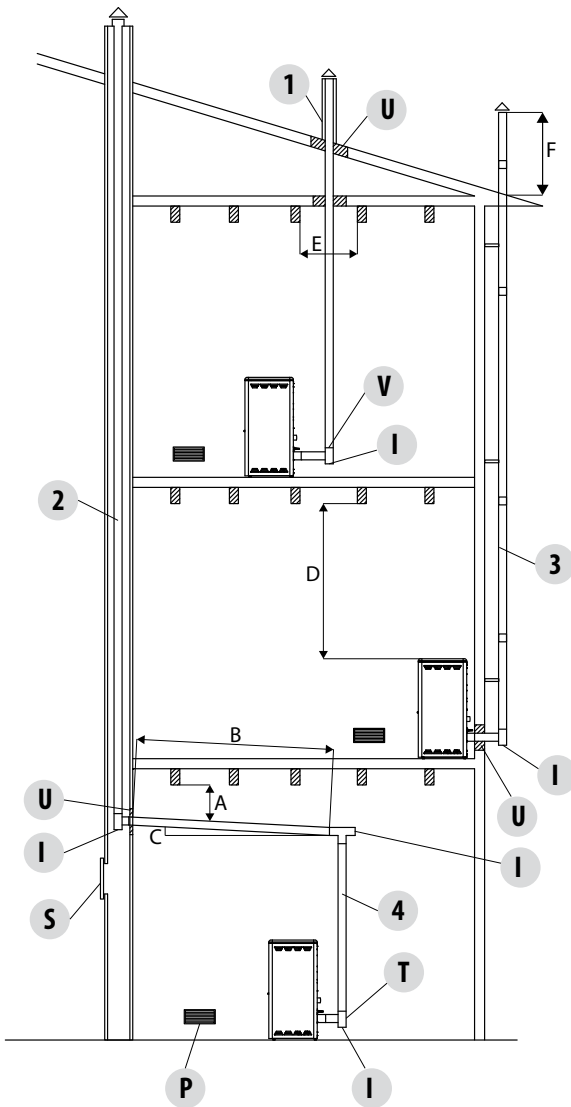
Use smoke ducts with a diameter of 80mm or 100mm depending on the type of system, with silicone gaskets or similar sealing devices that can withstand the high operating temperatures of the appliance (min. T200 class P1). **The use of flexible metal tubes made of fibre cement or aluminium is forbidden. For direction changes, we always recommend the use of a Tee fitting with an inspection cap allowing easy access for cleaning the tubes.** Always ensure that the inspection cap is put back in place and sealed hermetically with the relevant seal intact after cleaning.

It is prohibited to connect more than one appliance to the same smoke duct, or the discharge from hoods above it. It is forbidden to extract the combustion products directly through the wall, whether towards indoor spaces or outdoors.

The smoke duct must be at a minimum distance of 400 mm from flammable or heat-sensitive structures.

## 2-INSTALLATION

### EXAMPLES OF CORRECT INSTALLATION



1. Installation of  $\varnothing 120\text{mm}$  flue with hole for the passage of the pipe increased by:  
 minimum 100mm around the pipe if next to non-flammable parts such as cement, brick, etc.; or  
 minimum 300mm around the pipe (or as required by plate data) if next to flammable parts such as wood etc.  
 In both cases, install suitable insulation between the flue and the ceiling.

Always check and comply with the plate data of the flue, specifically the minimum safety distances from combustible materials.

The previous rules also apply for holes made in walls.

2. Old flue, minimum pipe  $\varnothing 100\text{mm}$  with the inclusion of an external access door for chimney cleaning.

3. External flue made of insulated stainless-steel pipes, i.e. with double walls minimum  $\varnothing 100\text{mm}$ : all securely mounted on the wall. With windproof chimneypot. See fig. 7 type A.

4. Ducting system using Tee fittings that allow easy access for cleaning without having to remove the pipes.

FIGURE 11

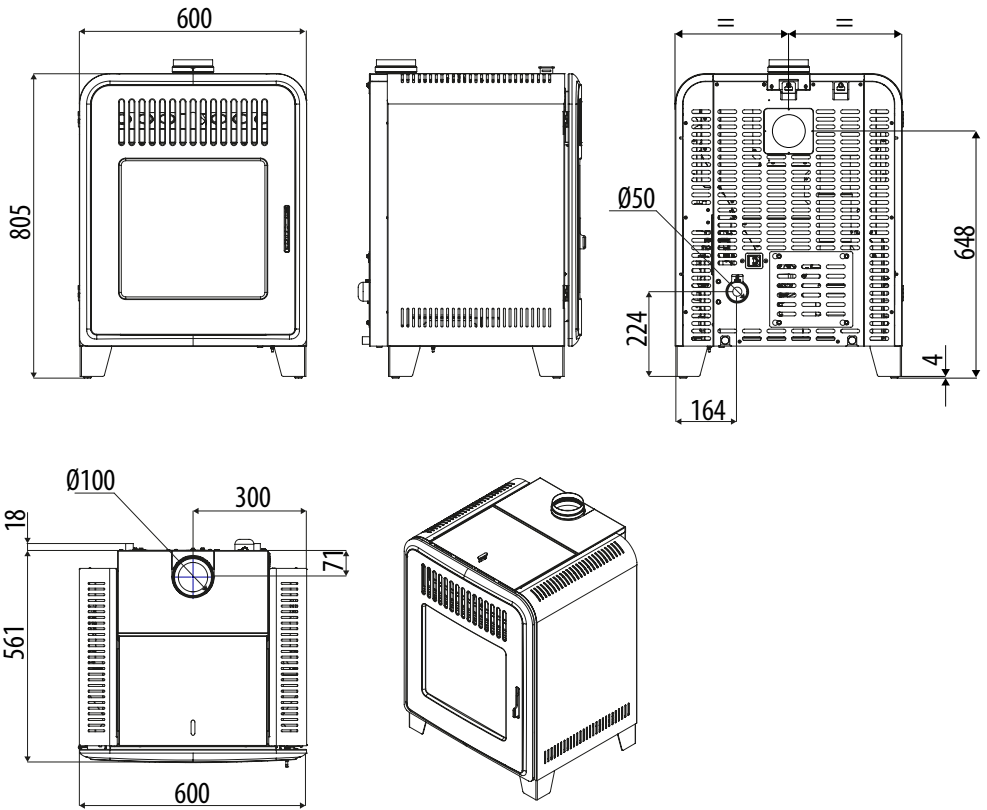
U = INSULATION  
 V = ANY REDUCTION FROM 100 TO 80 MM  
 I = INSPECTION CAP  
 S = INSPECTION ACCESS PANEL  
 P = AIR INLET  
 T = TEE FITTING WITH INSPECTION CAP

A = MINIMUM 40 MM  
 B = MAXIMUM 4 M  
 C = MINIMUM  $3^\circ$   
 D = MINIMUM 400 MM  
 E = HOLE DIAMETER  
 F = SEE FIG.2-3-4-5-6

### 3-DRAWINGS AND TECHNICAL FEATURES

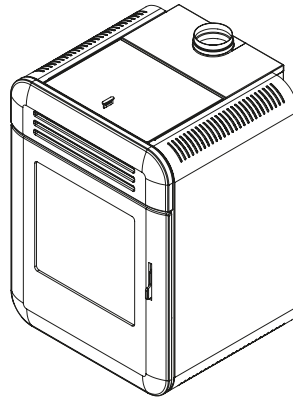
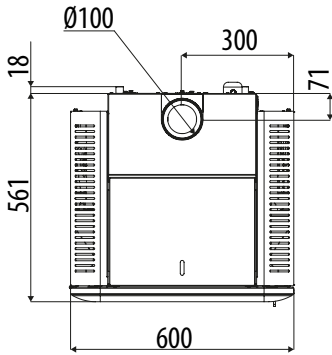
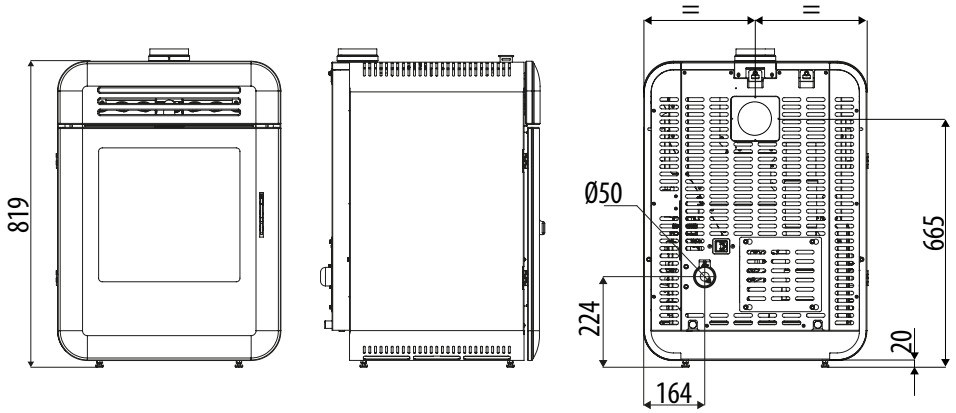
#### DRAWINGS AND CHARACTERISTICS

#### CUTE AIR 8 M1 STOVE DIMENSIONS



### 3-DRAWINGS AND TECHNICAL FEATURES

#### THEMA AIR 8 M1 STOVE DIMENSIONS



### 3-DRAWINGS AND TECHNICAL FEATURES

TECHNICAL SPECIFICATIONS	CUTE AIR 8 M1/ THEMA AIR 8 M1
Energy Efficiency Class	A+
Nominal output power	8.0 kW (6880 kcal/h)
Minimum output power	2.4 kW (2064 kcal/h)
Efficiency at Max	92.7%
Efficiency at Min	94.3%
Temperature of exhaust smoke at Max	135 °C
Temperature of exhaust smoke at Min	73°C
Particulate / OGC / Nox (13%O <sub>2</sub> )	8 mg/Nm <sup>3</sup> - 1 mg/Nm <sup>3</sup> - 123 mg/Nm <sup>3</sup>
CO at 13% O <sub>2</sub> at Min and at Max	0.040 – 0.004%
CO <sub>2</sub> at Min and at Max	7.1% - 12.1%
Recommended draught at Max power ***	0.10 mbar - 10 Pa***
Minimum draught allowed at minimum power	0.05 mbar - 5 Pa
Smoke mass	4.8 g/sec
Hopper capacity	23 litres
Type of pellet fuel	Ø 6 mm 3 ÷ 40 mm
Pellet hourly consumption	Min ~ 0.5 kg/h* - Max ~ 1.8 kg/h*
Autonomy	At min ~ 30 h* - At max ~ 8 h*
Heatable volume m <sup>3</sup>	172/40 – 197/35 – 229/30 **
Combustion air inlet	Ø 50 mm
Smoke outlet	Ø 100 mm
Air inlet	80 cm <sup>2</sup>
Rated electrical power (EN 60335-1)	64 W (Max 335 W)
Supply voltage and frequency	230 Volt / 50 Hz
Net weight	200 kg
Weight with packaging	210 kg
Distance from combustible material (back/side/under)	30mm/50mm/0 mm
Distance from combustible material (ceiling/front)	800mm/800 mm

\* Data that may vary depending on what type of pellets are used

\*\* Volume that can be heated, according to the power requirement per m<sup>3</sup> (respectively 40-35-30 Kcal/h per m<sup>3</sup>)

\*\*\*Value recommended by the manufacturer (non-binding) for optimal product operation

**Tested according to EN 14785 in accordance with European regulation for Construction Products (EU 305/2011).**

## 4-UNPACKING

### PREPARATION AND UNPACKING

The packaging consists of a recyclable cardboard box in line with RESY standards and a wooden pallet. All packaging materials can be reused for similar use or eventually disposed of as urban solid waste, in compliance with the regulations in force.

After having removed the packaging make sure the product is intact.



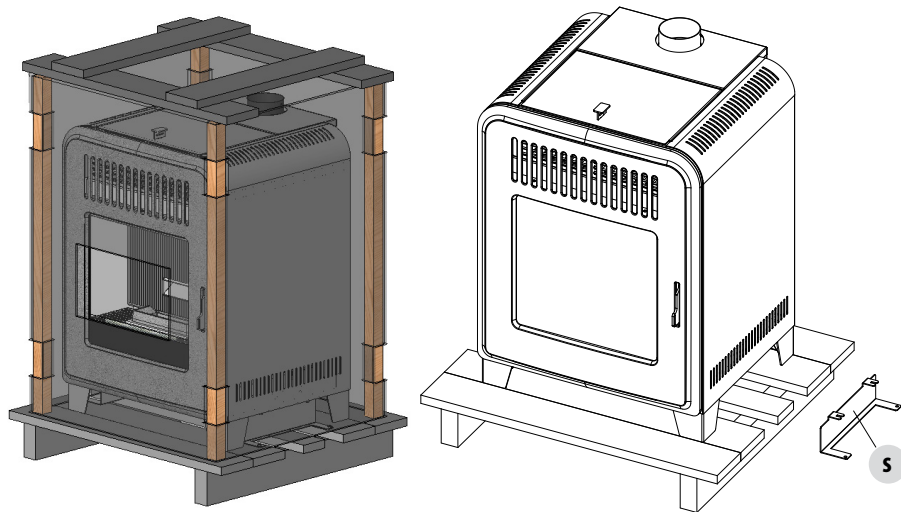
Handle the product with suitable means paying attention to the applicable safety regulations in force. Do not turn the packaging over and handle the majolica parts with care.

The stoves are delivered in a single package with ceramic panels or steel side panels packaged together with the structure and placed on top or at the side. Open the package, remove the cardboard, polystyrene and any straps and position the stove in the preset place making sure that it complies with the requirements.

The stove body or unit must always be kept in a vertical position when handled, and handled using carts only. Pay particular attention to the door and its glass, protecting them from mechanical knocks that would compromise their integrity.

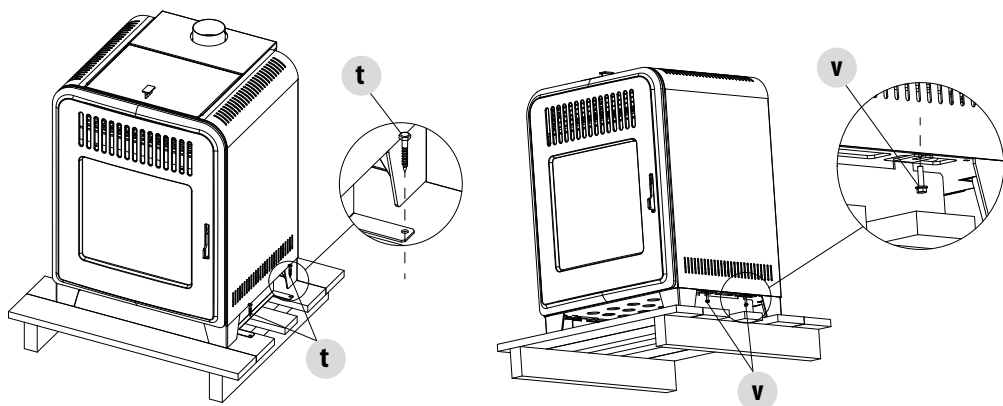
If possible, unwrap the stove near the chosen area of installation.

The packaging materials are neither toxic nor harmful.



## 4-UNPACKING

Remove the stoves from the pallet by removing the two screws "u" and the plate "s" from the stove foot. There are four brackets "s".



REMOVING THE FASTENING BRACKETS

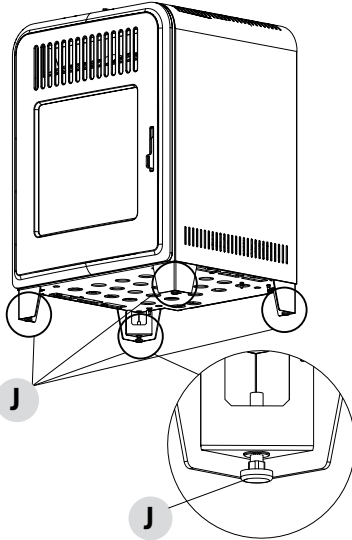
## 4-UNPACKING

Position the stove and connect it to the flue. Use the 4 adjustable feet (**J**) to get the stove correctly levelled so that the smoke outlet is lined up with the connecting pipe.

If the stove needs to be connected to an outlet pipe which goes through the rear wall (to connect to the flue), take utmost care to make sure that the joint is not forced.



*If the stove smoke outlet is forced or used improperly to lift it or position it, the operation of the stove can be damaged irreparably.*



1. TURN THE FEET CLOCKWISE TO LOWER THE STOVE
2. TURN THE FEET ANTICLOCKWISE TO RAISE THE STOVE

### THEMA STOVE CERAMIC/STEATITE PACKAGING

The front panel of ceramic or soapstone will have a packaged separately and will then be installed on the stove



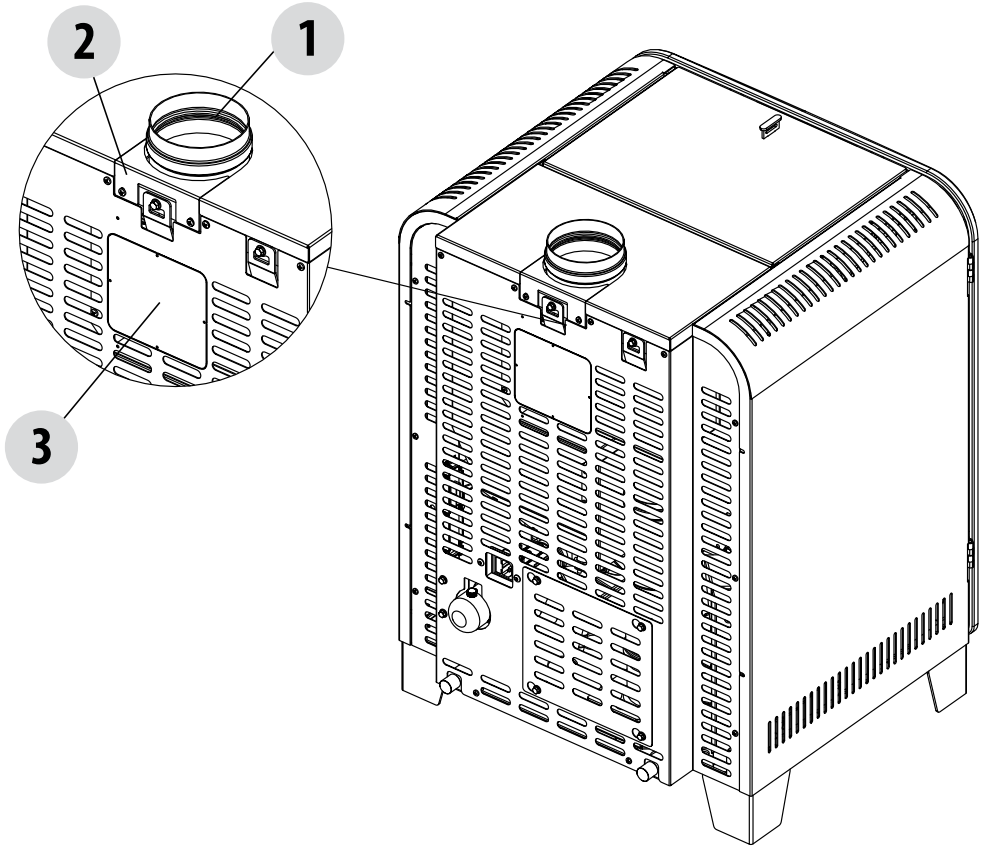
## 5- SMOKE OUTLET

### SMOKE OUTLET

As per standard the stove is designed for upper smoke outlet (UP!). With a few easy manoeuvres the smoke outlet can be brought to the back.

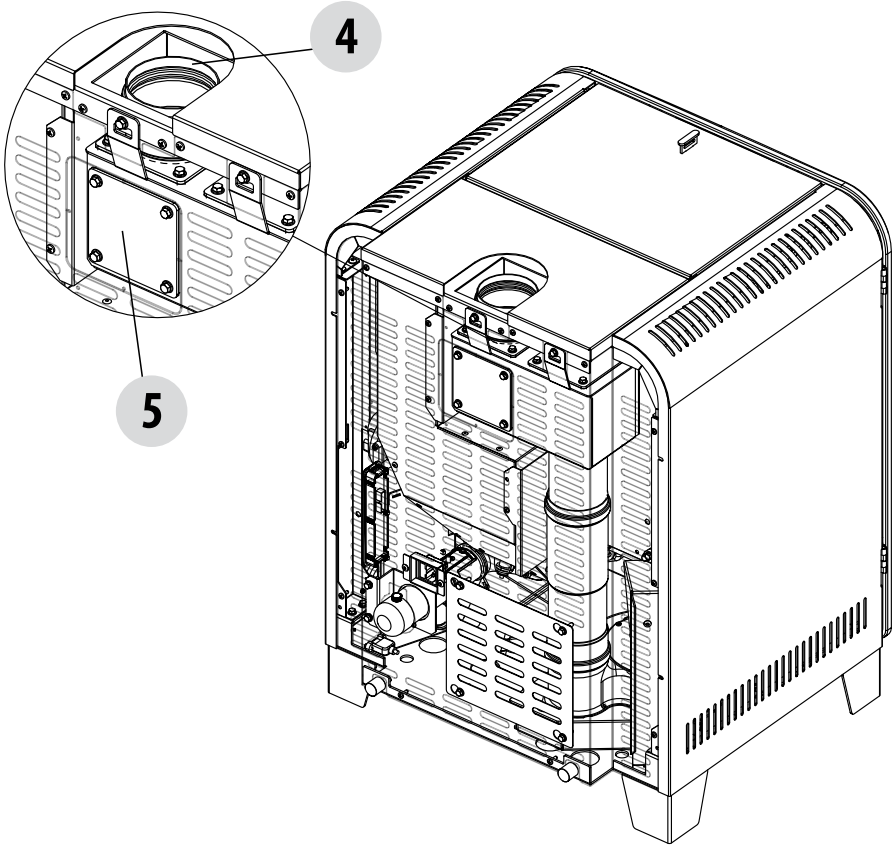
The installer must carry out the following steps:

- eliminate the adapter 80/100 (part "1")
- eliminate the filler "2"
- remove the knockout hole "3"



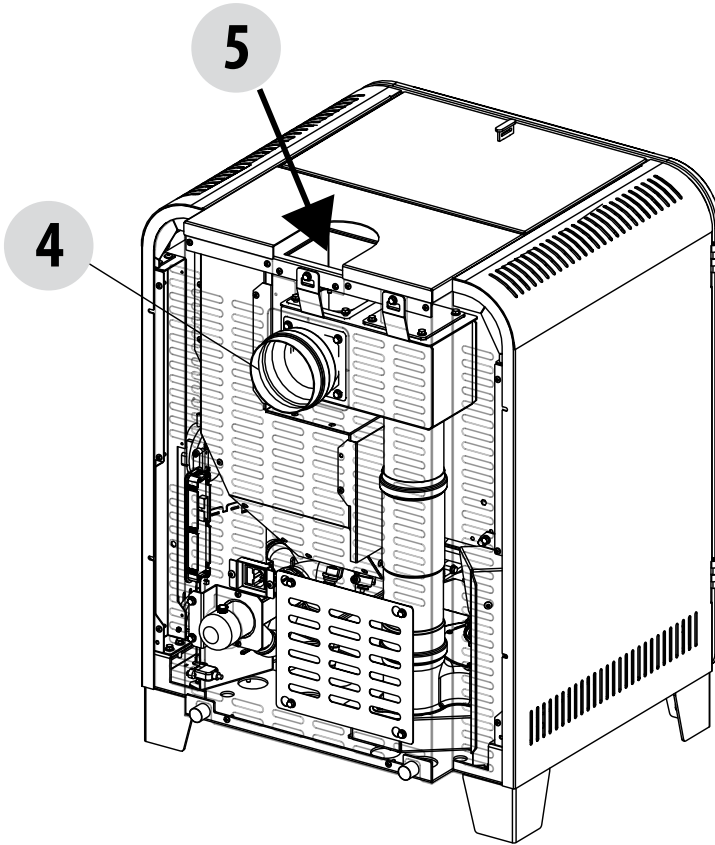
## 5- SMOKE OUTLET

- disassemble female pipe-diameter 80 (part "4")
- remove lid "5"



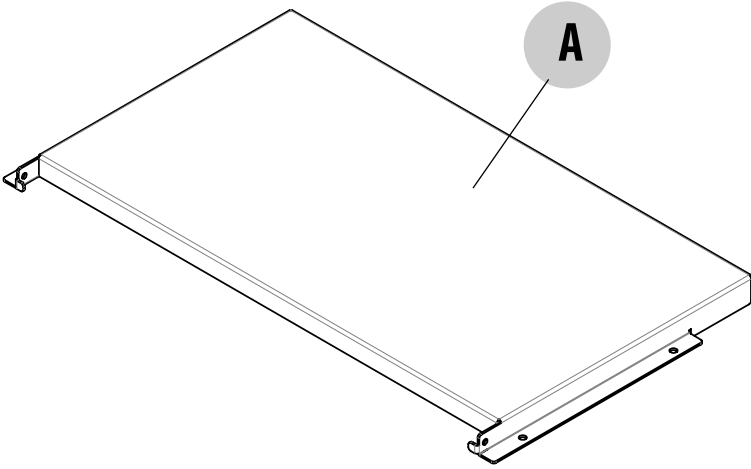
## 5- SMOKE OUTLET

- mount the female pipe diameter 80 (part "4") at the back where the lid "5" was mounted
  - mount lid "5" at the top where the female pipe diameter 80 was mounted "4"
- At this point install the pipes for the rear outlet



## 5- SMOKE OUTLET

In the case of rear installation, the 4019010 kit must be purchased. It is a part of top "A" without the hole for the top smoke outlet (see dedicated manual).

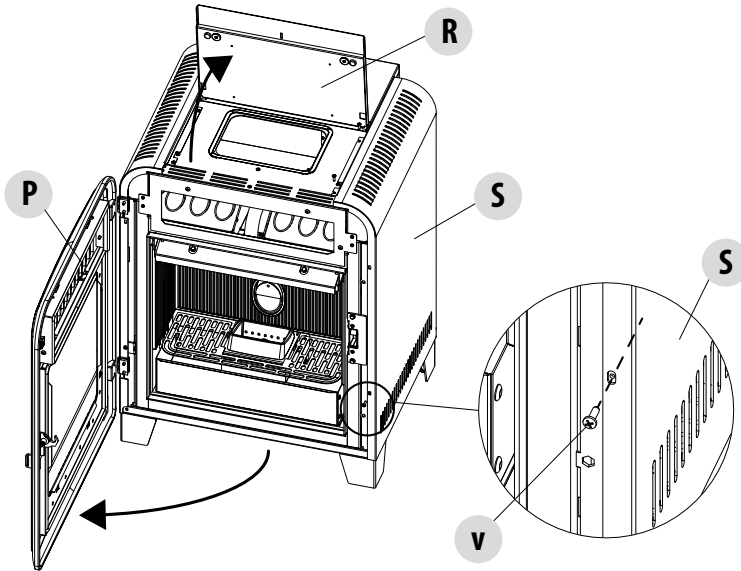


## 6-INSTALLATION AND ASSEMBLY

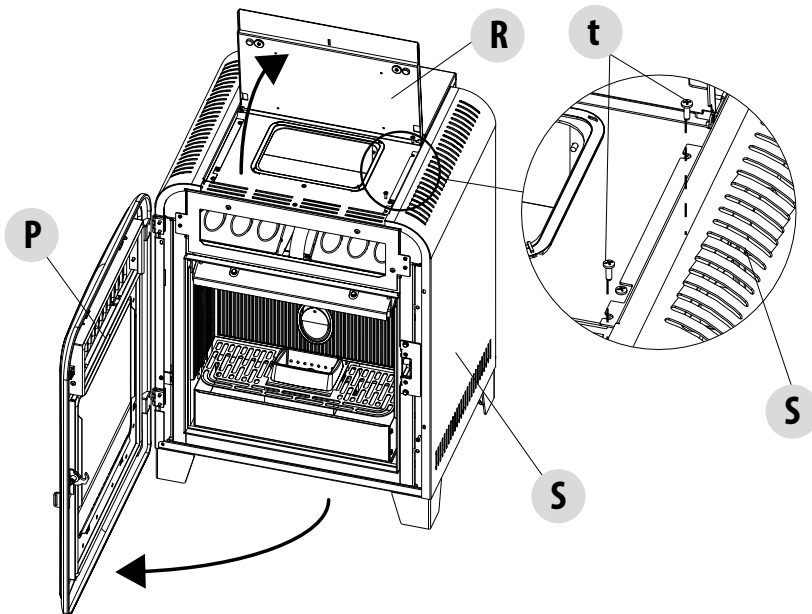
### DISASSEMBLING THE SIDE CLADDING

In the event the side has to be removed, proceed as follows:

- Open the door "P"
- Lift the pellet cover "R"
- Remove the screw "v" at the front bottom part of the stove



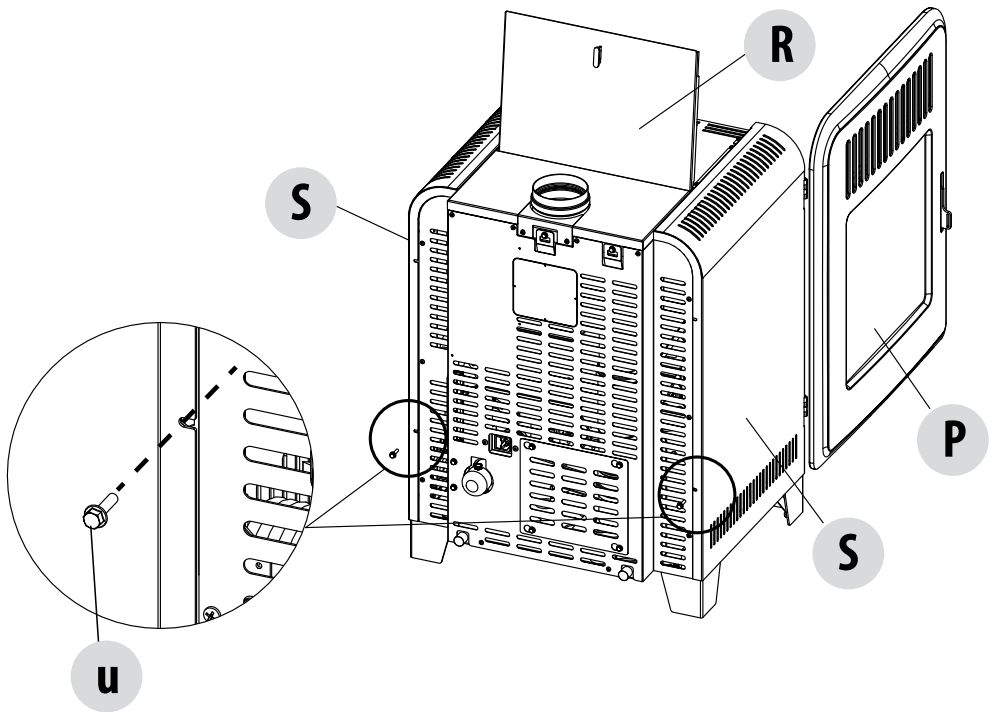
- Remove the two screws "t" at the top of the stove, under the pellet cover "R"



## 6-INSTALLATION AND ASSEMBLY

- Remove the two screws “u” on the back of the stove
- Pull out the panel “S”

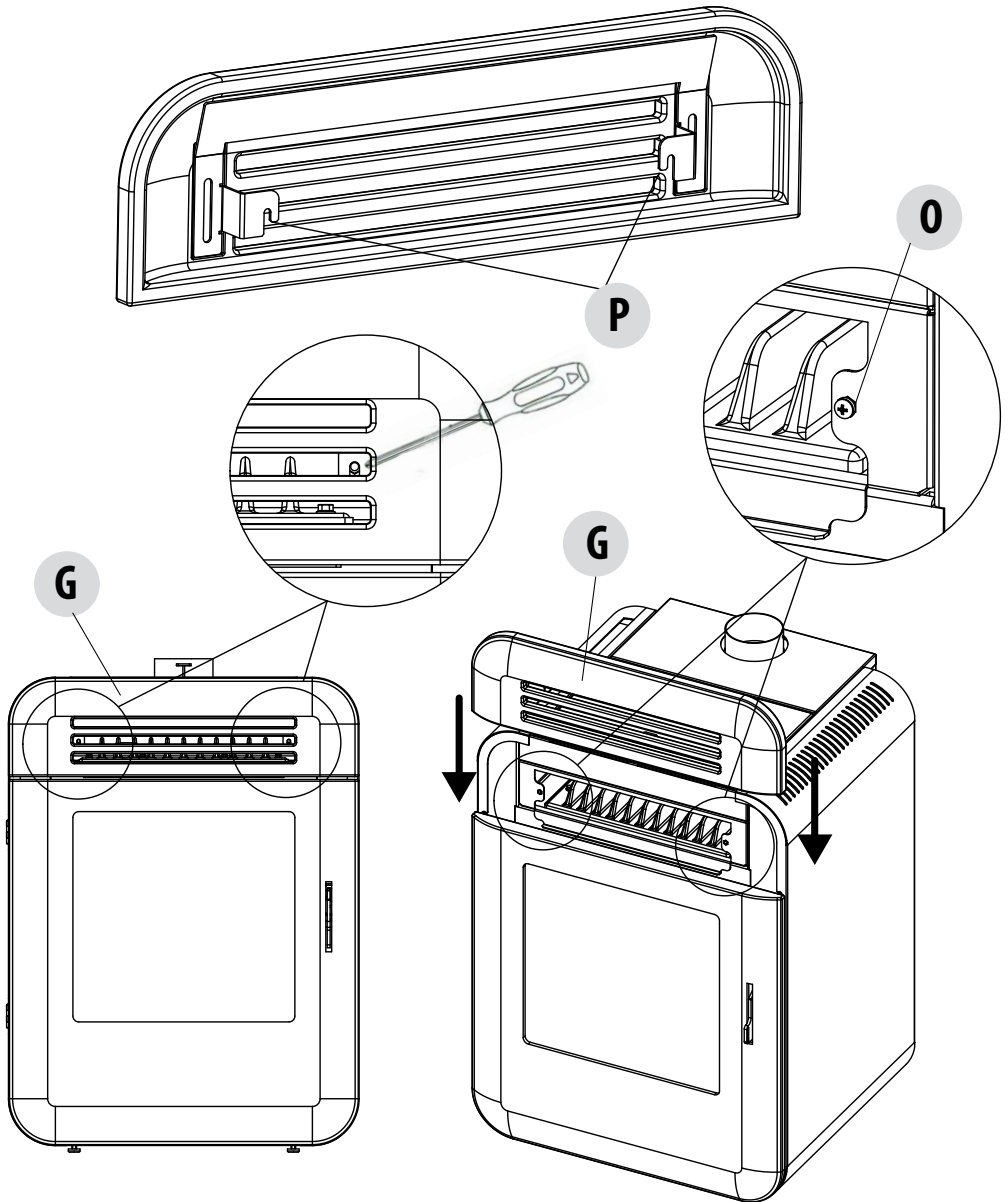
Proceed in the same way also for the other panel.



## 6-INSTALLATION AND ASSEMBLY

### ASSEMBLING THE THEMA STOVE CERAMIC/STEATITE

Take the front panel (ceramic or steatite) "G" and fit the slots "P", located at the back of the panel, on the screws "O" on the front of the stove. Then clamp the panel to the stove by tightening the two screws "O" via the holes in the panel "G" itself.



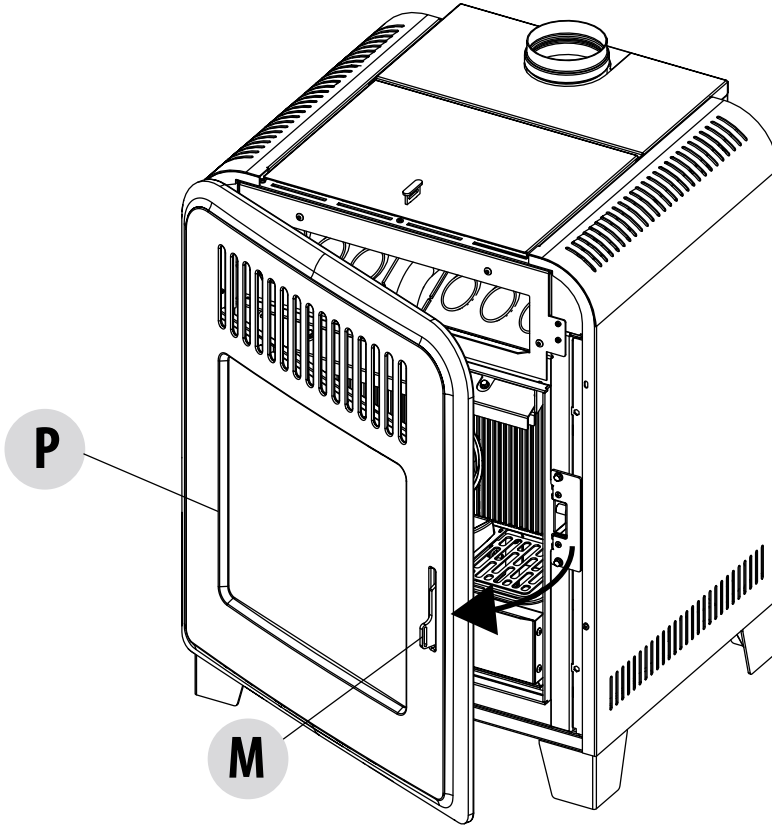
## 7-DOOR OPENING

### OPENING THE DOOR OF THE FIREBOX

To open the firebox door "P", insert the cold handle (supplied) into the hole in the handle "M" and pull it towards you.



**Attention!** Only open the door when the stove is off and cold.

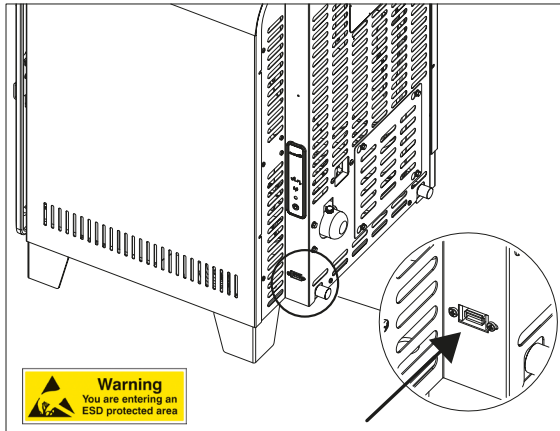




## 8-USB SOCKET

### USB SOCKET

There is a USB socket on the bottom of the stove, near the control panel, if a software update is required; the cladding parts do not have to be removed to reach the socket directly in the circuit board (pos. 2 in the PCB).



**Attention!**  
*The USB socket must be used by skilled technicians.  
Risk of damaging the product.*

## 9-ELECTRICAL CONNECTION

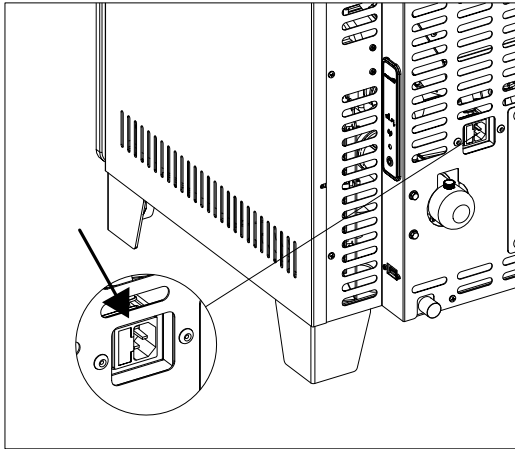
### ELECTRICAL CONNECTION

First connect the power cable to the back of the stove and then to a wall socket.



*It is recommended to disconnect the power cable when the stove is not used.*

*The cable must never come into contact with the smoke exhaust pipe or any other part of the stove.*

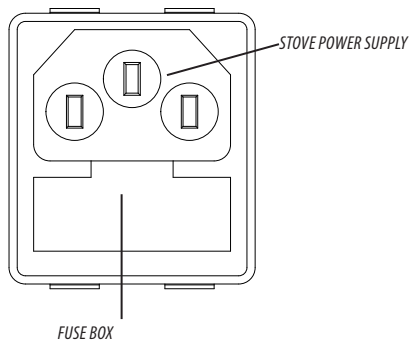


ELECTRICAL STOVE CONNECTION

### STOVE POWER SUPPLY

Connect the power cable to the back of the stove and then to a wall socket. The stove is then powered.

There is a fuse box also in the switch block next to the power socket. Open this compartment by simply lifting the cover, using a screwdriver as a lever from inside the power outlet compartment. Inside there are two fuses (5x20 mm T delayed / 3.15 A 250 V), which may need to be replaced if the stove is not powered (e.g. the control panel display does not light up) - operation to be implemented by an authorised and skilled technician.



#### **ATTENTION!**

**All cleaning and / or replacement of parts must be carried out with the electric plug disconnected. Disconnect the product from the 230V power supply before performing any maintenance operations. If the cable is damaged, replace it.**

## 10-LOADING THE PELLETS

### LOADING THE PELLETS

Fuel is loaded from the upper part of the stove by lifting the door "R".  
Pour the pellets in slowly so that they are deposited at the bottom of the hopper.



*If loading pellets when the stove is running, open the door of the hopper using the stove mitten that comes with the stove itself.*



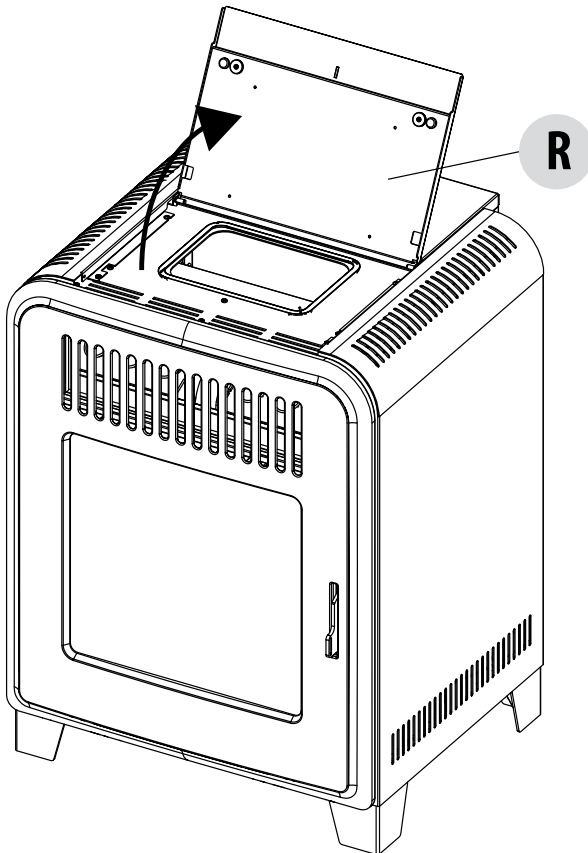
*When loading, do not let the pellet bag come into contact with hot surfaces.*

*Never remove the protection grid inside the hopper.*

*No other type of fuel other than pellets is to be inserted into the hopper, in compliance with above-mentioned specifications. Store the spare fuel at an adequate safe distance.*

*Do not pour pellets directly onto the brazier but only into the hopper.*

*When the appliance is running and when it is turned off, most of the stove surfaces are very hot (door, handle, glass, smoke outlet pipes, etc.). Therefore it is recommended to avoid coming into contact with these parts.*





**MCZ GROUP S.p.A.**

Via La Croce n°8

33074 Vigonovo di Fontanafredda (PN) – ITALY

Telephone: 0434/599599 a.s.

Fax: 0434/599598

Internet: [www.mcz.it](http://www.mcz.it)

e-mail: [mcz@mcz.it](mailto:mcz@mcz.it)