
Assembly and installation instructions PINUS-II

Room for type designation and manufacturing number:

Transfer from nameplate

Equipment type:

Manufacturing number:

Test no. insert: RRF-40 14 3539**Our supply program:****Oil stoves**

Fireplaces

Pellet stoves

Tiled and slow-burning stoves for wood and coal

Slow-burning stoves and auxiliary stoves for wood, coal and oil

Fireplace inserts for wood

HAAS+SOHN
OFENTECHNIK GMBH
Urstein Nord 67
A-5412 Puch
eMail: office@haassohn.com
http://www.haassohn.com

Sales and distribution in Germany
Haas+Sohn Ofentechnik GmbH
Herborner Straße 7-9
D-35764 Sinn
eMail: info@haassohn.com

1 PRELIMINARY REMARKS

Please read the assembly and operating instructions of your fireplace insert before these installation instructions.

The following are additional parts of these installation instructions:

- * "Equipment sheet complete",

When unpacking the concrete elements, possible irregularities (cracks or joints) can be detected if applicable, these should be filled with the enclosed adhesive.

2 PREREQUISITES

The load-carrying capacity of the floor must always be clarified before installing your fireplace kit. The total weight of the complete fireplace kit (fireplace with refractory lining and the artificial stone lining) can amount to approximately 390 to roughly 395 kg depending on the model. With wooden beam ceilings it is essential to consult a structural engineer.

Important: Observe the regulation of the fire protection authorities and the national construction regulations applicable at the place of installation when installing your fireplace kit.

3 TOOLS

For the installation of the artificial stone lining you will require the following tools:

- | | | |
|---------------------|-----------------|--------------------------------|
| – Water level | – rubber hammer | – open-end wrench size
13mm |
| – Steel square 90 ° | – Pencil | – Paint roller |
| – Trowel | – Sponge | – gun |

4 MATERIAL

- | | | |
|-----------|-----------------------|---------|
| – Paint | – Plaster if required | – Water |
| – Acrylic | | |

5 KIT INSTALLATION

1. Carefully unpack the artificial stone lining including accessories. Check your kit for completeness using the enclosed parts list. Sort the parts in accordance with the installation sequence (see parts list text and illustration).
2. Adjust the fireplace to the correct height using the open-end wrench size 13mm by turning the adjustable feet. The ideal height is shown in Figure 2. For comparison, install the base with the base plate. The lower edge of the panel with air damper on the fireplace can end flush with the sub-structure of the concrete lining or be approximately 1 to 2 mm higher (Attention: The gluing will result in a minimal change of the overall height: however it is possible to subsequently adjust the correct height by turning the adjustable feet).
3. In addition to this the distance to the screen wall must be adjusted to the correct dimension (see Figure 2).

Important: After this, adjust the fireplace horizontally using the water level.

4. Locate the flue pipe connection (e.g. with double wall lining) in the chimney (see installation and operating instructions of the fireplace).
5. Now start installing the kit.

6 INSTRUCTIONS

It is not permissible to install the kit by gluing the elements together without protecting the fireplace hood against slipping!

To avoid minor joints between the kit and the wall we recommend to grout these with acrylic compound (in contrast with silicon, acrylic can be painted over immediately).

Once the fireplace kit has dried, the fireplace can be painted (mineral-based paint, no depth primer required). In order to achieve a fine-grain structure, simply mix some adhesive into the paint for the first coat. Use only paint for the second coat. Of course roll-on or rub-on plasters can also be used to finish the surface.

Allow the fireplace kit to dry for at least two weeks before initial start-up.

To start the fireplace: Carefully read the operating instructions and start the fireplace using little wood. After approximately one hour the device can be heated to rated heat.

Artificial stone kit – PINUS – Parts list

Item No.	No.	Quantity	Designation	Finish	Material
0621870000100	1	1	Base plate	Artificial stone	Artificial stone
0621870000200	2	1	Base	Artificial stone	Artificial stone
0621870000300	3	1	Lateral part left	Artificial stone	Artificial stone
0621870000400	4	1	Lateral part right	Artificial stone	Artificial stone
0621870000500	5	1	Fireplace hood bottom	Artificial stone	Artificial stone
0621870000600	6	1	Lateral part rear left	Artificial stone	Artificial stone
0621870000700	7	1	Wood storage compartment bottom	Artificial stone	Artificial stone
0621870000800	8	1	Wood storage compartment top	Artificial stone	Artificial stone
0621870000900	9	1	Fireplace hood top	Artificial stone	Artificial stone
0621870001100	11	1	Air grill	Steel plate	Steel plate
0621870001200	12	1	Air grill	Steel plate	Steel plate
0621800105000	13	1	Adhesive		

Installation instructions artificial stone kit PINUS

Note: Prior to installation, check the exact position of the insert. Always ensure that the components are installed level and plumb.

1. First install the lateral components of the fireplace kit in the dry state (Fig.2-10). Check to see if the elements are level and plumb. Then mark the correct position using the pencil.

Remove all elements again and re-join in the sequence using the tile adhesive (Fig.2-10).

2. Mix the supplied adhesive (safety adhesive) with water until it has a consistency similar to toothpaste. Glue all elements together and to the wall. Clean and lightly moisten the bonding surface to achieve optimum adhesive strength. Remove excess adhesive with the trowel and a moist cloth. Now the joints compensated with acrylic.

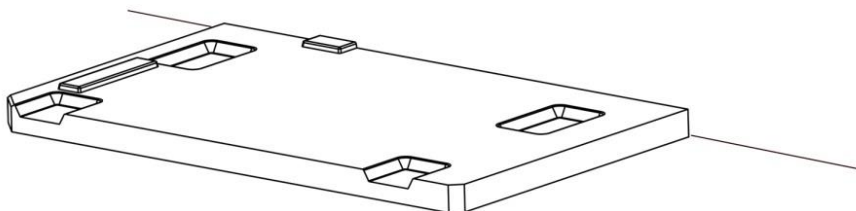


Figure 1: Position base plate insert

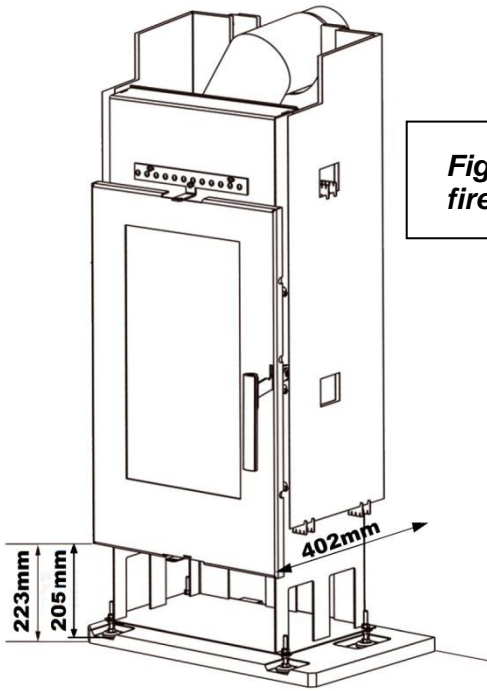


Figure 2: Position fireplace insert

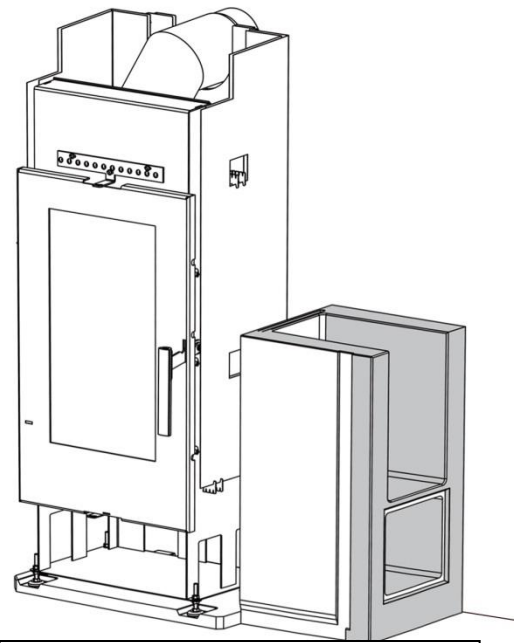


Figure 3: Installing the wood storage compartment bottom

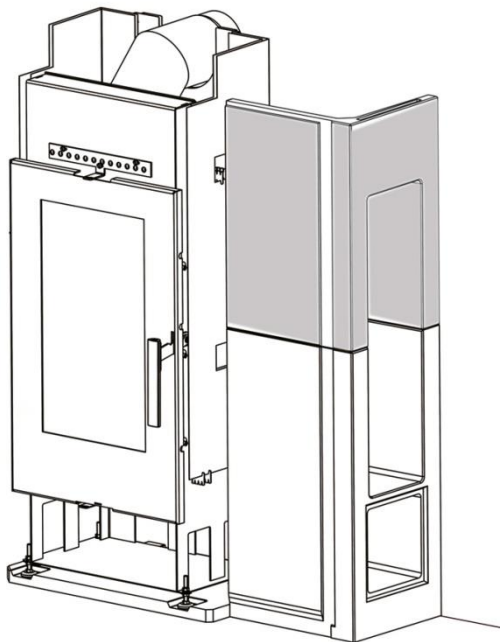


Figure 4: Installing the wood storage compartment top

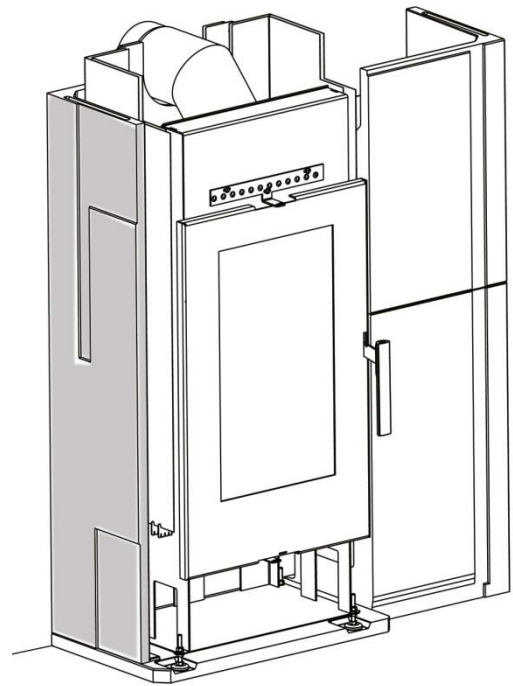


Figure 5: Installing the lateral parts rear left

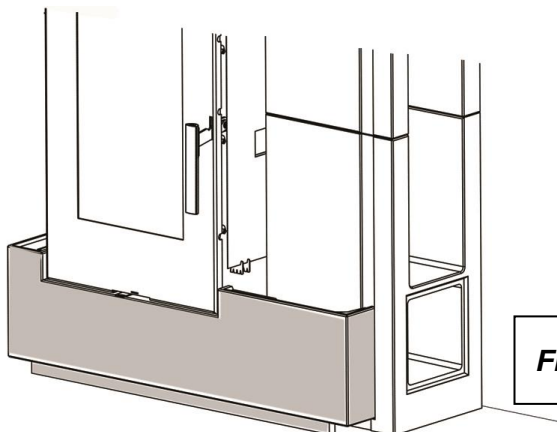


Figure 6: Installing the base

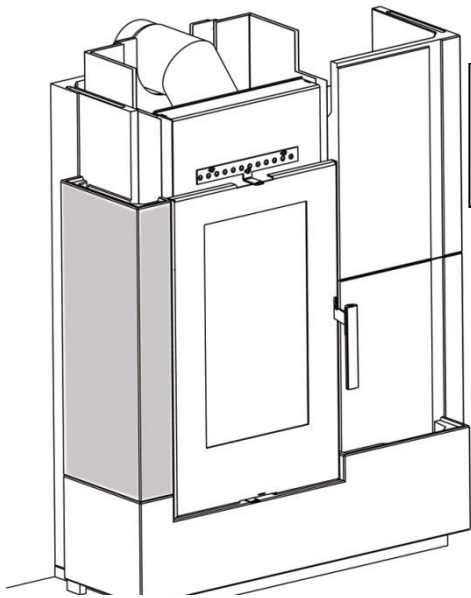


Figure 7+ 8: Installing the lateral parts left + right

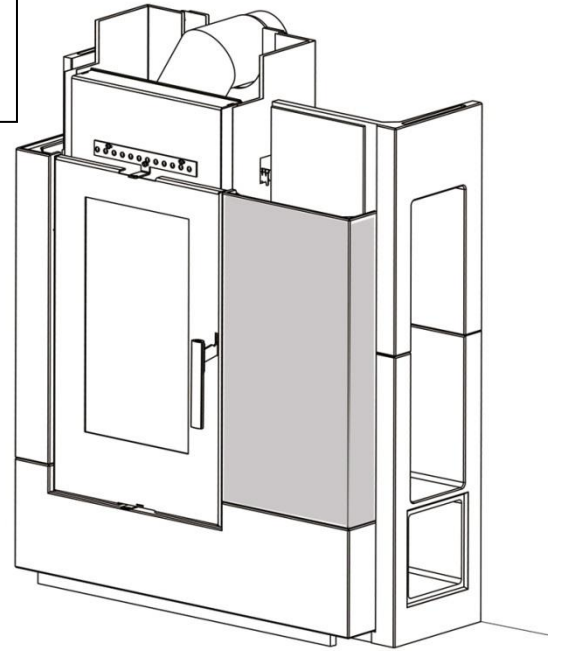


Figure 9+10: Assembling the fireplace hood bottom + top.

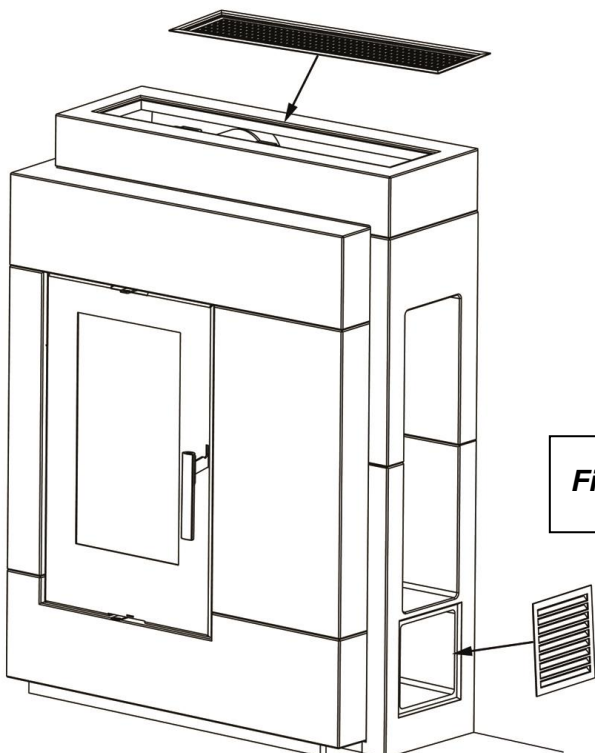
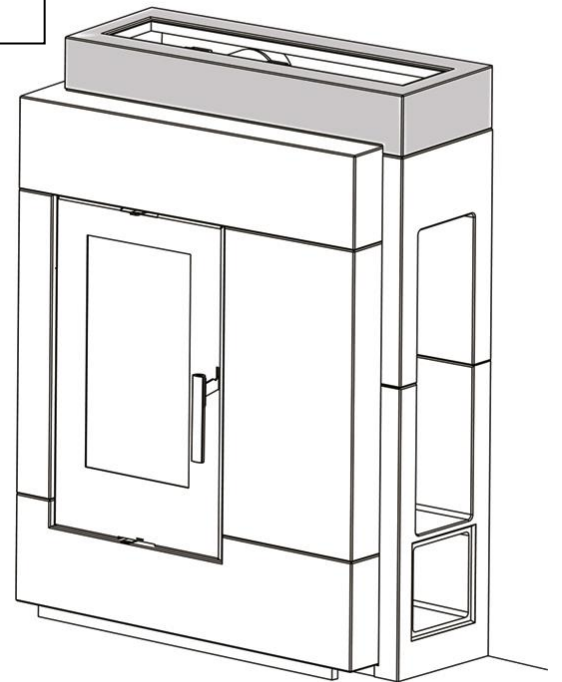
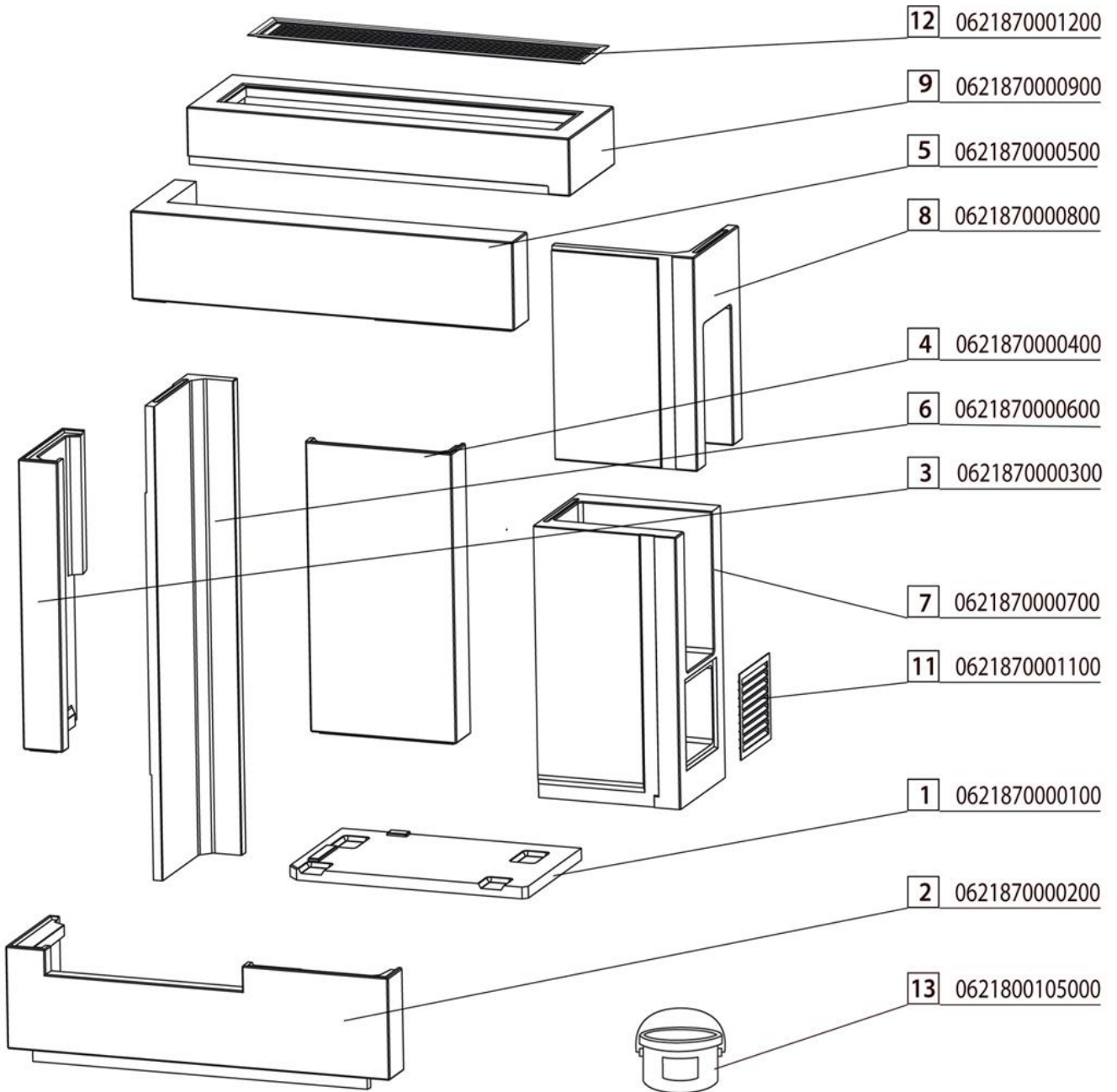


Figure 11 :Installing the air grill

Pinus



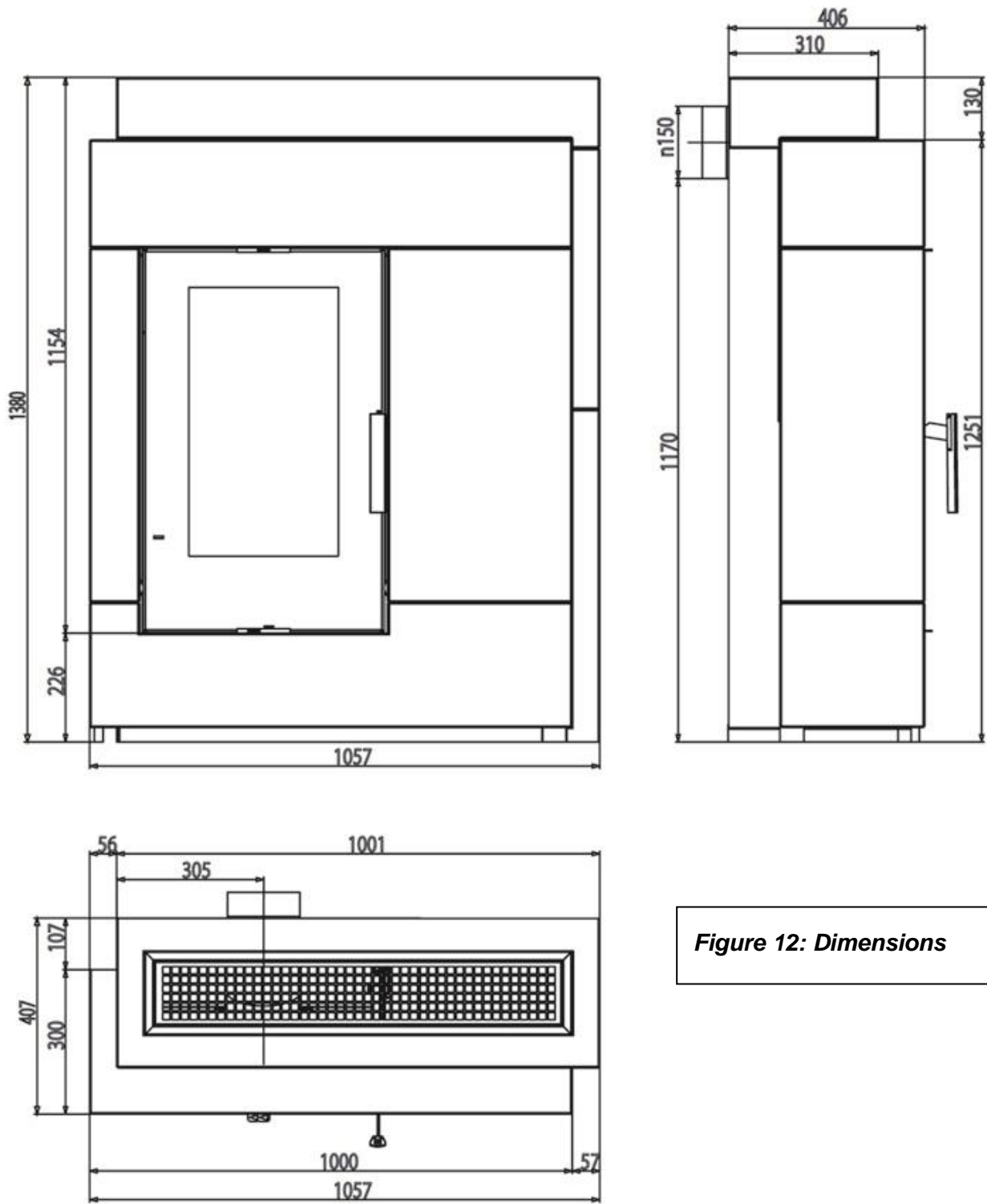


Figure 12: Dimensions

Procedure for end-of-life disposal of the heater

- Disassemble the central unit including the connected electrical components and hand them over for recycling.
- Disassemble the control unit and hand it over for recycling.
- Disassemble the electrical cables and hand them over for recycling as non-ferrous waste – it is not an electronic waste.
- Remove the lining of the combustion chamber and dispose of as construction debris.
- Remove the concrete parts of the fireplace kit and dispose of as construction debris.
- Remove the sealing and silicone residues and dispose of them with household waste.
- The heater body and any steel or cast iron parts are to be recycled as metal waste.
- Disassemble the temperature sensors and hand them over for recycling as metal waste. (for pellet stoves)
- Disassemble the door glass and dispose of with household waste (not to be sorted with glass waste).

We wish you much pleasure with your fireplace kit by

