

Extraflame®

Riscaldamento a Pellet



UK

PELLET STOVES USER MANUAL

SHARON PLUS

MADE IN ITALY
design & production

004280809 - REV.000

APPLY TECHNICAL
DATA LABEL

! ATTENTION



**SURFACES CAN BECOME VERY HOT!
ALWAYS USE PROTECTIVE GLOVES!**

During combustion, thermal energy is released that significantly increases the heat of surfaces, doors, handles, controls, glass, exhaust pipes, and even the front of the appliance. Avoid contact with those elements if not wearing protective clothing (protective gloves included). Make sure children are aware of the danger and keep them away from the stove during operation.

ENGLISH	5
WARNINGS	5
SAFETY	5
ROUTINE MAINTENANCE	7
INSTALLATION	8
PREPARATIONS FOR MAINTENANCE	8
HERMETICALLY SEALED INSTALLATION	10
COMBUSTION AIR	10
FUMES EXHAUST SYSTEM	10
DETAILS OF SHARON PLUS	11
STOVE POSITIONING	12
MANDATORY WALL MOUNT	12
COMBUSTION AIR	13
FLUE GAS OUTLET	13
HOT AIR DUCTING	13
ADDITIONAL THERMOSTAT TO CONTROL THE DUCT MOTOR	13
OPERATION IN AIR DUCTING WITH THERMOSTAT OR PROBE (OPTIONAL)	14
FUSE	15
NOTES FOR CORRECT OPERATION	15
PELLETS AND LOADING	16
PELLET HOPPER - PRESSURISED CLOSURE	16
RADIO/EMERGENCY CARD	17
RADIO CONTROL	18
CONFIGURATION	18
RADIO CONTROL DEVICE ROOM PROBE CALIBRATION	18
BATTERY TYPE AND REPLACEMENT	18
RADIO CONTROL DEVICE FEATURES	19
DISPLAY	20
GENERAL MENU	21
GENERAL WARNINGS	21
FIRST IGNITION SETTINGS	22
DATE-TIME	22
LANGUAGE	22
DEGREES	22
OPERATION AND LOGIC	23
MODES	24
FRONT AIR	24
AIR DUCTING	24
AIR ZONE CONTROL	24
EASY SET-UP	24
CHRONO	25
ENABLING	25
PRG 1-4	25
SETTINGS	27
DISPLAY	27
STAND BY	27
OPERATION WITH ADDITIONAL THERMOSTAT (OPTIONAL)	27
DELTA-T	28
FIRST LOAD	28
RESET	28
EASY CONTROL	28
OPERATION AND SOLUTIONS	29
ADDITIONAL FUNCTIONS	30
ADDITIONAL THERMOSTAT INSTALLATION (OPTIONAL)	30
DELAY SWITCH-OFF	30
CLEANING AND MAINTENANCE	31
MAINTENANCE	31
PERIODIC CLEANING UNDER USER'S RESPONSIBILITY	31
ROUTINE MAINTENANCE PERFORMED BY QUALIFIED TECHNICIANS	33
SHUT-DOWN (END OF SEASON)	33
DISPLAYS	35
ALARMS	35
DISPOSAL	36

IT - ATTENZIONE TASSATIVO PRIMA DI MOVIMENTARE LA STUFA TOGLIERE IL RIVESTIMENTO INDICATO PER EVITARE DANNI.

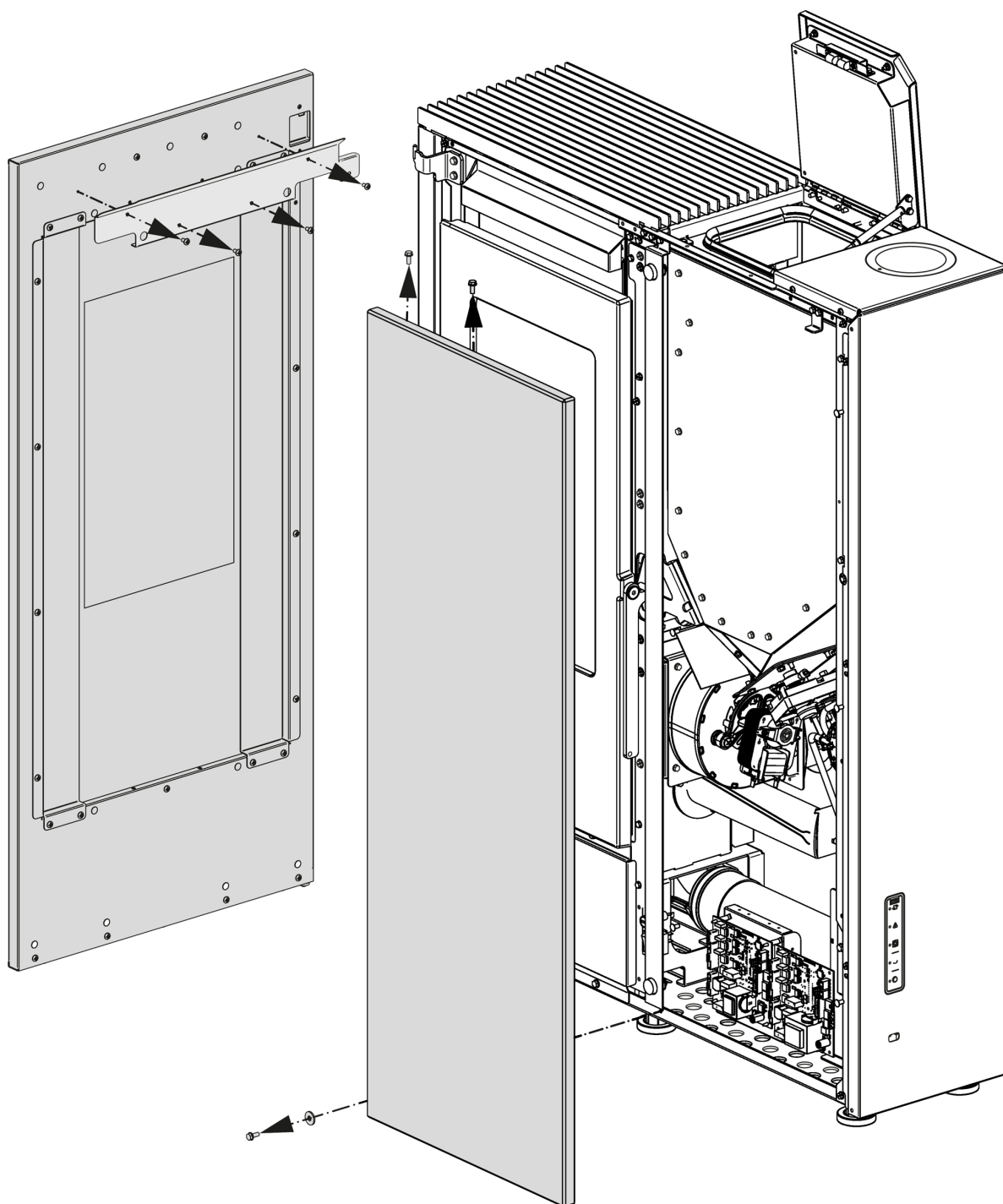
EN - WARNING BEFORE HANDLING THE STOVE, THE COVERING INDICATED MUST BE REMOVED TO AVOID DAMAGE.

FR - ATTENTION IMPÉRATIF AVANT DE DÉPLACER LE POËLE, RETIRER LE REVÊTEMENT INDIQUÉ POUR ÉVITER TOUT DOMMAGE.

DE - ACHTUNG PFLICHT BEVOR DER OFEN BEWEGT WIRD, MUSS DIE ANGEZEIGTE VERKLEIDUNG ENTFERNT WERDEN, UM SCHÄDEN ZU VERMEIDEN.

ES - ATENCIÓN TAXATIVO ANTES DE MANEJAR LA ESTUFA QUITAR EL REVESTIMIENTO INDICADO PARA EVITAR DAÑOS.

PT - ATENÇÃO OBRIGATÓRIO ANTES DE MOVIMENTAR O AQUECEDOR, RETIRAR O REVESTIMENTO INDICADO PARA EVITAR DANOS.



We thank you for having chosen our company; our product is a great heating solution developed from the most advanced technology with top quality machining and modern design, aimed at making you enjoy the fantastic sensation that the heat of a flame gives, in complete safety.

WARNINGS

This instructions manual is an integral part of the product: make sure that it always accompanies the appliance, even if transferred to another owner or user, or if transferred to another place. If it is damaged or lost, request another copy from the area technician. This product is intended for the use for which it has been expressly designed. The manufacturer is exempt from any liability, contractual and extracontractual, for injury/damage caused to persons/animals and objects, due to installation, adjustment and maintenance errors and improper use.

Installation must be performed by qualified staff, which assumes complete responsibility for the definitive installation and consequent good functioning of the product installed. One must also bear in mind all laws and national, regional, provincial and town council Standards present in the country in which the appliance has been installed, as well as the instructions contained in this manual.

The use of the appliance must comply with all local, regional, national and European regulations.

The Manufacturer cannot be held responsible for the failure to comply with such precautions.

After removing the packaging, ensure that the content is intact and complete. Otherwise, contact the dealer where the appliance was purchased. All electric components that make up the product must be replaced with original spare parts exclusively by an authorised after-sales centre, thus guaranteeing correct functioning.

SAFETY

♦ THE APPLIANCE MAY BE USED BY CHILDREN 8 YEARS OF AGE OR OLDER AND INDIVIDUALS WITH REDUCED PHYSICAL, SENSORY, OR MENTAL CAPACITIES OR WITHOUT EXPERIENCE OR THE NECESSARY KNOWLEDGE, PROVIDED THAT THEY ARE SUPERVISED OR HAVE

RECEIVED INSTRUCTIONS ON SAFE USE OF THE APPLIANCE AND THAT THEY UNDERSTAND THE INHERENT DANGERS.

- ◆ THE GENERATOR MUST NOT BE USED BY PERSONS (INCLUDING CHILDREN) WITH REDUCED PHYSICAL, SENSORY AND MENTAL CAPACITIES OR WHO ARE UNSKILLED PERSONS, UNLESS THEY ARE SUPERVISED AND TRAINED REGARDING USE OF THE APPLIANCE BY A PERSON RESPONSIBLE FOR THEIR SAFETY.
- ◆ THE CLEANING AND MAINTENANCE REQUIRED BY THE USER MUST NOT BE PERFORMED BY CHILDREN WITHOUT SUPERVISION.
- ◆ CHILDREN MUST BE CHECKED TO ENSURE THAT THEY DO NOT PLAY WITH THE APPLIANCE.
- ◆ DO NOT TOUCH THE GENERATOR WHEN YOU ARE BAREFOOT OR WHEN PARTS OF THE BODY ARE WET OR DAMP.
- ◆ IT IS FORBIDDEN TO MODIFY THE APPLIANCE IN ANY WAY.
- ◆ DO NOT PULL, REMOVE, TWIST THE ELECTRICAL CABLES COMING OUT OF THE PRODUCT EVEN IF IT IS DISCONNECTED FROM THE MAINS.
- ◆ IT IS ADVISED TO POSITION THE POWER SUPPLY CABLE SO THAT IT DOES NOT COME INTO CONTACT WITH HOT PARTS OF THE APPLIANCE.
- ◆ THE POWER SUPPLY PLUG MUST BE ACCESSIBLE AFTER INSTALLATION.
- ◆ DO NOT CLOSE OR REDUCE THE DIMENSIONS OF THE AIRING VENTS IN THE PLACE OF INSTALLATION. THE AIRING VENTS ARE ESSENTIAL FOR CORRECT COMBUSTION.
- ◆ DO NOT LEAVE THE PACKAGING ELEMENTS WITHIN REACH OF CHILDREN OR UNASSISTED DISABLED PERSONS.
- ◆ THE HEARTH DOOR MUST ALWAYS BE CLOSED DURING NORMAL FUNCTIONING OF THE PRODUCT.
- ◆ WHEN THE APPLIANCE IS FUNCTIONING AND HOT TO THE TOUCH, ESPECIALLY ALL EXTERNAL SURFACES, ATTENTION MUST BE PAID
- ◆ CHECK FOR THE PRESENCE OF ANY OBSTRUCTIONS BEFORE SWITCHING THE APPLIANCE ON FOLLOWING A PROLONGED PERIOD OF INACTIVITY.
- ◆ THE GENERATOR HAS BEEN DESIGNED TO ADJUST ITSELF AUTOMATICALLY IN PARTICULAR OPERATING CONDITIONS
- ◆ THE GENERATOR HAS BEEN DESIGNED TO FUNCTION IN ANY CLIMATIC CONDITION. IN PARTICULARLY ADVERSE CONDITIONS

(STRONG WIND, FREEZING) SAFETY SYSTEMS MAY INTERVENE THAT SWITCH THE GENERATOR OFF. IF THIS OCCURS, CONTACT THE TECHNICAL AFTER-SALES SERVICE AND ALWAYS DISABLE THE SAFETY SYSTEMS.

♦ **IN THE EVENT THE FLUE CATCHES FIRE, USE SUITABLE SYSTEMS FOR SUFFOCATING THE FLAMES OR REQUEST HELP FROM THE FIRE BRIGADE.**

♦ **THIS APPLIANCE MUST NOT BE USED TO BURN WASTE**

♦ **DO NOT USE ANY FLAMMABLE LIQUIDS FOR IGNITION**

♦ **DURING THE FILLING PHASE DO NOT PUT THE BAG OF PELLETS TO INTO CONTACT WITH THE PRODUCT**

♦ **THE MAJOLICAS ARE TOP QUALITY ARTISAN PRODUCTS AND AS SUCH CAN HAVE MICRO-DOTS, CRACKLES AND CHROMATIC IMPERFECTIONS. THESE FEATURES HIGHLIGHT THEIR VALUABLE NATURE. DUE TO THEIR DIFFERENT DILATION COEFFICIENT, THEY PRODUCE CRACKLING, WHICH DEMONSTRATE THEIR EFFECTIVE AUTHENTICITY. TO CLEAN THE MAJOLICAS, IT IS RECOMMENDED TO USE A SOFT, DRY CLOTH. IF A DETERGENT OR LIQUID IS USED, THE LATTER COULD PENETRATE INSIDE THE CRACKLES, HIGHLIGHTING THEM.**

♦ **SINCE THE PRODUCT CAN TURN ON AUTOMATICALLY THANKS TO THE TIMER, OR REMOTELY USING THE DEDICATED APPLICATIONS, IT IS STRICTLY FORBIDDEN TO LEAVE ANY COMBUSTIBLE OBJECT WITHIN THE SAFETY DISTANCES INDICATED ON THE TECHNICAL DATA PLATE.**

♦ **INTERNAL COMBUSTION CHAMBER PARTS CAN BE SUBJECT TO EXTETICAL WARN, IT DOESN'T AFFECT THE FUNCTIONALITY**

ROUTINE MAINTENANCE

Based on Decree 22 January 2008 n°37 art.2, routine maintenance means interventions aimed at reducing degradation due to normal use, as well as dealing with accidental events entailing the need of first interventions, which however do not modify the structure of the system upon which one is intervening or its intended use according to the requirements laid down by the technical standards in force and by the manufacturer's use and maintenance manual.

INSTALLATION

GENERAL

The flue gas exhaust and hydraulic connections must be carried out by qualified personnel who must issue installation conformity documentation compliant with national standards.

The installer must provide the owner or person acting for him, according to the legislation in force, with the declaration of conformity, supplied with:

- 1) the use and maintenance manual of the appliance and of the system components (such as for example, the smoke ducts, chimney, etc.);
- 2) photocopy or photograph of the chimney plaque;
- 3) system booklet (where applicable).

The installer must ask to be issued with a receipt stating that the documentation has been provided, and must keep it with a copy of the technical documentation relating to the installation.

For installation in a condominium, prior approval from the condominium's administrator must be requested.

Where required, check the exhaust gas emissions after installation. Should a sampling point be installed, it must be airtight.

COMPATIBILITY

Do not install in rooms with a fire hazard. It is also forbidden to install it in living areas with the following characteristics:

1. where there are liquid fuel appliances with continuous or discontinuous operation that draw the combustion air into the room in which they are installed.
2. where there are type B gas appliances intended for heating, with or without domestic hot water production and in adjacent and communicating rooms.
3. where the depression measured in situ between the external and internal environment is greater than 4 Pa.

N.B.: Watertight appliances can also be installed in the cases indicated in points 1, 2 and 3 of this paragraph.

INSTALLATIONS IN BATHROOMS, BEDROOMS AND STUDIO FLATS

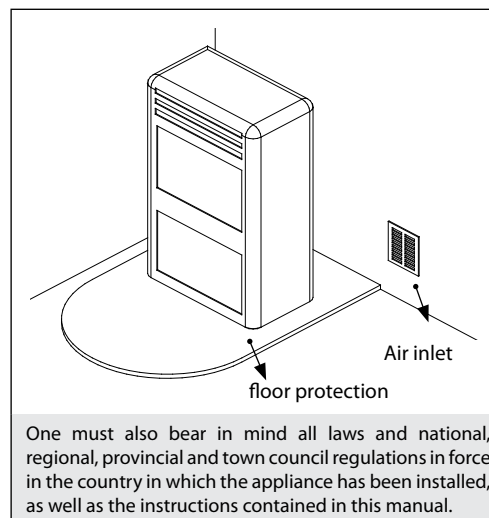
Installation in bathrooms, bedrooms and studio flats is only allowed for sealed or closed hearth appliances with ducted combustion air taken from the outside.

POSITIONING AND SAFETY DISTANCES

The support surfaces and/or points must have a suitable capacity to bear the overall weight of the appliance, accessories and coverings. If the floor is made of a combustible material, we recommend using a non-combustible material to protect the front part from any burnt material which might fall during routine cleaning operations. The generator must be level to function properly. The side walls, the rear walls and the floor support surface should be made of non-combustible material.

MINIMUM DISTANCES (PELLET STOVES)

Installation next to flammable or heat-sensitive materials is permitted **only if the special safety distances specified on the label at the beginning of the manual (pag.2) are observed**. If the materials are not flammable, you must keep a side and rear distance of at least 100 mm (without the inserts). For products equipped with rear spacers, wall-mounting installation is permitted exclusively for the rear side.



PREPARATIONS FOR MAINTENANCE

To carry out extraordinary maintenance operations on the product, it may be necessary to move it away from the adjacent walls. This must be done by a technician authorised to disconnect the combustion product evacuation ducts and then reconnect them. For heaters connected to the hydraulic system, the connection between the system itself and the product must be made in such a way that, when an authorised technician is about to carry out extraordinary maintenance operations, it is possible to move the heater at least 1 metre away from the adjacent walls.

INSTALLING INSERTS

When installing inserts, access must be prevented to the internal parts of the appliance and it must not be possible to access live parts during extraction operations.

Any wiring, for example the power cable or room probe, must be positioned so as not to be damaged during movement of the insert and must not come into contact with hot parts. If a cavity made of combustible material is installed, we recommend taking all the safety precautions indicated by the installation standards.

VENTILATION AND AERATION OF INSTALLATION ROOMS

In case of non-airtight heater and/or installation, the ventilation must respect the minimum area indicated below (considering the highest value among those provided):

Appliance categories	Reference standard	Percentage of the net opening section with respect to the appliance fumes outlet section	Minimum net opening value of the ventilation duct
Pellet stoves	UNI EN 14785	-	80 cm ²
Boilers	UNI EN 303-5	50%	100 cm ²

Under any condition, including in the presence of extractor hoods and/or of controlled forced ventilation systems, the pressure difference between the generator installation rooms and the outside must always be equal to or less than 4 Pa.

In the presence of type B gas appliances with intermittent operation not intended for heating, they must have their own aeration and/or ventilation opening.

The air inlets must meet the following requirements:

- ♦ they must be protected with grids, metal mesh, etc., but without reducing the net useful section;
- ♦ they must be made so as to make the maintenance operations possible;
- ♦ positioned so that they cannot be obstructed;

The clean and non-contaminated air flow can also be obtained from a room adjacent to that of installation (indirect aeration and ventilation), as long as the flow takes place freely through permanent openings communicating with the outside.

The adjacent room cannot be used as a garage, or to store combustible material or for any other activity with a fire hazard, bathroom, bedroom or common room of the building.

FLUE GAS EXHAUST

The heat generator works in depression and is equipped with an outlet fan for flue gas extraction. There must be a single exhaust system for the generator. Using a flue that is shared with other devices is not allowed.

The components of the flue gas exhaust system must be chosen in relation to the type of appliance to be installed in compliance with:

- ♦ UNI/TS 11278 in the event of metal chimneys, with particular attention to that stated in the specification;
- ♦ UNI EN 13063-1 and UNI EN 13063-2, UNI EN 1457, UNI EN 1806 in the event of non-metallic chimneys.
- ♦ The length of the horizontal section must be minimal and, in any case, no longer than 3 metres, with a minimum upward slope of 3%
- ♦ There must not be more than 4 direction changes including the one due to the use of the "T" element.
- ♦ A "T" fitting with a condensation collection cap must be provided at the base of the vertical section.
- ♦ If the exhaust is not inserted in an existing flue, a vertical section with a windproof end piece is required (UNI 10683).
- ♦ The vertical duct can be inside or outside the building. If the smoke duct is inserted in an existing flue, it must be certified for solid fuel.
- ♦ If the smoke duct is outside the building, it must always be insulated.
- ♦ The smoke ducts must have at least one airtight inlet for flue gas sampling.
- ♦ All the sections of the flue gas duct must be accessible to inspection.
- ♦ Inspection openings must be provided for cleaning.
- ♦ If the generator has a fume temperature lower than 160°C+ ambient temperature caused by the high yield (contact technicians) it MUST be resistant to humidity.
- ♦ A flue system that does not respect the previous points or, in general, that does not comply with the regulations, may cause condensation phenomena inside it.

CHIMNEY CAP

The chimney caps must meet the following requirements:

- ♦ they must have a useful outlet section no less than double that of the chimney/ducted system on which it is installed;
- ♦ they must be adapted in order to prevent the penetration of rain and snow in the chimney/ducted system;
- ♦ they must be built so that, in the event of winds coming from all directions and from any angle, the expulsion of combustion products is in any case ensured;

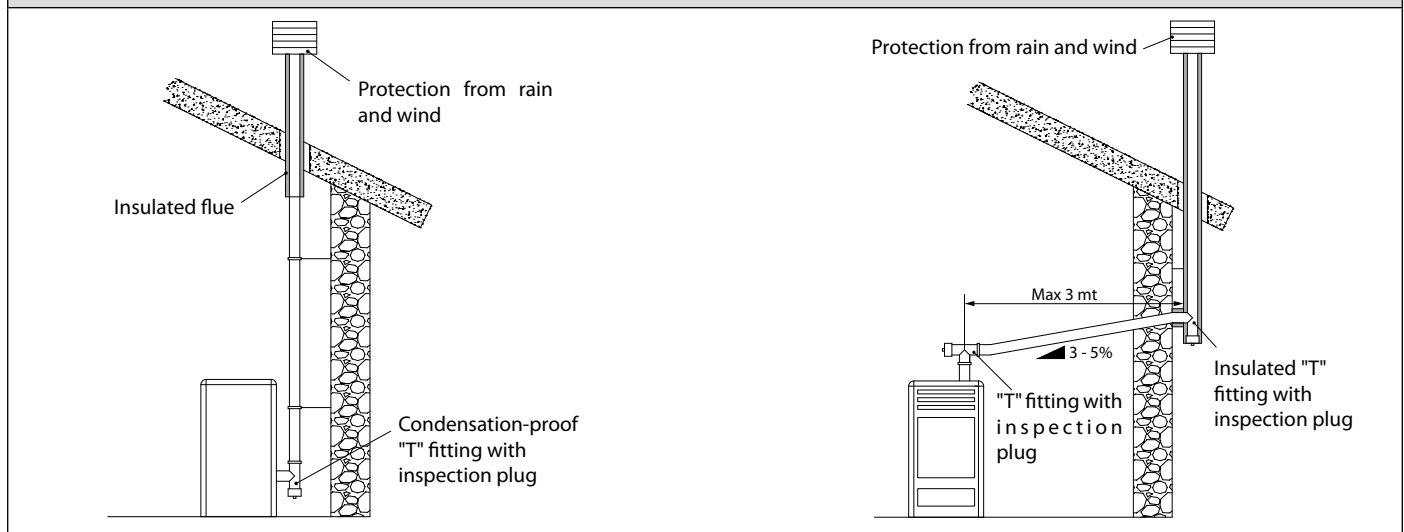
FOR GERMANY ONLY

The product can be connected to a shared flue (multi-connection) provided that the requirements of the regional and national regulations, amongst which DIN EN 13384-2, DIN V 18160-1, DIN 18896 and of the MFeuV-2007 (Muster-Feuerungsverordnung) are strictly complied with, and that the local chimney sweep has checked and approved the installation conditions.

Please also remember the following indications, which the end user must comply with:

- The device can be operated only with the doors closed.
- The doors and all setting devices must remain closed when the device is not on (except for cleaning and maintenance operations).

EXAMPLES OF CORRECT CONNECTION TO THE CHIMNEY



CONNECTION TO THE MAINS ELECTRIC SUPPLY

The generator is supplied with an electric power cable to be plugged into a 230V 50 Hz socket, possibly with a circuit breaker switch. The socket must be easily accessible.

The electrical system must be compliant with standards. The efficiency of the earthing circuit must be checked. Unsuitable earthing of the system can cause malfunctioning for which the manufacturer will not be held liable.

Power supply variations beyond 10% can cause faulty operation of the product.

HERMETICALLY SEALED INSTALLATION

The generator is a fully sealed product with respect to the environment in which it is installed. This means that it is ideal for passive houses because it does not take air in from within the house.

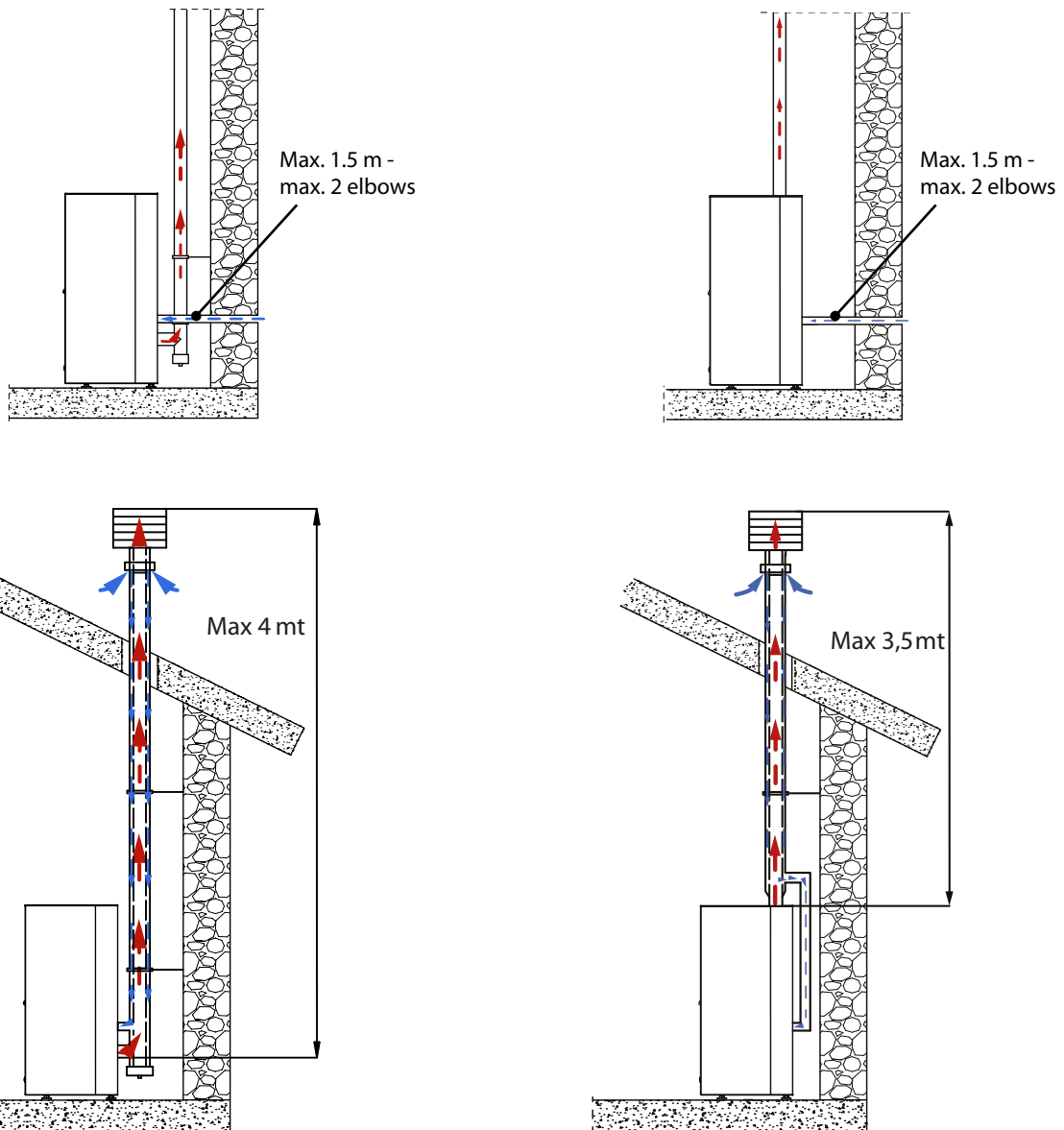
COMBUSTION AIR

To ensure the stove remains hermetically sealed, the connection pipe for the combustion air must be directly connected to the exterior, using special pipes and sealed connectors.

FUMES EXHAUST SYSTEM

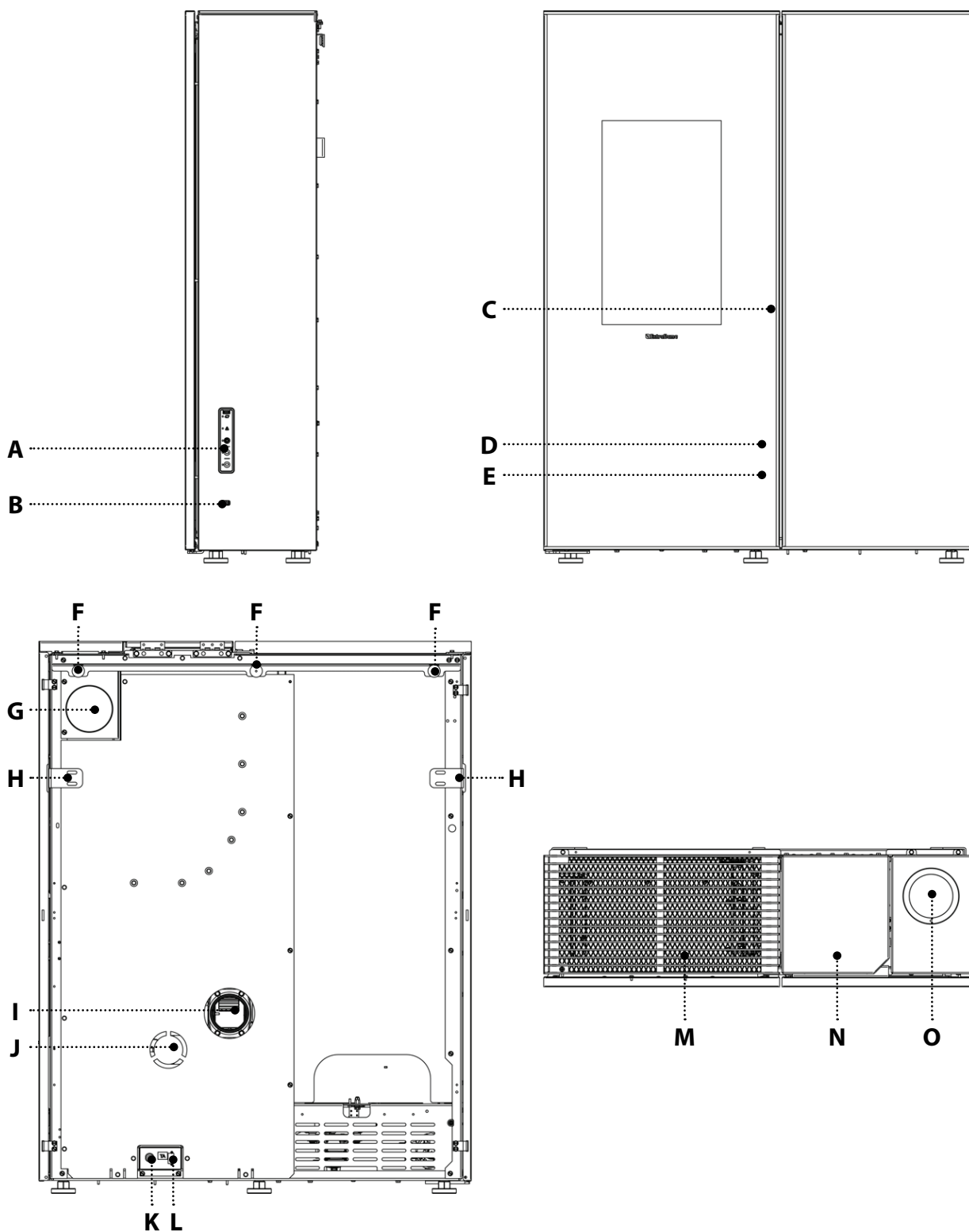
- If the generator has a fumes temperature of less than 160°C+ room temperature due to the high performance (refer to technical data), the fumes exhaust system must be completely waterproof.
- If there is a possibility that fumes may condense, an external inspection hatch must be fitted.

INSTALLATION EXAMPLE



One must also bear in mind all laws and national, regional, provincial and town council regulations in force in the country in which the appliance has been installed, as well as the instructions contained in this manual.

DETAILS OF SHARON PLUS



A	Radio/emergency board	I	Rear ducting
B	Serial input	J	Combustion air inlet
C	Access to combustion chamber and ash drawer	K	230 V power supply
D	FUSE	L	Additional thermostat input (TA)
E	On/Off	M	Room air outlet
F	Spacer	N	Pellet hopper pressurised closure
G	Rear flue gas outlet	O	Upper fumes exhaust
H	Wall mount bracket		

STOVE POSITIONING

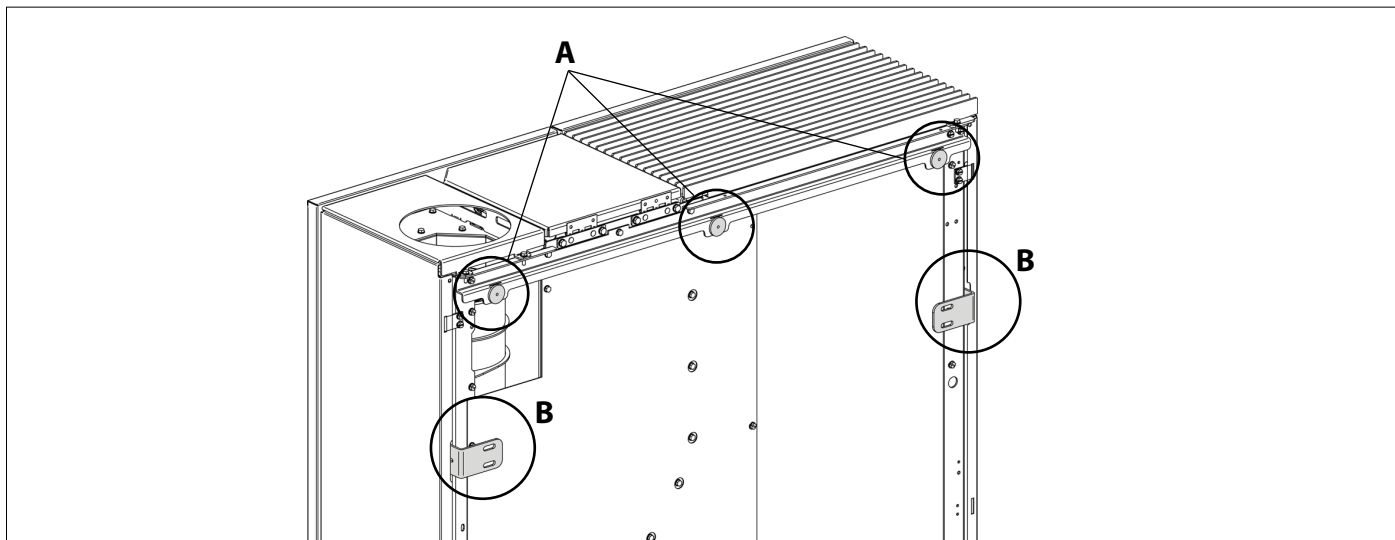
To ensure the stove works correctly, it should always be positioned so that it is perfectly level, using a spirit level.

MANDATORY WALL MOUNT

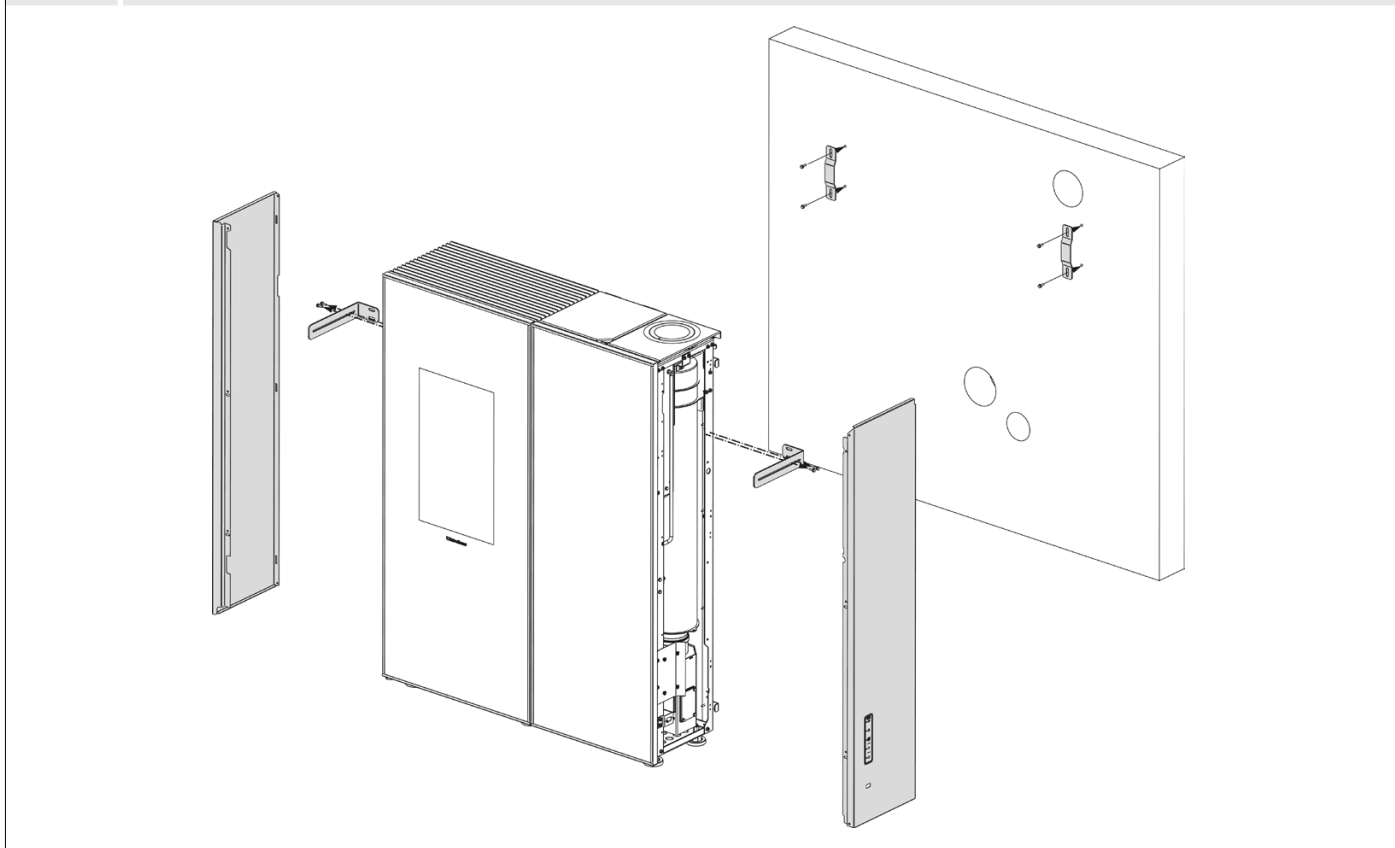
On the back of the machine, there are spacers (A) which determine the minimum distance to maintain from any rear support. The spacers must not be removed.

The generator must be fastened to the wall using the brackets (B) supplied.

The brackets allow for an excursion to leave a gap from the generator based on requirements. Wall plugs must be used that are suited to the type of wall on which the appliance is fixed.



THE BOOKLET ATTACHED SHOULD BE READ FOR INFORMATION ON THE INSTALLATION.



COMBUSTION AIR

The generator has an inlet for drawing combustion air directly from the room or from outside the building.

FLUE GAS OUTLET

The flue gas outlet is mounted on the top of the generator in the factory.

The flue gas outlet can be moved to the rear by following the instructions in the chapter "REAR FLUE GAS OUTLET ASSEMBLY"



THE CONVERSION OF THE UPPER FLUE GAS OUTLET MUST BE CARRIED OUT BY QUALIFIED PERSONNEL AND/OR THE MANUFACTURER'S TECHNICIANS

HOT AIR DUCTING

The machine leaves the factory with the ducting disabled.

The qualified technician is responsible for enabling it (using code 44 on the technical menu screen) only after installing the ducting pipes.

The pipe used for ducting the hot air must have an internal diameter of 80 mm and it must also be insulated or at least be protected against heat dispersion.

AIR DUCTING FEATURES

♦ rear outlet	♦ possibility to thermostat the ducting
♦ diameter of air ducting outlet: 80 mm	♦ 3 possible settings: OFF, COMFORT, AUTO.
♦ maximum recommended air ducting length 8 m	



THE RELEVANT HOT AIR DUCTING PIPE MUST BE INSTALLED BY QUALIFIED PERSONNEL AND/OR BY THE MANUFACTURER'S TECHNICIANS

ADDITIONAL THERMOSTAT TO CONTROL THE DUCT MOTOR

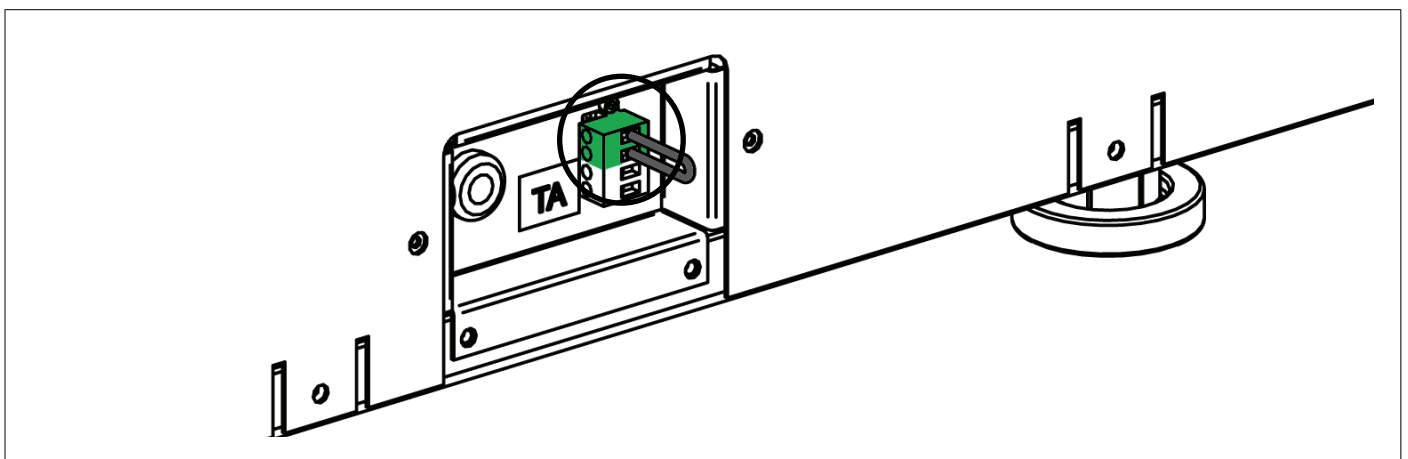
For models with duct motor, it is also possible to thermostat the motor itself. The connection to an external thermostat will allow for the duct motor to be controlled regardless of stove operation.

At this point, simply set the desired temperature on the thermostat; the thermostat will command the operation of the second motor:

- ♦ at the set temperature (contact closed), the air ducting motor will follow the stove settings.

The duct thermostat terminal features a standard bridge.

See the example image.



OPERATION IN AIR DUCTING WITH THERMOSTAT OR PROBE (OPTIONAL)

The stove is fitted with an independent motor for ducting. The connection of an external thermostat or temperature probe (NTC 10K) in the input, located in the rear part of the stove, makes it possible to control the air ducting motor independently of the stove. Suffice it to connect the thermostat/temperature probe and set the desired temperature.

For information on air ducting settings see chapter: "MENU - AIR DUCTING"

WITH AMBIENT THERMOSTAT (OPTIONAL)

Remove the jumper and connect the ambient thermostat in the room that needs to be temperature-controlled through air ducting 1.

3 control modes:

OPERATION IN AIR DUCTING WITH AMBIENT THERMOSTAT (OPTIONAL)	
SET configured to OFF (the temperature setting is not visible)	The air ducting motor will remain off unless the fumes temperature exceeds the normal operating temperatures
SET configured to AUTO (the temperature setting is not visible)	Once the specific activation threshold has been reached and exceeded, at temperature to be satisfied (CLOSED CONTACT) the air ducting motor will follow the stove settings. When the temperature set on the thermostat is reached (OPEN CONTACT), the air ducting motor will switch OFF and switch on again when there is a new request.
SET configured to COMFORT (the temperature setting is not visible)	Once the specific activation threshold has been reached and exceeded, at temperature to be satisfied (CLOSED CONTACT) the air ducting motor will follow the stove settings but at a lower speed than in SET AUTO for increased acoustic/ambient comfort. When the temperature set on the thermostat is reached (OPEN CONTACT), the ducting motor will switch off and switch on again when there is a new request.

WITH PROBE (NTC 10K)

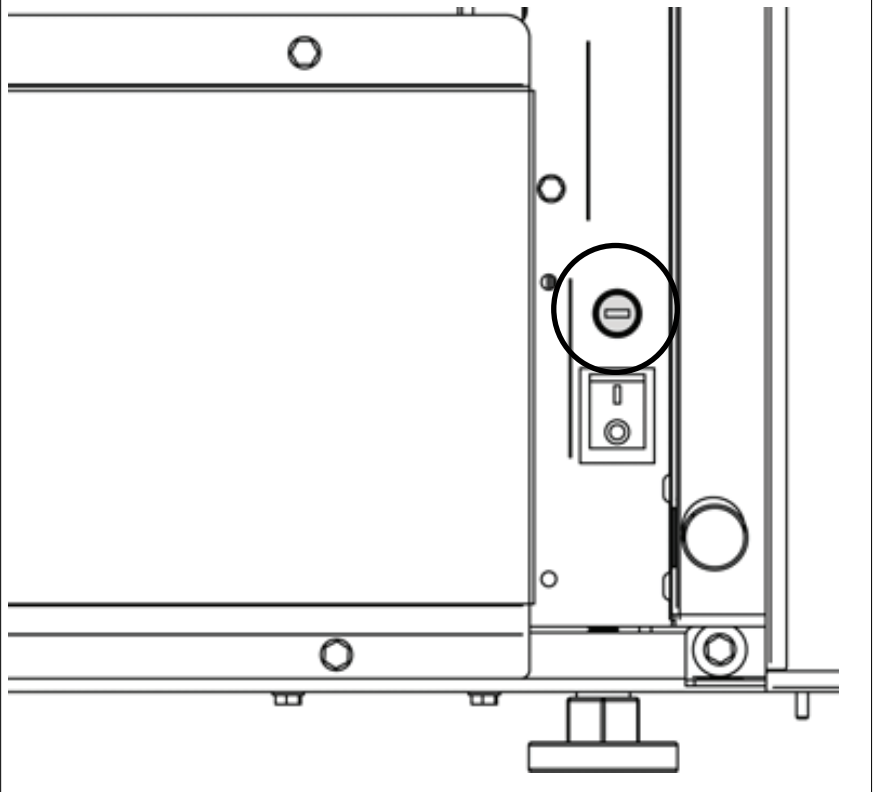
Remove the jumper and connect the NTC probe in the room that needs to be temperature-controlled through air ducting.

3 control modes:

OPERATION IN AIR DUCTING WITH NTC PROBE 10KΩ (OPTIONAL)	
SET configured to OFF Set the desired temperature (from 7 to 37 °C)	The air ducting motor will remain off unless the fumes temperature exceeds the normal operating temperatures
SET configured to AUTO Set the desired temperature (from 7 to 37 °C)	Once the specific activation threshold has been reached and exceeded, at temperature to be satisfied the air ducting motor will follow the stove settings. When the temperature set in TEMPERATURE is reached, the air ducting motor will switch OFF and switch on again when there is a new request.
SET configured to COMFORT Set the desired temperature (from 7 to 37 °C)	Once the specific activation threshold has been reached and exceeded, at temperature to be satisfied the air ducting motor will follow the stove settings but at a lower speed than in SET AUTO for increased acoustic/ambient comfort. When the temperature set in TEMPERATURE is reached, the air ducting motor will switch off and switch on again when there is a new request.

FUSE

If the stove is not powered, have the condition of the fuse checked by a qualified technician.



NOTES FOR CORRECT OPERATION

The following indications must be respected for correct pellet stove operation:

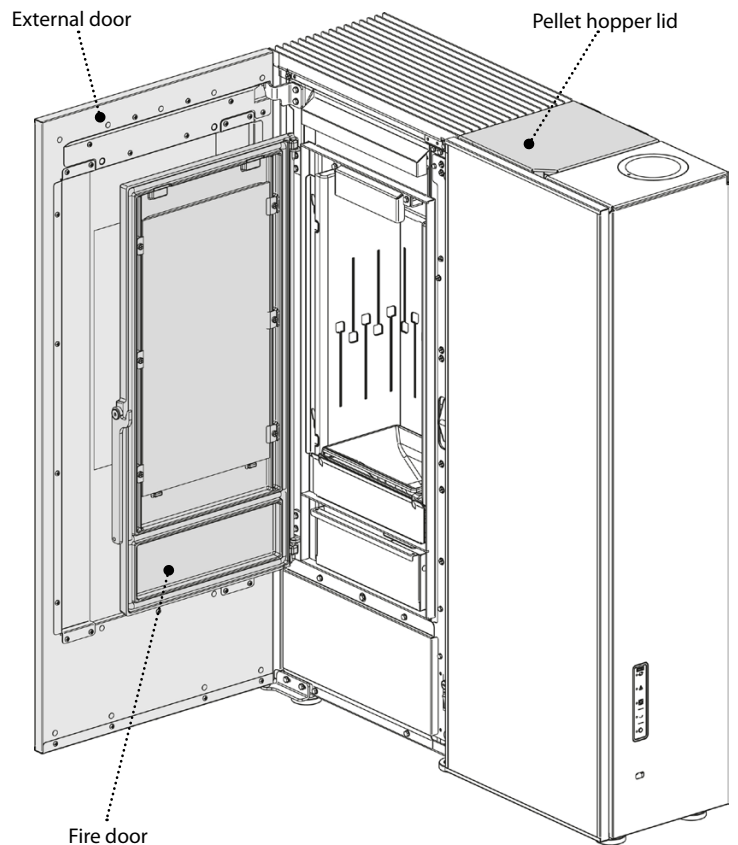
Both during stove operation and when it is not used, all hatches (pellet hopper, door, ash drawer) must remain closed at all times. They can be opened only for the time required to load the fuel and for maintenance.

Failure to comply with the above during operation will cause the display to show the following:

"CLOSE HOPPER - STOVE DOOR"

This indication means that you have 60 seconds to close the hatch/door and the pellet lid.

After the 60 seconds, during ignition the stove will go into "DEPR ALARM" mode, while during normal operation the stove will go into "COOLING WAITING TIME" mode before automatically resuming operation once the conditions are satisfied (cold stove, etc.).



DURING OPERATION, THE EXTERNAL DOOR MUST ALWAYS BE CLOSED!

PELLETS AND LOADING

Pellets are made by subjecting wood shavings i.e. the rejects of pure unpainted wood from sawmills, carpentry products and products from other activities connected to wood working and transformation, to very high pressures.

This type of fuel is fully ecological as no glues are used for its compaction. In fact, pellet compactness is guaranteed over time by a natural substance found in wood: lignite.

In addition to being an ecological fuel, making best use of wood residue, pellets also have a series of technical advantages.

While wood has a calorific value of 4.4 kWh/kg (with 15% moisture, therefore after approximately 18 months of curing), that of pellets is 5 kWh/kg.

Pellet density is about 650 kg/m³ and water content is equal to 8% of its weight. For this reason pellets do not need to be cured to obtain a sufficient heat yield.

The pellets used must be class **A1** certified according to standard **ISO 17225-2 (ENplus-A1, DIN Plus or NF 444** of the following category: "High quality NF biocombustible wood pellets").

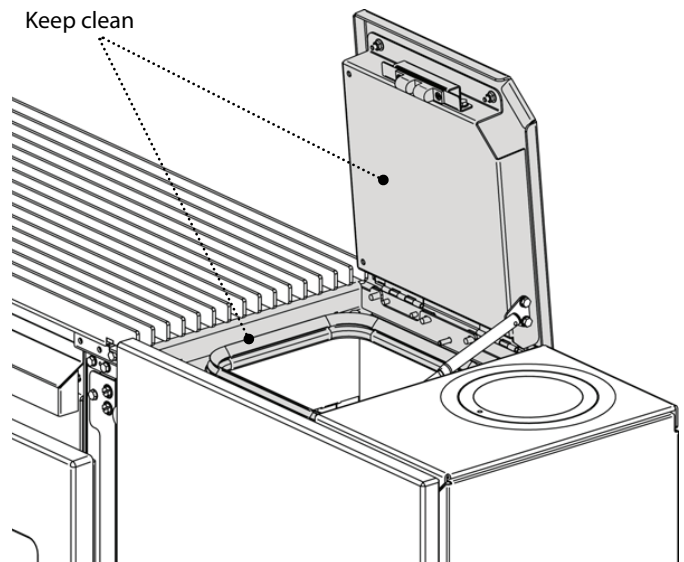
UNI EN 303-5 with the following characteristics: water content ≤ 12%, ash content ≤ 0.5% and lower calorific value >17 MJ/kg (in the case of boilers).

The Manufacturer recommends using pellets with a diameter of 6mm with its products.

PELLET STORAGE

To guarantee combustion without problems, the pellets must be kept in a dry place.

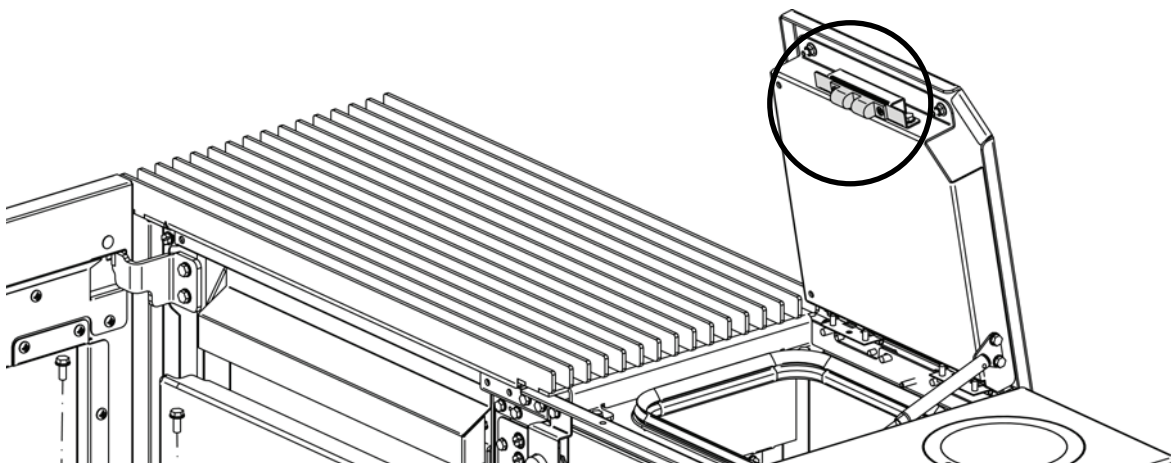
Open the tank lid and load the pellets using a scoop.



THE USE OF POOR QUALITY PELLETS OR ANY OTHER MATERIAL WILL COMPROMISE STOVE FUNCTIONS, VOIDING THE WARRANTY AND RELEASING THE MANUFACTURER OF LIABILITY.

PELLET HOPPER - PRESSURISED CLOSURE.

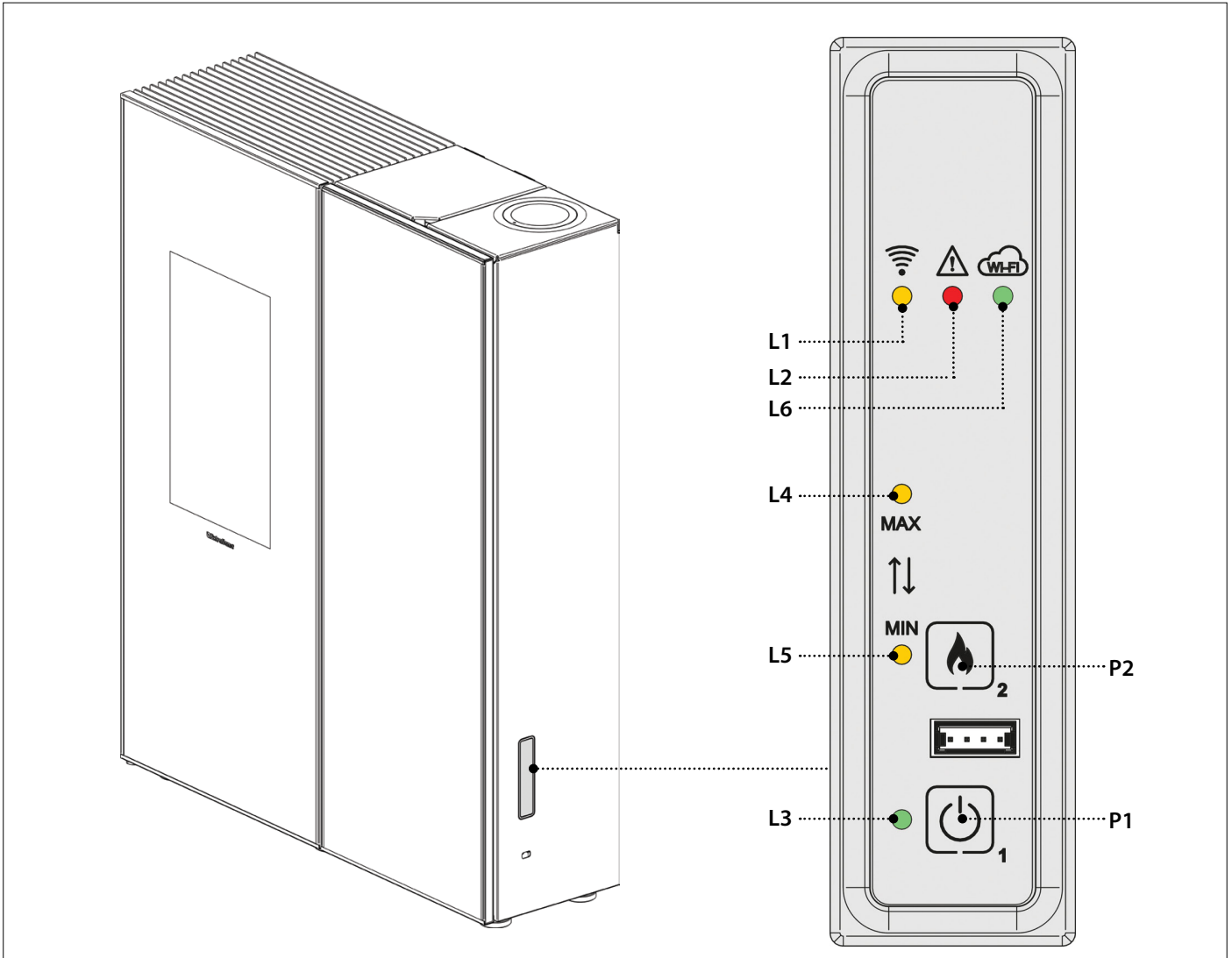
During stove operation, the pellet hopper lid must always be closed.




DO NOT PLACE THE BAG DIRECTLY ON THE STOVE TO LOAD THE TANK. ALWAYS USE A SCOOP TO LOAD THE TANK. DO NOT RUB OR PLACE WEIGHTS ON THE TANK SEAL. KEEP THE TANK COVER SEAL SUPPORTING SURFACE CLEAN AT ALL TIMES. CHECK THE CONDITIONS OF THE SEAL FREQUENTLY. IF DAMAGED, CONTACT YOUR LOCAL AUTHORISED TECHNICIAN.

RADIO/EMERGENCY CARD

The stove is fitted with an emergency radio card which allows for basic control of the stove in the event of a fault or if the remote control is malfunctioning.







The functions that can be managed from the emergency card are:

P1	On/Off stove.
P2	Power setting. The power increases or decreases when pressed continuously.
	-

L1: Yellow LED	LED off: radio communication not available. LED on: radio communication available.	L4: Yellow LED	LED on: 5^ power set (by the user).
L2: Red LED	LED off: normal operation. LED on: alarm present.	L5: Yellow LED	LED on: 1^ power set (by the user).
L3: Green LED	LED off: stove off. LED on: stove on. LED flashing: stove cleaning cycle under way, alarm, stand by/cooling waiting/or blackout stand by.	L6: Green LED	LED for WI-FI control: See WI-FI chapter

RADIO CONTROL CONFIGURATION

RADIO CONTROL DEVICE CODING PROCEDURE:

1. Disconnect the power supply to the stove.
2. Press the keys  and **OK** at the same time until the *UNIT* selection screen appears.
3. Using keys  and  select the new *UNIT*.
4. Power the stove. Within 10 seconds (the LED on the emergency module will flash) confirm the selected unit by pressing **OK** on the radio control device.
5. The LED on the emergency module will remain on for 5 seconds to confirm the new configuration.
6. If the configuration was not successful, "" will appear on the display. In this case, repeat the procedure.






THE RADIO CONTROL DEVICE IS ALREADY CONFIGURED WITH "UNIT 0". IF THERE IS ANOTHER STOVE, TO AVOID INTERFERENCES, A NEW CONFIGURATION MUST BE PERFORMED, MODIFYING ONE OF THE TWO STOVES.



SOME RADIO FREQUENCY DEVICES (E.G. MOBILE PHONES, ETC.) MAY CAUSE INTERFERENCE WITH COMMUNICATION BETWEEN THE RADIO CONTROL DEVICE AND THE STOVE.

RADIO CONTROL DEVICE ROOM PROBE CALIBRATION

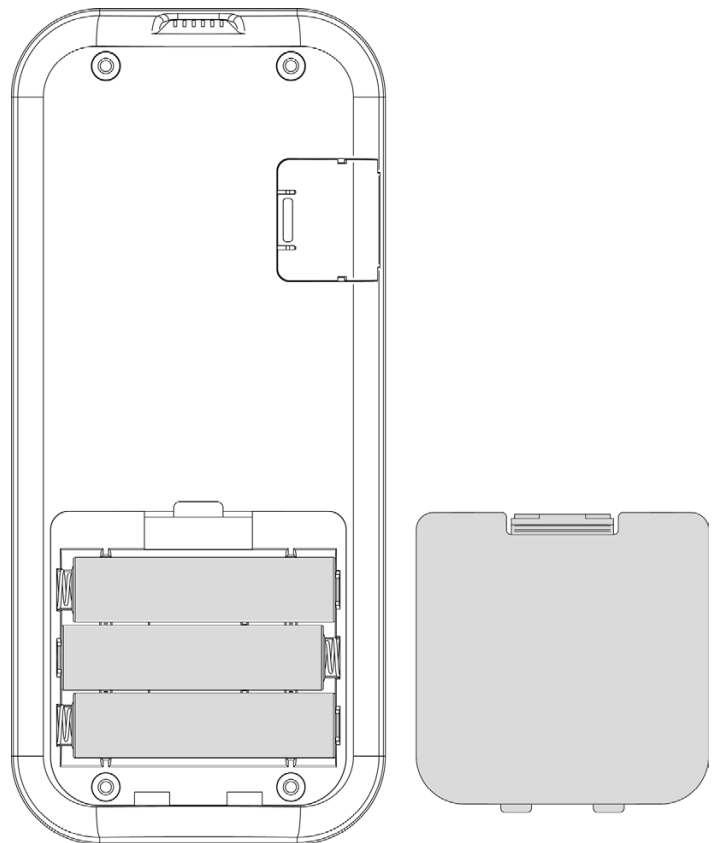
This mode allows calibration of the room temperature detected by the radio control device (with ventilation active only). For correct calibration, it is recommended to position the radio control in a room with constant temperature and wait for at least two hours. Below find the calibration procedure:

- ♦ Access the menu and reach "TECH MENU".
- ♦ Set the access key "F4". - "ADJ REMOTE PROBE"
- ♦ Using the keys  or  adjust the desired room calibration.
- ♦ Save and exit with the key .

BATTERY TYPE AND REPLACEMENT

To insert/replace the batteries, simply remove the battery protection cover at the back of the radio control device (figure 1). Insert the batteries according to the symbols imprinted on the radio control device and on the battery itself.

3 AAA batteries are required for the radio control device to function.



(figure 1)



Respect the environment!

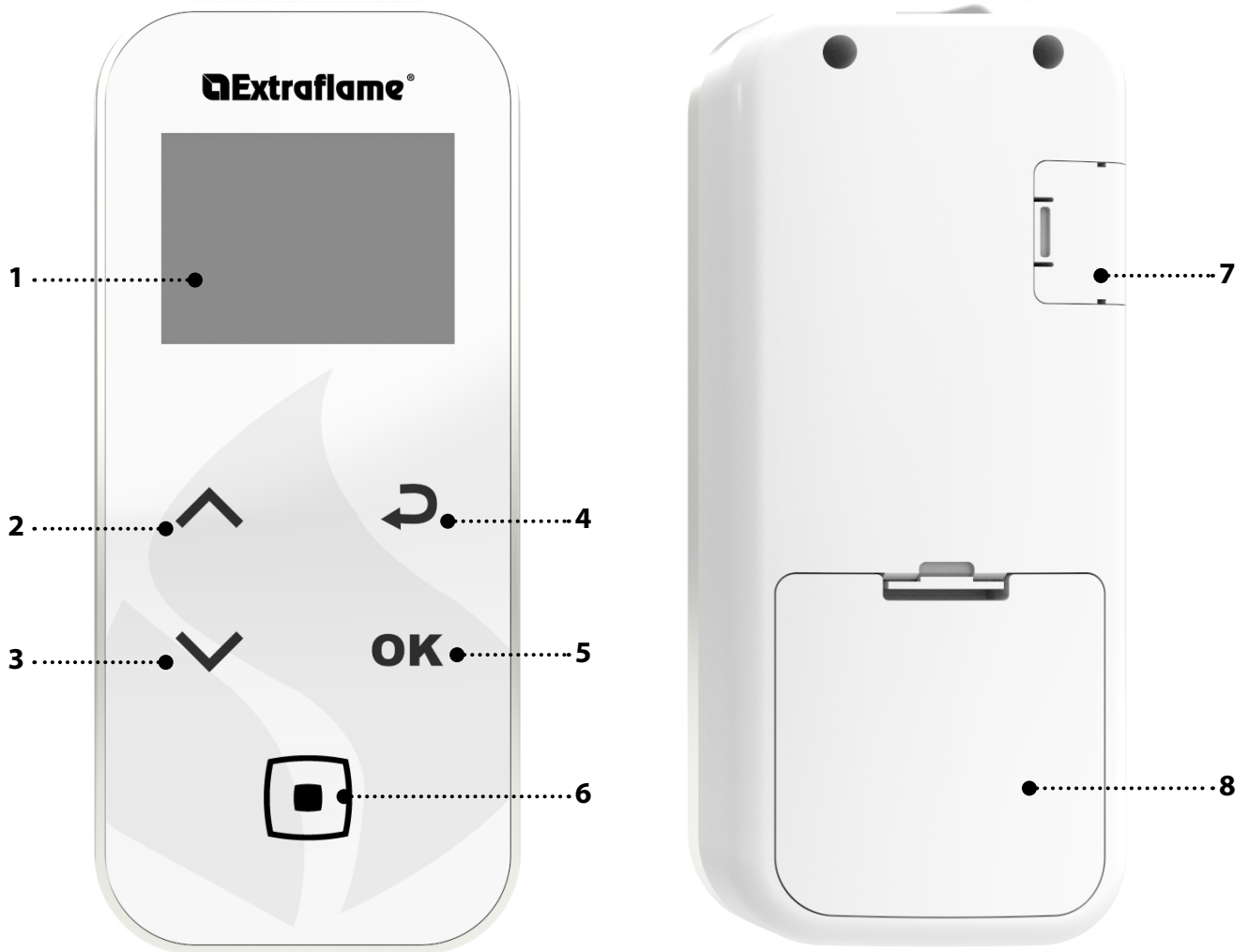
Used batteries contain metals that are harmful to the environment, and therefore must be disposed of separately in special containers.

RADIO CONTROL DEVICE FEATURES

- ♦ The radio control device is fitted with an LCD backlit display. The display remains lit for 5 seconds. After a certain period of time, in order to minimise battery consumption, the display turns off (sleep mode).
- ♦ It turns back on after pressing the ON/OFF key (6).

CAUTION!

- ♦ Do not place the radio control device in direct or indirect contact with water. The radio control device may not work properly in the presence of humidity or if exposed to water.

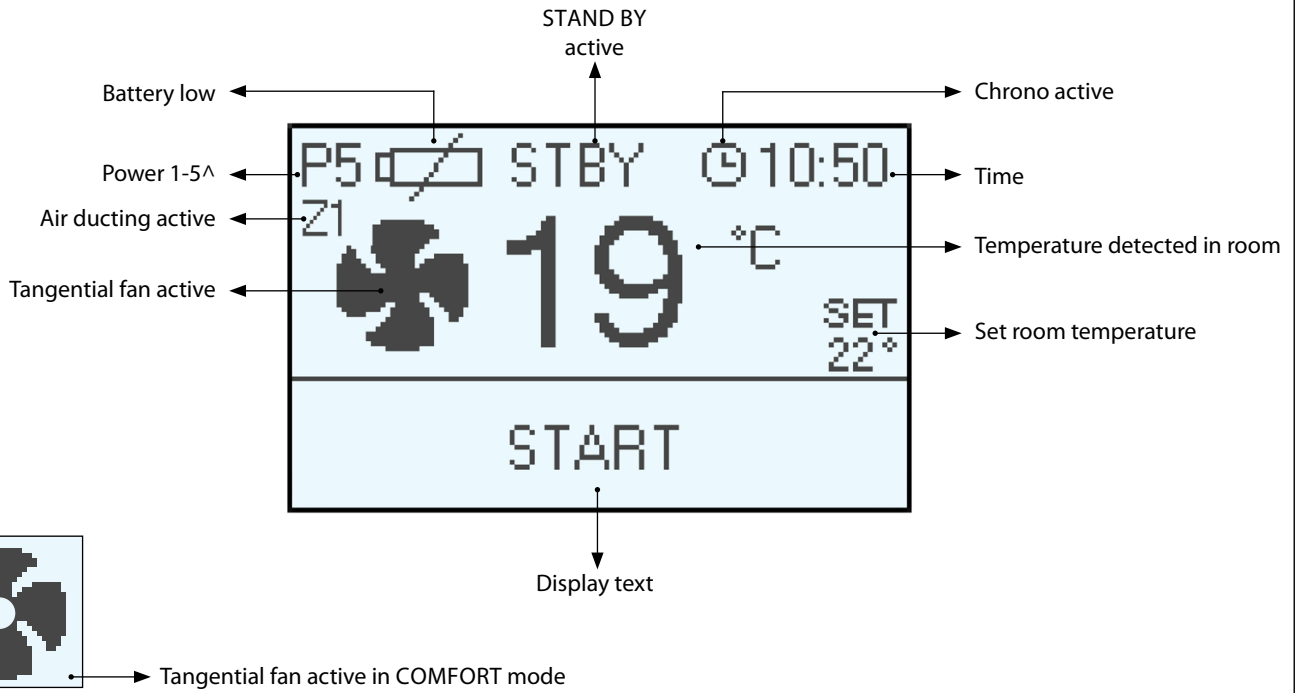


1.	DISPLAY
2.	SET POWER/ scroll through menus / increase - select a setting
3.	SET THERMOSTAT room/ scroll through menus / decrease - deselect a setting
4.	Back key
5.	Key to access MENU and CONFIRM
6.	ON/OFF stove or restore from sleep mode.
7.	Serial cable input
8.	Battery compartment

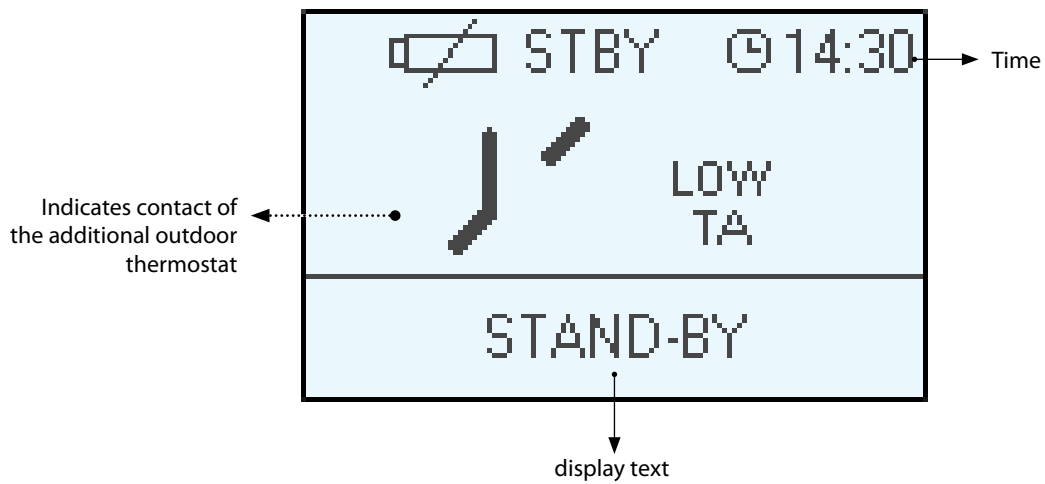
FREQUENCY BANDS	MAXIMUM POWER TRANSMITTED
868.3 MHz	4 mW ERP
869.85 MHz	4 mW ERP

DISPLAY



SCREEN IN OPERATION




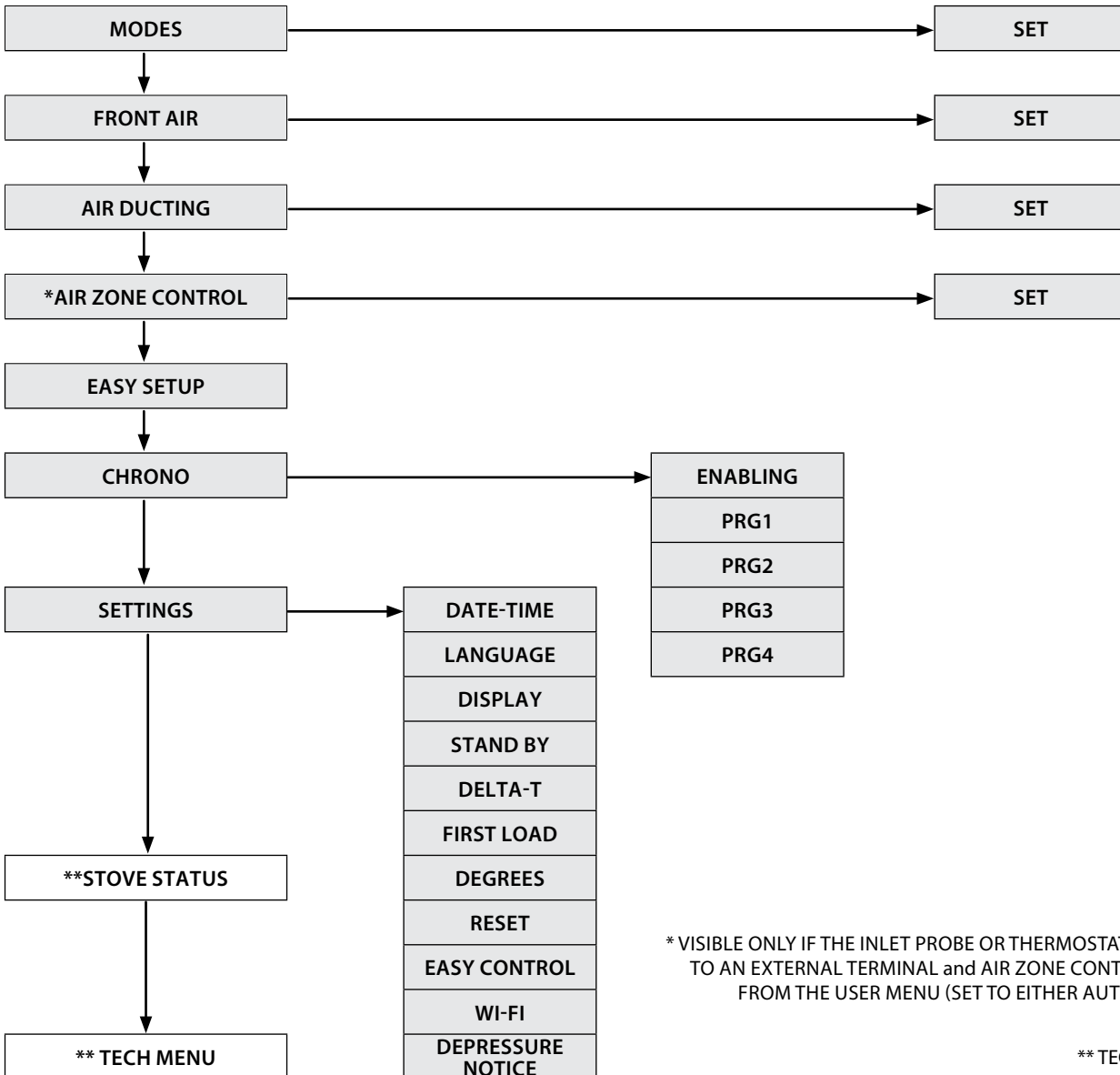
SCREEN WITH EXTERNAL THERMOSTAT CONNECTED TO THE TERMINAL "TA"



GENERAL MENU

KEY	FUNCTION
	Scroll through parameters Modify settings
	Ignition - switch-off key

KEY	FUNCTION
	Back - exit key
OK	Access menu key



* VISIBLE ONLY IF THE INLET PROBE OR THERMOSTAT IS CONNECTED TO AN EXTERNAL TERMINAL and AIR ZONE CONTROL IS ENABLED FROM THE USER MENU (SET TO EITHER AUTO OR COMFORT)

** TECHNICIANS ONLY

GENERAL WARNINGS

Advice to follow for the first start-ups of the product:

During the first hours of operation, there may be some smoke or odours, but they are due to the normal "thermal break-in" process. During this process, the duration of which changes depending on the product, it is recommended to:

- Ventilate the room well
- If present, remove any majolica or natural stone parts from the top part of the product.
- Activate the product at the maximum power and temperature
- Avoid remaining in the room for a long time
- Do not touch the surfaces of the product

Notes:

The process is completed after a few heating/cooling cycles. For combustion, do not use elements or substances other than those indicated in the manual.

Before turning on the product, it is necessary to perform the following checks:

- If it is intended to be connected to a hydraulic system, it must be complete and fully functional and in compliance with the instructions given in the product manual and with the relevant regulations in force.
- The pellet hopper must be fully loaded
- The combustion chamber and the burn pot must be clean
- Make sure that the fire holder, the ash drawer and the pellet hopper close hermetically (if present in the hermetic version); they must be closed and there must be no foreign bodies in the sealing elements and gaskets.
- Check that the power cord is properly connected
- The bipolar switch (if present) must be set to position "1".

FIRST IGNITION SETTINGS

Once the power cable at the back of the generator has been connected, move the switch to (I).

This switch powers the generator board.

The generator remains off and an initial screen appears on the panel, displaying OFF .

DATE-TIME

This menu allows the date and time to be set.

To set: OK > *SETTINGS* > *DATE-TIME*

LANGUAGE

This menu allows the preferred language to be selected.

To set: OK > *SETTINGS* > *LANGUAGE*

The languages available are: The languages available are: Italian - English - German - French - Spanish - Portuguese - Danish - Estonian - Croatian - Slovenian - Dutch - Polish - Czech.

DEGREES

This menu allows you to set the desired unit of measurement.

To set: OK > *SETTINGS* > *DEGREES*



**DO NOT USE ANY TYPE OF FLAMMABLE LIQUIDS FOR IGNITION!
DO NOT ALLOW THE BAG OF PELLETS TO COME INTO CONTACT WITH THE BOILING HOT STOVE DURING THE FILLING PHASE!
IN THE EVENT OF CONTINUED FAILURE TO LIGHT, CONTACT AN AUTHORISED TECHNICIAN.**



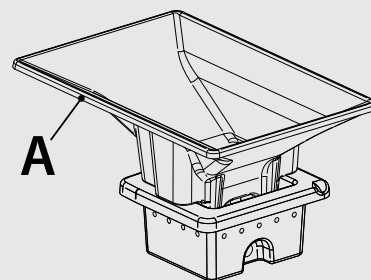
NO IGNITION

**THE APPLIANCE MAY FAIL TO LIGHT BECAUSE THE AUGER IS EMPTY AND NOT ALWAYS ABLE TO LOAD THE BURN POT FAST ENOUGH WITH THE PELLETS NEEDED FOR NORMAL IGNITION.
IF THE PROBLEM OCCURS AFTER ONLY A FEW MONTHS OF OPERATION, CHECK THAT THE ROUTINE CLEANING DESCRIBED IN THE STOVE HANDBOOK HAS BEEN CARRIED OUT CORRECTLY**




IT IS FORBIDDEN TO USE THE APPLIANCE WITHOUT THE ASH CONVEYOR (A).

**REMOVAL WILL COMPROMISE THE SAFETY OF THE PRODUCT AND RESULT IN THE IMMEDIATE NULLIFICATION OF THE WARRANTY PERIOD.
IN THE EVENT OF WEAR OR DETERIORATION, ASK THE AFTER-SALES SERVICE TO REPLACE THE PART
(REPLACEMENT DOES NOT FALL WITHIN THE PRODUCT WARRANTY AS THE PART IS SUBJECT TO WEAR).**



OPERATION AND LOGIC

IGNITION

Once the previously listed points have been checked, press key  for three seconds to ignite the stove. During ignition, the stove will check for a flame for a period of 15 minutes. Once the control temperature has been reached, the stove interrupts the ignition phase and switches to PREPARATION.

PREPARATION

During the preparation phase, the stove stabilises combustion, increasing it progressively, to then start ventilation and switch to WORK

WORK

In the work phase, the stove switches to the SET POWER defined by the user, heating the room until SET THERMOSTAT is achieved. See next heading.

ADJUSTING SET THERMOSTAT

The SET room thermostat can be set using keys 2 and 3, from LOW-TA - 7°C - 37°C - HOT. If the value is between 07°C - 37°C, the stove checks the room temperature using a probe in the radio control device. Once the set temperature has been reached, the stove automatically reduces the power, guaranteeing best comfort and reducing pellet consumption: this process is called "modulation".

LOW-TA - HOT




If the SET THERMOSTAT is "LOW-TA" (set under the 7° threshold), temperature checking is entrusted to the additional thermostat contact, thus bypassing the radio control temperature probe.

If the contact is open (fulfilled), the stove works at minimum power.

If the contact is closed (request), the stove works at the set power.

If the setting is on "HOT" (set above 37°C), the stove always operates at the set power, thus ignoring the external contact and the temperature probe.

ADJUSTING SET POWER

The set power has 5 levels of operation, Pressing the key  allows you to view the set power which can be changed using the keys  or .

Power 1 = minimum level - Power 5 = maximum level.

The change must be confirmed by pressing the key **OK**.


AUTO BLOW

During the work phase, the stove cleans the burn pot at regular intervals with the function called "AUTO BLOW".

When this procedure starts, a message is displayed. During the "AUTO BLOW" procedure, the pellet feed slows down and the fumes motor increases.

After cleaning, the stove resumes operation in normal conditions.

SWITCH-OFF

Press the  key for three seconds.

Once this operation has been performed, the appliance automatically enters the switch-off phase, blocking the pellet feed.

The flue gas exhaust motor and the hot air flow motor will remain on until the stove temperature has dropped below the safety settings.

REIGNITION

The stove can only be re-ignited if the temperature of the exhaust fumes is lower than the preset threshold and the minimum safety time has passed.

MODES

This menu allows you to set the machine operation logic. Range: (AUTOMATIC, SELF CONTROL)

If AUTOMATIC mode is selected, the stove power will be automatically adjusted to reach the set temperature without exceeding it.

This function improves the experience of using the generator in terms of consumption, thermal and acoustic comfort and the reduction in the need for cleaning and maintenance.

If SELF CONTROL mode is selected, the stove will heat the room to the set temperature whilst maintaining the power set by the user.

To set: OK > MODE > SET

FRONT AIR

This menu allows the upper ventilation motor speed to be set.

Range: (AUTO, COMFORT, OFF).

If comfort mode is selected, the upper air speed is reduced. If off mode is selected, the upper air is turned off.

To set: OK > FRONT AIR > SET

AIR DUCTING

This menu allows you to set the ducting motor speed. Range: (AUTO, COMFORT, OFF).

If COMFORT mode is selected, the ducting speed is reduced. If off mode is selected, the ducting is turned off.

To set: OK > AIR DUCTING > SET

AIR ZONE CONTROL

This menu allows you to enable the AIR ZONE CONTROL mode

Range: (ON, OFF)

If ON is selected, the stove will optimise the adjustment so that the heat is sent to the ducting when the main room temperature set is reached.

To set: OK > AIR ZONE CONTROL > SET

EASY SET-UP

The volumetric weight of the pellet is the ratio between the weight and the volume of the pellet. This ratio may change without altering pellet quality. By using the EASY SET-UP function, it is possible to change the calibration of the volumetric weight by increasing or decreasing the preset values.

In the stove program, the available values range from “- 3” to “+ 3”; all stoves are calibrated during production with the optimal value, which is 0.

If you notice an excessive deposit on the burn pot, access the EASY SET-UP program and lower the value by one unit to “- 1”; then wait until the next day and if there is no improvement, decrease again, to a maximum of “- 3”. Instead, if it is necessary to increase the calibration of the volumetric weight of the pellet, change the factory value from “0” to “+ 1, + 2, + 3” as required.

To set: OK > EASY SET-UP

EXCESSIVE PELLETT DEPOSIT IN BURN POT			NORMAL OPERATION	MINIMUM PELLETT DEPOSIT IN BURN POT		
-3	-2	-1	0	+1	+2	+3
THIRD DECREASE RANGE IF THE FIRST TWO ARE INSUFFICIENT	SECOND DECREASE RANGE IF THE FIRST IS INSUFFICIENT	FIRST DECREASE RANGE (TEST FOR 1 DAY)	OPTIMAL FACTORY VALUE	FIRST INCREASE RANGE	SECOND INCREASE RANGE IF THE FIRST IS INSUFFICIENT	THIRD INCREASE RANGE IF THE FIRST TWO ARE INSUFFICIENT

N.B.: IF THESE ADJUSTMENTS DO NOT SOLVE THE PROBLEM OF PELLETT DEPOSITS IN THE BURN POT, PLEASE CONTACT YOUR LOCAL SERVICE CENTRE.

CHRONO

This function allows stove ignition and switch-off to be automatically programmed.

The factory setting for CHRONO is off.

The chrono allows the programming of 4 time slots per day, which can be used every day of the week. **For each time slot, it is possible to set ignition and switch-off times, specific days of application, desired temperature and set power. Current day and time settings are essential for the correct operation of the Chrono.**

Recommendations

Before using the chrono function, you must set the current date and time, so check that you have followed the points listed in the sub-chapter "DATE-TIME". To use the chrono function correctly, it must not only be programmed, but also enabled. The 4 time slots can be overlapped using the ignition and switch-off time settings. In this way, it is possible to create a combination of time slots with different temperatures and power levels, without changing the status of the stove.

N.B.: in the case of overlapping time slots, the stove will remain on until the last switch-off time.

ENABLING

Allows the chrono and the different stove time slots to be enabled/disabled.

To set: OK > CHRONO > ENABLING

PRG 1-4

Prg x allows you to set the ignition and switch-off time, the days of use of the programmed time slot and the temperature (LOW-TA - 07 - 37 °C - HOT) and also the desired power. Current day and time settings are essential for the correct operation of the Chrono.

To set: OK > CHRONO > PRGX

CHRONO	>	ENABLING	>	PRG 1	ON/OFF	Enable/disable PRG 1
		∨		PRG 2	ON/OFF	Enable/disable PRG 2
		∨		PRG 3	ON/OFF	Enable/disable PRG 3
		∨		PRG 4	ON/OFF	Enable/disable PRG 4
		∨				
		PRG1	>	START PRG1	OFF-00:00-23:50	Ignition time PRG1
		∨		STOP PRG1	OFF-00:00-23:50	Switch-off time PRG1
		∨		MONDAY...SUNDAY	ON/OFF	Enable/disable the days of PRG1
		∨		SET PRG1	LOW-TA - 07- 37 °C - HOT	Set thermostat PRG1
		∨		POWER PRG1	1-5	Set power PRG1
		∨				
		PRG2	>	START PRG2	OFF-00:00-23:50	Ignition time PRG2
		∨		STOP PRG2	OFF-00:00-23:50	Switch-off time PRG2
		∨		MONDAY...SUNDAY	ON/OFF	Enable/disable the days of PRG2
		∨		SET PRG2	LOW-TA - 07- 37 °C - HOT	Set thermostat PRG2
		∨		POWER PRG2	1-5	Set power PRG2
		∨				
		PRG3	>	START PRG3	OFF-00:00-23:50	Ignition time PRG3
		∨		STOP PRG3	OFF-00:00-23:50	Switch-off time PRG3
		∨		MONDAY...SUNDAY	ON/OFF	Enable/disable the days of PRG3
		∨		SET PRG3	LOW-TA - 07- 37 °C - HOT	Set thermostat PRG3
		∨		POWER PRG3	1-5	Set power PRG3
		∨				
		PRG4	>	START PRG4	OFF-00:00-23:50	Ignition time PRG4
				STOP PRG4	OFF-00:00-23:50	Switch-off time PRG4
				MONDAY...SUNDAY	ON/OFF	Enable/disable the days of PRG4
				SET PRG4	LOW-TA - 07- 37 °C - HOT	Set thermostat PRG4
				POWER PRG4	1-5	Set power PRG4

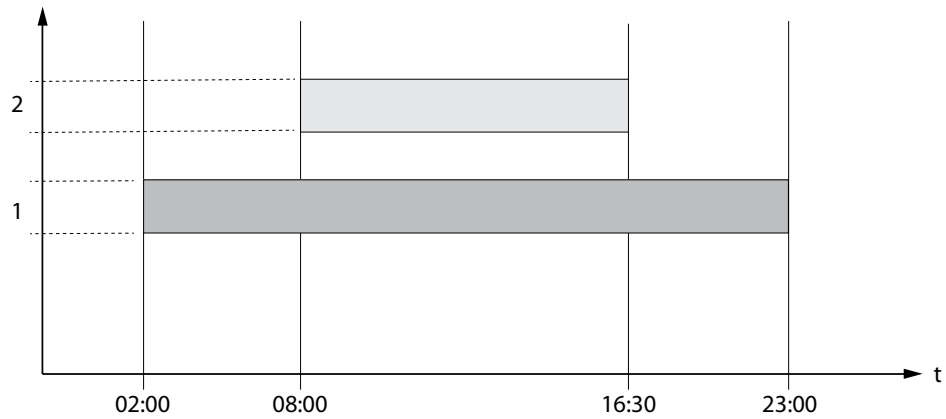


WHEN THE WEEKLY PROGRAMMER IS ACTIVE, THE RELATIVE ICON WILL BE SHOWN ON THE RADIO CONTROL DISPLAY.

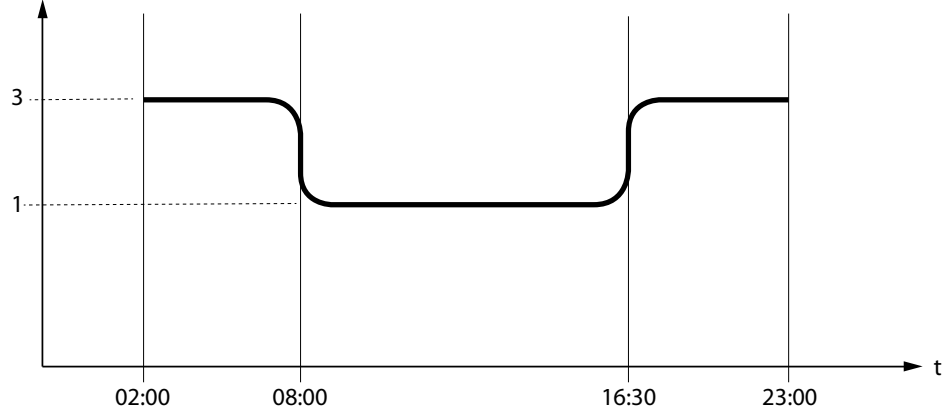


EXAMPLE OF CHRONO OVERLAPPING TIMES/SLOTS

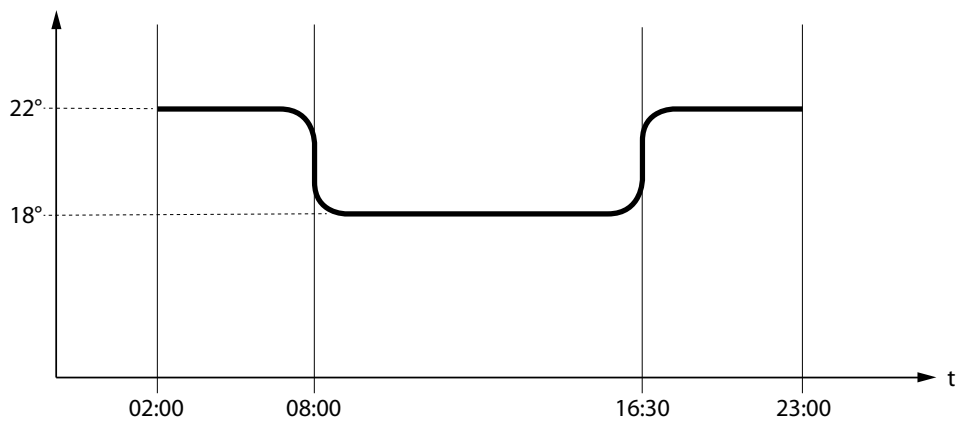
TIME SLOT



POWER



SET TEMPERATURE



	Time slot 1	Start 02:00 Stop 23:00	Power 3 - set temp 22°C
	Time slot 2	Start 08:00 Stop 16:30	Power 1 - set temp 18°C
	Stove operation		

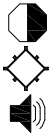
SETTINGS

- ◆ DATE-TIME
- ◆ LANGUAGE
- ◆ SET DEGREES

SEE CHAPTER: FIRST IGNITION SETTINGS.

DISPLAY

The "DISPLAY" menu allows:



- ◆ Adjustment of Display contrast.
- ◆ Activation/Deactivation of backlight.
- ◆ Enabling/disabling of acoustic signal.

- STAND-BY ◆ Setting of the timer to turn off the Display backlight.
- RESET ◆ Setting of the timer to turn off the Display (sleep mode).

To set: *OK > SETTINGS > DISPLAY*

DISPLAY	
	25
	ON
	ON
STAND-BY	4sec
RESET	20sec

STAND BY

The STAND BY function is used if the stove needs to be turned off immediately instead of a power modulation.

To set: *OK > SETTINGS > STAND BY*

STAND BY FUNCTION SET TO ON

If the STAND BY function is enabled (ON) and the room temperature exceeds the SET THERMOSTAT + DELTA-T OFF value, then the stove switches off after a preset factory delay, and STAND BY will be displayed on the screen.

When the room temperature is lower than the SET THERMOSTAT - DELTA-T ON and after a possible cooling time, the stove switches back on.

STAND BY FUNCTION SET TO OFF (FACTORY SETTING)

When the STAND BY function is not enabled (OFF), if the stove exceeds the set room temperature, it will switch to the minimum power level, modulating and displaying MODULATION on the screen. When the room temperature is lower than the SET THERMOSTAT the stove will restart at the set power and WORK will be displayed on the screen.

OPERATION WITH ADDITIONAL THERMOSTAT (OPTIONAL)

STAND BY FUNCTION SET TO OFF (FACTORY SETTING)

When the STAND BY function is not activated (OFF), if the stove exceeds the room temperature set on the additional thermostat (open contact), it switches to the minimum power level and displays MODULATION on the screen. When the room temperature is lower than the set value on the additional thermostat (closed contact), the stove will resume operation at the set power, and WORK will be displayed on the screen.

STAND BY FUNCTION SET TO ON

If the STAND BY function is activated (ON), when the room temperature set on the supplementary thermostat is reached (open contact), the stove will switch off after a pre-set default delay period, and STAND BY will be displayed on the screen.

When the room temperature is less than the set temperature on the additional thermostat (closed contact), and after a certain cooling time, the stove ignites again.



**FOR CORRECT OPERATION, THE SET THERMOSTAT MUST BE SET TO LOW-TA.
> SEE THE ADDITIONAL THERMOSTAT INSTALLATION CHAPTER**

DELTA-T

This function allows the hysteresis thresholds to be set for stove ignition (DELTA T ON) and switch-off (DELTA T OFF), used as a room temperature adjustment interval if not managed by an external thermostat.


The possible values of *DELTA-T* vary between: 0.5 - 5°C

To set: *OK > SETTINGS > DELTA-T*

FIRST LOAD

This function allows you to activate the gearmotor for continuous pellet feeding. Before starting the function, make sure the stove is cold and "OFF".


To set: *OK > SETTINGS > FIRST LOAD*

To stop continuous loading, just press and hold the  key for 2".

QUICK ACCESS:

Before starting the function, make sure the stove is cold and "OFF".

Press keys  +  at the same time for two seconds until the message "FIRST LOAD" is displayed.

To stop continuous loading, just press and hold the  key for 2".

RESET

Allows the user to reset all editable values to the default values.

To set: *OK > SETTINGS > RESET.*

EASY CONTROL

The function allows for two values to be set:

- ♦ OFF (disabled - factory default)
- ♦ ON (enabled)

Activation (EASY CONTROL = ON) is recommended if there is an excessive formation of combustion residues in the flue during operation at reduced power (see FLUE EXHAUST chapter).

Caution! It is advisable to activate the EASY CONTROL function under the supervision of a qualified technician.

To set: *OK > SETTINGS > EASY CONTROL*

WI-FI

Allows you to change the settings for the Wi-Fi module integrated in the emergency console.

The stove is fitted with an integrated Wi-Fi module in the emergency console and has a "Wi-Fi" LED dedicated specifically to monitoring and troubleshooting the Wi-Fi function.

The entire Wi-Fi interface is grouped under the Settings -> W-Fi menu

There are no physical keys connected to the Wi-Fi module, ENABLING and RESET are performed using the remote control via the boiler card.

The configuration must be entered using the Total Control 2.0 App. For instructions, consult the website:

https://www.lanordica-extraflame.com/sites/default/files/documenti_temp/004281060-000_istr.app_total_control_2.0.pdf

♦ ENABLING

The integrated Wi-Fi can be enabled and disabled. When the Wi-Fi is disabled, the connection settings are store and it is no necessary to enter a new configuration when it is turned on again.

To set: *OK > SETTINGS > WI-FI > ENABLING > ON/OFF*

◆ RESET

The setting allows you to reset the Wi-Fi to factory settings

To set: *OK > SETTINGS > WI-FI > RESET > OK*

◆ INFO

Three pieces of information about the Wi-Fi function are available in this menu. This information may be requested by the app during the configuration stage.


To set: *OK > SETTINGS > WI-FI > INFO*

- MAC: Unique identification code of the Wi-Fi device
- CODE: Numeric code required for connection with the Extraflame server
- RSSI: Received signal strength, when the Wi-Fi is correctly connected to an access point

The RSSI value is expressed in decibels (dB) as a negative number which is typically in the range between -60dB (excellent signal) and -85dB (very poor signal). If the signal is poor, we recommend purchasing a Wi-Fi repeater to avoid any connectivity problems.

OPERATION AND SOLUTIONS

The Wi-Fi module identifies the operation status using the green "Wi-Fi" LED. The table below shows how to interpret the information provided and the solutions to implement

WI-FI LED STATUS 	EXPLANATION	SOLUTION
OFF	Module off	Enable the module from the Wi-Fi menu Check the stove power supply Contact the technical support service
FAST ON/OFF FLASHING (0.1s ON / 0.1s OFF)	Stove not recognised <i>Connection problem with the main stove card</i>	It is correct for the stove not to be recognised in the first few seconds after being switched on If the status persists, contact the technical support service
2s ON / 2s OFF	Access Point <i>The module is ready to be configured from the APP</i>	Follow the APP manual to complete the configuration
1s ON / 1s OFF	Connection in progress <i>The module is attempting to make the connection to the home network selected.</i>	The module may take up to one minute to make the connection. If the problem persists, run a reset and reconfigure the product
0.5s ON / 0.5s OFF	Wi-Fi network connection but no server access	Check that for the internet connection to the selected Wi-Fi network. Check that the data entered in the APP are correct. If the status persists, contact the technical support service
2 flashes / 4 s	Connected to the server, but product configuration problem	Contact the technical support service
ON	The product is connected to the server	To disable the connection, use the ENABLE menu
0.1s ON / 0.3s OFF	The module is updating	The process will be automatically completed in a few minutes If the status persists, contact the technical support service

DEPRESSURE NOTICE

It allows you to activate the buzzer for acoustic warnings if the door or the hopper are open.

Please note: Activation can reduce battery life by 30%.

The battery life depends on the usage

To set: *OK > SETTINGS > DEPRESSURE NOTICE*

ADDITIONAL FUNCTIONS

ADDITIONAL THERMOSTAT INSTALLATION (OPTIONAL)

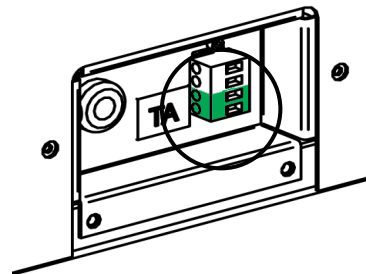
The stove can control the room temperature through an additional thermostat (optional).

After ignition (by pressing key 6 or in chrono mode), the stove will work to reach the set value on the thermostat, displaying WORK (closed contact) on the screen. The standard room sensor is by-passed automatically.

When the thermostat temperature has been reached (open contact), the stove switches to minimum power level and displays MODULATION ON THE SCREEN.

CONTROLS PROCEDURE

- ◆ A mechanical or digital thermostat with a “normally open” input is required.
- ◆ Remove the plug from the socket.
- ◆ Using the figure to the side as a reference, connect the two thermostat cables (clean contact - no 230 V!).
- ◆ Connect the power to the stove again.
- ◆ Press key 3, until the SET THERMOSTAT is on LOW-TA.



PLEASE NOTE: THE TERMINAL CAN BE FOUND IN THE BAG INSIDE THE STOVE.



INSTALLATION MUST BE PERFORMED BY QUALIFIED STAFF AND/OR THE MANUFACTURER'S SERVICE TECHNICIANS

DELAY SWITCH-OFF

You can program a delayed switch-off for the stove. For example, if it is 8 pm and the delayed switch-off is set to 1h, the stove will automatically switch off at 9 pm.

If you press and hold keys 6 + 2 at the same time, the screen “DELAY SWITCH-OFF” will appear, (this setting can only be configured if the stove is in the PREPARATION or WORK phase).

Use keys 2 and 3 to increase/decrease the number of hours after which the stove will automatically start the final cleaning phase.

The number of hours range from OFF, 1 to 9.

Press P6 to confirm and return to the Home page.

One hour after the set switch-off time, the remaining operating time is indicated by displaying at one-minute intervals “switch off in” and the time “HOURS xx:xx”.

TO FIND OUT WHERE YOUR NEAREST SERVICE CENTRE IS, CONTACT YOUR DEALER OR VISIT THE WEBSITE:
WWW.LANORDICA-EXTRAFLAME.COM

CLEANING AND MAINTENANCE

ALWAYS FOLLOW THE INSTRUCTIONS IN COMPLETE SAFETY!

- ♦ Make sure that the power supply cable plug is disconnected, as the generator may have been programmed to turn on.
- ♦ That the generator is cold all over.
- ♦ That the ashes are completely cold.
- ♦ Ensure efficient air exchange in the room during the product cleaning operations.
- ♦ Poor cleaning will compromise correct operation and safety!

MAINTENANCE

For correct operation, the generator must undergo routine maintenance by a qualified technician, at least once a year. The periodic inspection and maintenance operations must always be performed by specialised, qualified technicians, who operate in accordance with the laws in force and the instructions given in this use and maintenance manual.



EVERY YEAR, HAVE THE FUME EXTRACTION SYSTEM, FLUE PIPES AND "T" FITTINGS, INCLUDING THE INSPECTION CAPS CLEANED. IF PRESENT, ALSO CLEAN THE ELBOWS AND HORIZONTAL SECTIONS! THE GENERATOR CLEANING FREQUENCY IS INDICATIVE! IT DEPENDS ON THE QUALITY OF THE PELLET USED AND ON HOW OFTEN IT IS USED. THESE OPERATIONS MAY SOMETIMES NEED TO BE PERFORMED MORE OFTEN

PERIODIC CLEANING UNDER USER'S RESPONSIBILITY

The periodic cleaning operations, as indicated in this use and maintenance manual, must be performed with the utmost care after reading the instructions, procedures and frequency described in this use and maintenance manual.

CLEANING THE SURFACES AND COVERING

Never use abrasive or chemically aggressive detergents for cleaning!

The surfaces must be cleaned when the generator and coating are completely cold. For the maintenance of the surfaces and metal parts, simply use a cloth dampened with water or with water and neutral soap.

Failure to follow the instructions may lead to damage to the generator surfaces and invalidate the warranty.

CLEANING THE CERAMIC GLASS

Never use abrasive or chemically aggressive detergents for cleaning!

The ceramic glass must be cleaned when the glass is completely cold.

To clean the ceramic glass, simply use a dry brush and some damp newspaper dipped in ash. If the glass is very dirty, use a specific cleaning agent for ceramic glass. Spray a small amount on a cloth and use it on the ceramic glass. Do not spray the cleaning agent or any other liquid directly on the glass or seals!

Failure to comply with these instructions may damage the surfaces of the ceramic glass and cause the invalidation of the warranty.

CLEANING THE PELLET HOPPER

When the hopper is completely empty, disconnect the power cord of the generator, remove the residues (dust, chippings, etc.) from the empty hopper and then fill it up.



THE SEALS OF THE PELLET HOPPER, BURN POT AND FIRE DOOR ENSURE THE CORRECT OPERATION OF THE STOVE. THESE NEED TO BE PERIODICALLY CHECKED BY THE USER. IF THEY ARE WORN OR DAMAGED, REPLACE THEM IMMEDIATELY.

THESE OPERATIONS MUST BE CARRIED OUT BY A QUALIFIED TECHNICIAN.



IF THE POWER CORD IS DAMAGED, IT MUST BE REPLACED BY THE SERVICE CENTRE OR BY A SIMILARLY QUALIFIED PERSON, SO AS TO AVOID ALL RISKS.

EXTERNAL DOOR-EXTERNAL GLASS

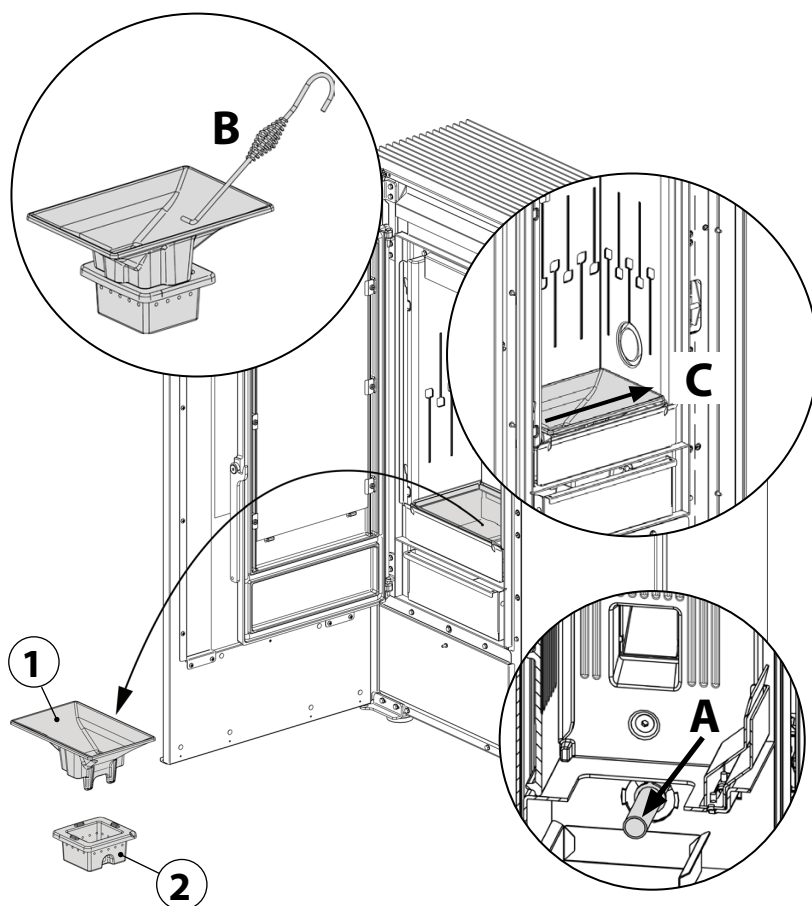
- ◆ Only clean the external glass (door) when cold!

BURN POT AND COMBUSTION CHAMBER

- ◆ Remove the ash conveyor (1) completely, emptying any ash residues into the burn pot below.
- ◆ Remove the burn pot (2) and empty out any ash residues.
- ◆ Vacuum the ash from the combustion chamber and spark-plug pipe holder (A).
- ◆ Use a brush with soft bristles to eliminate the soot on the refractory bricks.
- ◆ Unblock all the holes in the burn pot (2) using the supplied poker.
- ◆ Put the burn pot back in place and push it towards the hearth wall (C).
- ◆ Reposition the ash conveyor, making sure that it rests on the burn pot correctly, and not on another surface of the combustion chamber.

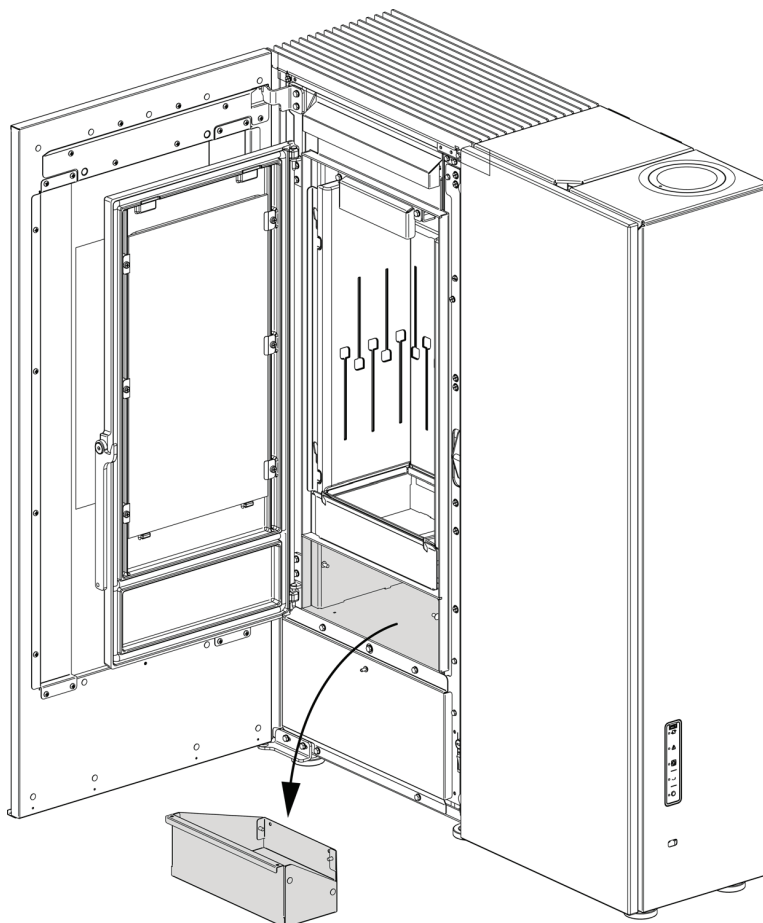
Keep the conveyor (B) clean by using the poker supplied to remove any deposits.

NOTE: Use a suitable ash vacuum cleaner with a special separate container for the collected ashes.



REMOVABLE ASH PAN

- ◆ Remove the ash drawer and empty it in a dedicated container.
- ◆ Clean and put the drawer back in.

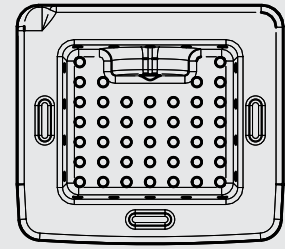


A CLEAN BURN POT GUARANTEES CORRECT OPERATION!



BY KEEPING THE BURN POT AND ITS HOLES CONSTANTLY CLEAN AND FREE OF COMBUSTION RESIDUE, EXCELLENT COMBUSTION IS GUARANTEED OVERTIME, THUS PREVENTING ANY GENERATOR MALFUNCTIONS THAT MAY REQUIRE TECHNICAL ASSISTANCE.

THE "EASY SETUP" FUNCTION IN THE USER MENU CAN BE USED TO ADAPT COMBUSTION ACCORDING TO THE NEEDS DESCRIBED.



PARTS/FREQUENCY	EVERY 2 DAYS	EVERY 7 DAYS	EVERY 30 DAYS	EVERY YEAR
EXTERNAL DOOR-EXTERNAL GLASS (USER)		X		
BURN POT AND COMBUSTION CHAMBER (USER)	X			
REMOVABLE ASH DRAWER (USER)			X	
T-SHAPED FITTING / SMOKE DUCT (TECHNICIAN)				X

One day means an average use of 8h at the rated power.

How often the ash drawer is emptied depends on a number of factors: the type of pellets, the stove output, the use of the stove and the type of installation.

ROUTINE MAINTENANCE PERFORMED BY QUALIFIED TECHNICIANS

Routine maintenance must be performed at least once a year.

Given that the generator uses pellets as solid fuel, it requires annual routine maintenance, which must be performed by a **Qualified technician, using only original spare parts.**

Failure to comply may jeopardise the safety of the appliance and invalidate the warranty conditions.

By observing the cleaning schedule reserved to the user described in the use and maintenance manual, the generator will be guaranteed correct combustion over time, thus preventing any faults and/or malfunctions which may require subsequent technical assistance. Requests for routine maintenance are not covered by the warranty.

GASKETS: PELLETT HOPPER LID, DOOR, ASH DRAWER AND BURN POT

The gaskets ensure the proper sealing of the stove and therefore its proper operation.

They must be periodically checked and immediately replaced if worn or damaged.

These operations must be carried out by a qualified technician.

CONNECTION TO THE FLUE

Annually, or in any case each time the flue pipe needs to be vacuumed and cleaned. If there are horizontal sections, the residue must be removed to prevent it from obstructing the flow of fumes.

SHUT-DOWN (END OF SEASON)

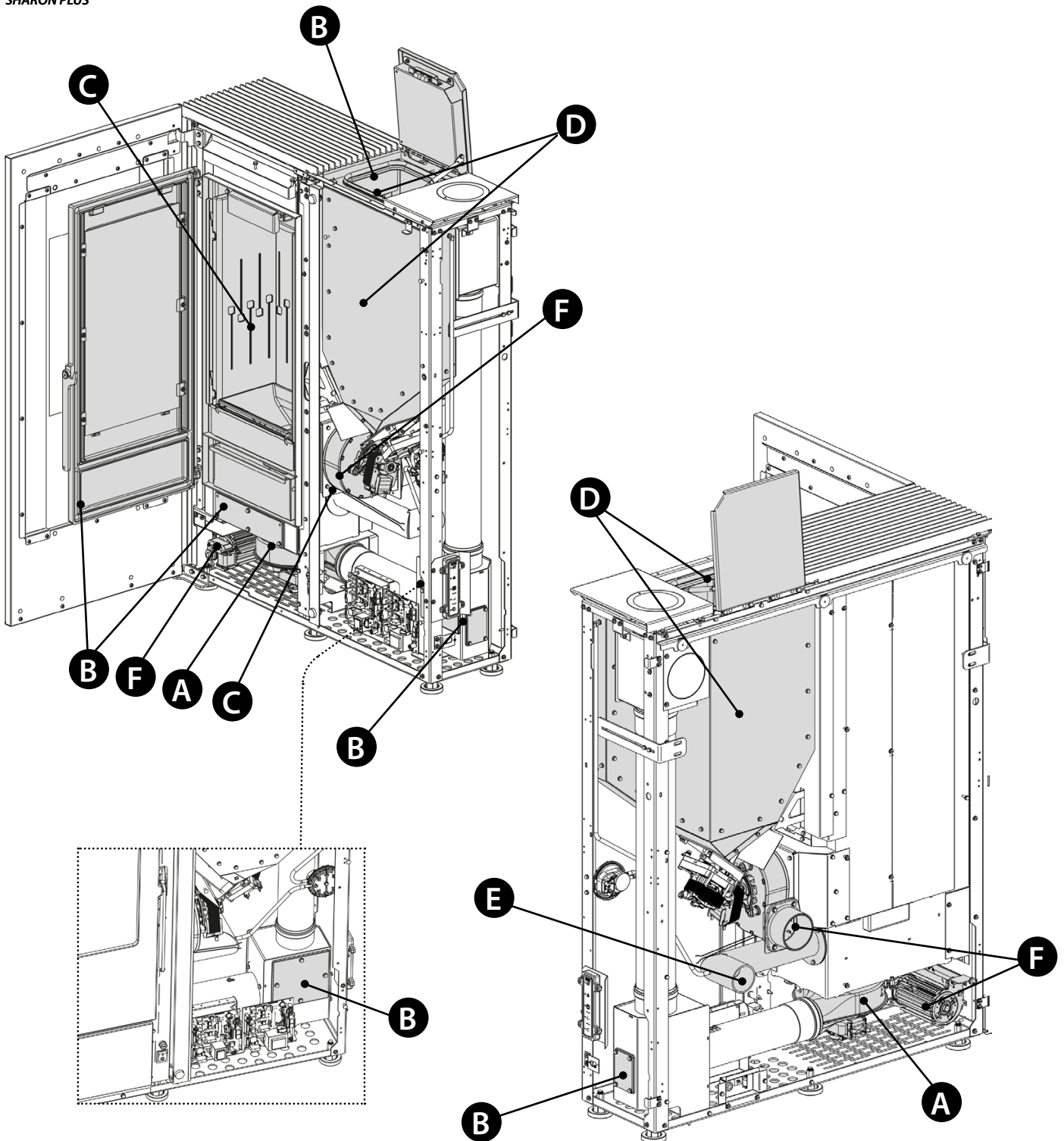
At the end of each season, before turning the stove off, it is advisable to empty the pellet hopper out completely and vacuum any pellet and dust residues. It is also advisable to disconnect the generator from the electrical power supply and, for greater safety especially in the presence of children, remove the power cord. Routine maintenance must be performed at least once a year.

TO FIND OUT WHERE YOUR NEAREST SERVICE CENTRE IS, CONTACT YOUR DEALER OR VISIT THE WEBSITE:
WWW.LANORDICA-EXTRAFLAME.COM

ROUTINE MAINTENANCE


THE IMAGES ARE FOR ILLUSTRATIVE PURPOSES.

SHARON PLUS



A	Fumes motor (disassembly and cleaning and fumes pipe and "T"), new silicone in the provided points
B	Gaskets, pellet hopper, inspections, ash drawer and door (replace and apply silicone where indicated)
C	Combustion chamber and heat exchanger (full cleaning) including ignition plug pipe
D	Hopper (complete emptying and cleaning) and check gasket.
E	Check the air intake pipe and check/clean the mechanical pressure switch
F	Remove the room air fan and remove any dust and pellet residue.

DISPLAYS	
DISPLAY	REASON
OFF	Generator off
START	The start-up phase is in progress
PELLET LOADING	Continuous pellet loading is in progress during the ignition phase
IGNITION	The ignition phase is in progress
PREPARATION	The preparation phase is in progress
WORK	The normal work phase is in progress
MODULATION	The generator is working at minimum
FINAL CLEANING	The final cleaning is in progress
STAND-BY	Generator off waiting for re-ignition due to the external thermostat.
COOLING STAND BY	A new ignition is attempted when the generator has just been switched off. When the generator switches off, you must wait for the complete shutdown of the fumes motor, then clean the burn pot. The generator can only be re-ignited when these operations have been performed.
BLACK OUT STAND BY	The generator is cooling after a power cut. Once cooling is completed, it will re-start automatically
AUTO BLOW	The automatic blow is active
CLOSE HOPPER-STOVE DOOR	This indication means that you have 60 seconds to close the hatch/door and the pellet lid. Once 60 seconds have passed, during ignition the stove will go into "DEPR ALARM" mode, while during normal operation the stove will go into "COOLING STAND BY" mode before automatically resuming operation once the conditions are satisfied (cold stove, etc.).

ALARMS		
DISPLAY	EXPLANATION	SOLUTION
	Indicates the presence of an alarm.	On: indicates the presence of an alarm The alarm can only be reset if the fumes motor has stopped and 15 minutes have passed since the alarm was displayed, by pressing key 6 for 3 seconds.
FUMES MOTOR FAULT	Fumes motor fault	Contact after-sales centre
FUMES PROBE	Fumes probe fault.	Contact after-sales centre
HOT FUMES	High fumes temperature	Check pellet feed (see "EASY SETUP"), if the problem cannot be solved, contact a qualified technician.
NO IGNITION	The pellet hopper is empty. Pellet feed calibration inadequate. Thermostat bulbs tripped.	Check for the presence of pellets in the hopper. Adjust the pellet flow (see "EASY SETUP"). Check the procedures described in the "IGNITION" chapter. Check bulb thermostats (see chapter on Resetting)
NO FLAME	The pellet hopper is empty. No pellet feed. The gearmotor does not feed pellets.	Check for the presence of pellets in the hopper. Adjust the pellet flow (see "EASY SETUP").
DEPR ALARM	The door is not closed correctly. The ash drawer is not closed correctly. The combustion chamber is dirty. The fumes exhaust pipe is blocked/dirty The vacuum detection channel inside the ash drawers is clogged.	Check hermetic door closure. Check hermetic closure of the ash drawer. Check cleanliness of the fumes pipe and the combustion chamber. Check and clean the hose connection and the ash drawer pressure switch tube.
NO IGNITION - BLACK OUT	No power during the ignition phase.	Turn the stove off using key 6 and repeat the procedure described in the "IGNITION" chapter. Other reset operations should be performed by an authorised technician.
COMMAND AUGER ALARM	Abnormal pellet loading.	Contact after-sales centre

DISPOSAL

INFORMATION FOR MANAGEMENT OF ELECTRIC AND ELECTRONIC APPLIANCE WASTE CONTAINING BATTERIES OR ACCUMULATORS



This symbol, which is used on the product, batteries, accumulators or on the packaging or documents, means that at the end of its useful life, this product, the batteries and the accumulators included must not be collected, recycled or disposed of together with domestic waste. Improper management of electric or electronic waste or batteries or accumulators can lead to the leakage of hazardous substances contained in the product. For the purpose of preventing damage to health or the environment, users are kindly asked to separate this equipment and/or batteries or accumulators included from other types of waste and to arrange for disposal by the municipal waste service. It is possible to ask your local dealer to collect the waste electric or electronic appliance under the conditions and following the methods provided by national laws transposing the Directive 2012/19/EU.

Separate waste collection and recycling of unused electric and electronic equipment, batteries and accumulators helps to save natural resources and to guarantee that this waste is processed in a manner that is safe for health and the environment.

For more information about how to collect electric and electronic equipment and appliances, batteries and accumulators, please contact your local Council or Public Authority competent to issue the relevant permits.

Lined writing area consisting of multiple horizontal lines for text input.

Extraflame®

Riscaldamento a Pellet

EXTRAFLAME S.p.A. Via Dell'Artigianato, 12 36030 - MONTECCHIO PRECALCINO (VI) - ITALY
☎ +39.0445.865911 - 📠 +39.0445.865912 - ✉ info@extraflame.it - 🌐 www.lanordica-extraflame.com

MADE IN ITALY
design & production

***TO FIND THE SERVICE CENTRE NEAREST TO YOU
CONTACT YOUR DEALER OR CONSULT
THE SITE WWW.LANORDICA-EXTRAFLAME.COM***

The manufacturer reserves the right to vary the characteristics and the data reported in this pamphlet at any moment and without notice, in order to improve its products.