

**HAAAS
+
SOHN**

**Newham easy 347.15-C with oven
London-II easy 347.15 with oven**

Equipment sheet
Fireplace stove

GB

Notes in the text



Of utmost importance there are the notes entitled **WARNING**. The notes entitled **WARNING** advise you on **serious danger of damage to the heating device or of an injury**.



The note entitled **Notice** advises you on possible damage to your heating device.



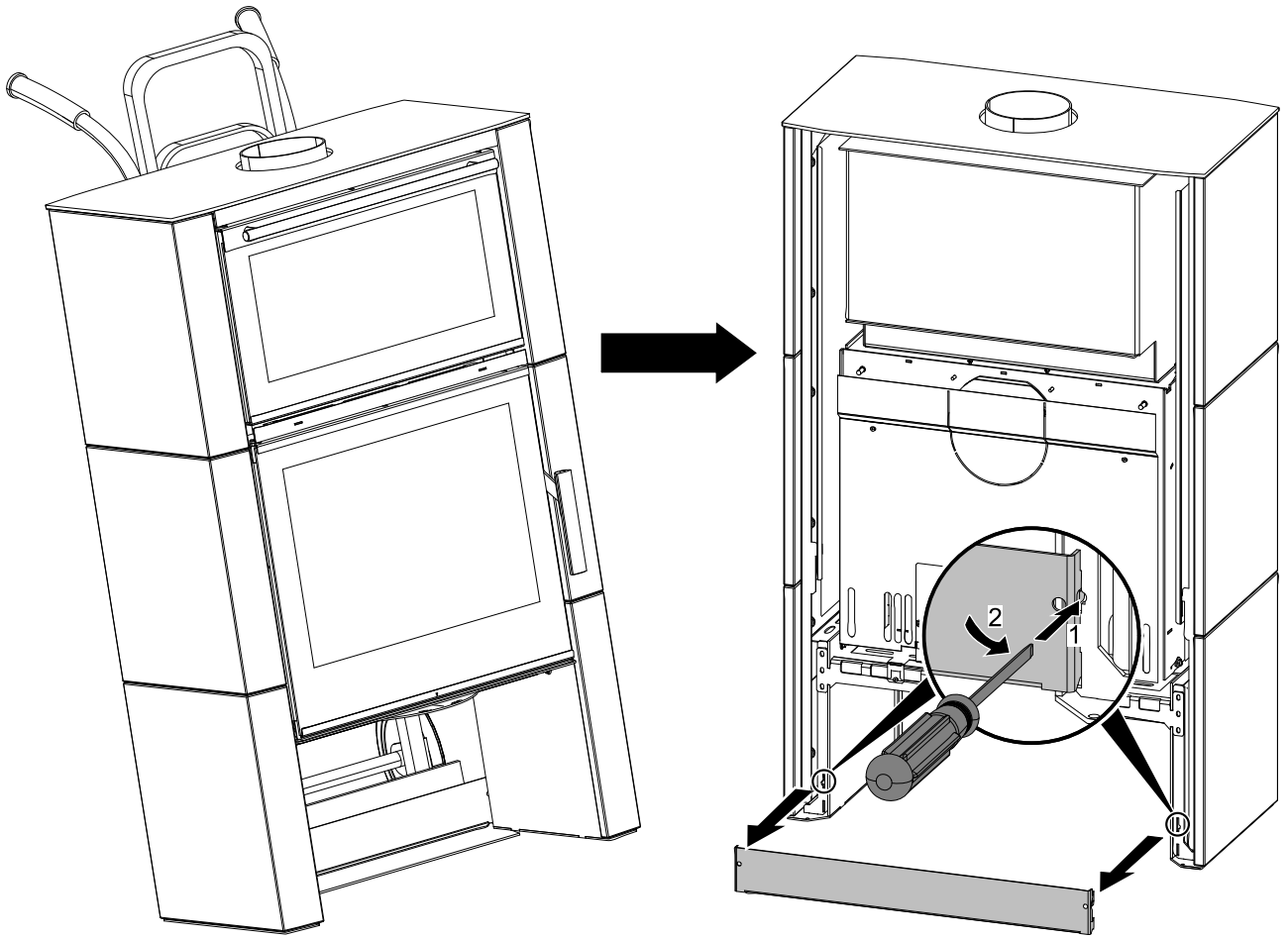
The note entitled **Important** calls your attention to the information important for the operation of your heating device.



The note itself calls your attention to the information important for the operation of your heating device in general.

Contents

1. Technical data	1
1.1. Suitable fuel, stoking amount of fuel	1
2. Technical description	2
2.1. Version - ceramics	2
2.2. Version - metal sheet.....	3
3. List of spare parts	4
3.1. Overall scheme of the model	4
3.2. Detail A1	6
3.3. Detail A2.....	7
4. Cleaning and maintenance	8
4.1. Removing the oven door.....	8
4.2. Assembling the oven door	9
4.3. Thermometer	9
4.4. Cleaning the flue gas passes - annual maintenance.....	10



1. Technical data

	Block wood
Achievable heat output	8,1 kW
Nominal heat output	7,8 kW
Energy efficiency	88,3 %
Average concentration of CO at 13% O ₂	862 mg/Nm ³
Average concentration of dust at 13% O ₂	31 mg/Nm ³
Average concentration of NOx at 13% O ₂	104 mg/Nm ³
Average concentration of OGC at 13% O ₂	50 mg/Nm ³
Average concentration of CO at 0% O ₂	596 mg/MJ
Average concentration of dust at 0% O ₂	23 mg/MJ
Average concentration of NOx at 0% O ₂	72 mg/MJ
Average concentration of OGC at 0% O ₂	34 mg/MJ
Three values of combustion products (three specific output parameters of chimneys)	
Amount of combustion products at nominal output	5,9 g/s
Temperature of combustion products in the smoke flue neck	167 °C
Minimum draft of the chimney at nominal heat output	12 Pa

Safety distances

Minimal distances from flammable materials:	side:	20 cm
	rear:	40 cm
	front (radiation area):	95 cm

1.1. Suitable fuel, stoking amount of fuel

Fuel:	Max. stoking amount of fuel
Block wood:	2 - 3 logs (max. 2,2 kg)
Length of wood logs:	Max. 50 cm



Note

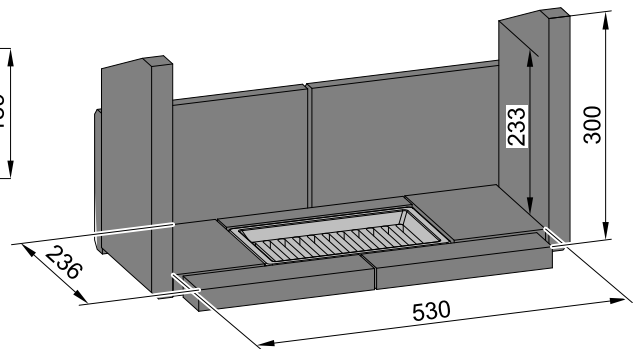
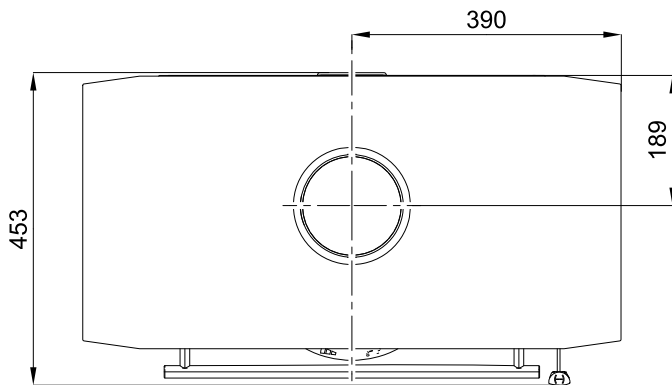
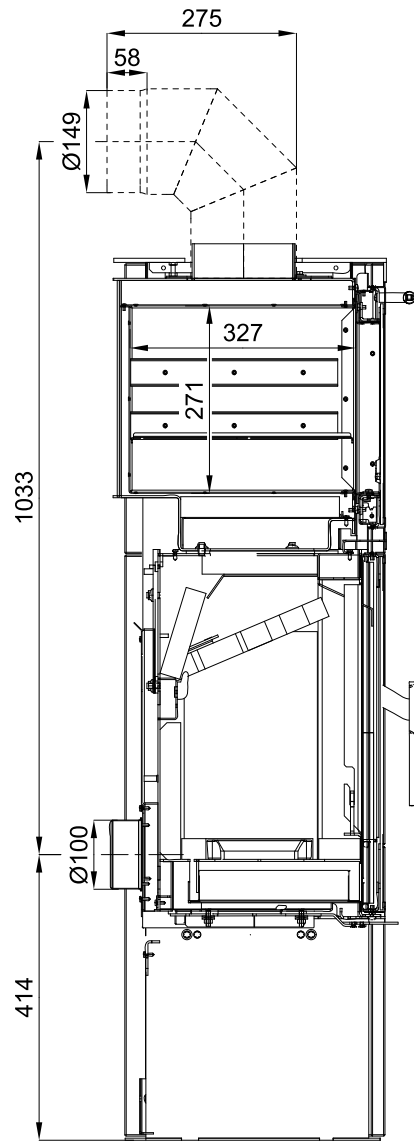
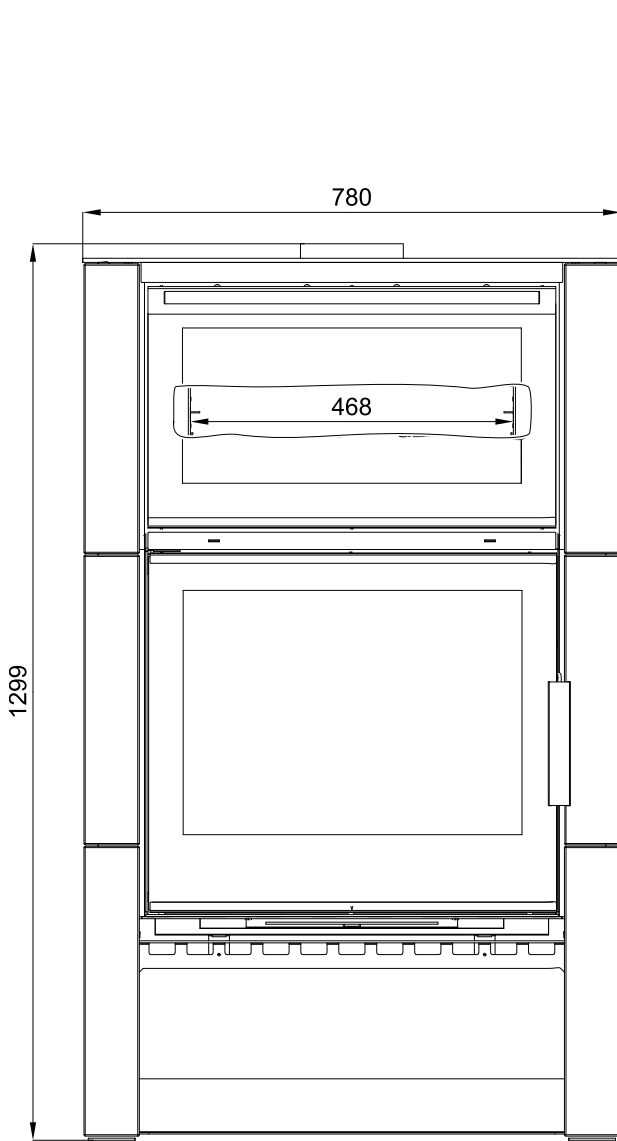
When heating with wood stock, employ solely the types of wood which have been stored for two years and their residual humidity is at most 17 %.

2. Technical description

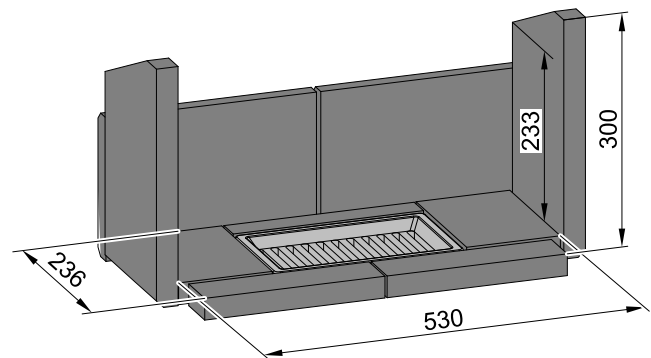
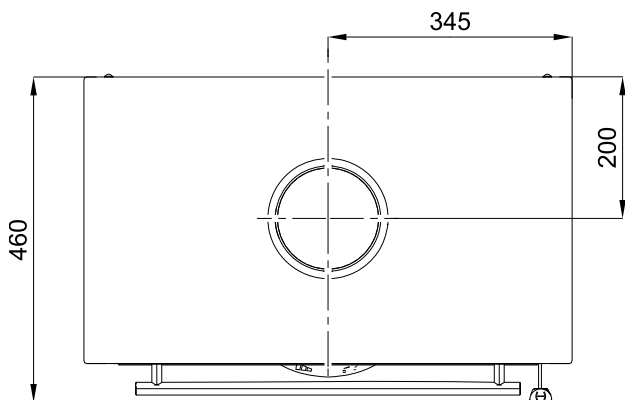
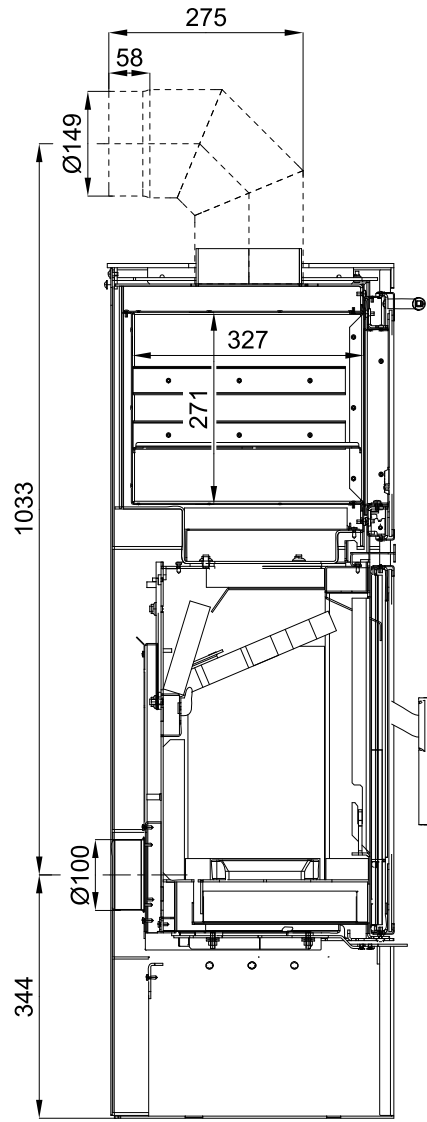
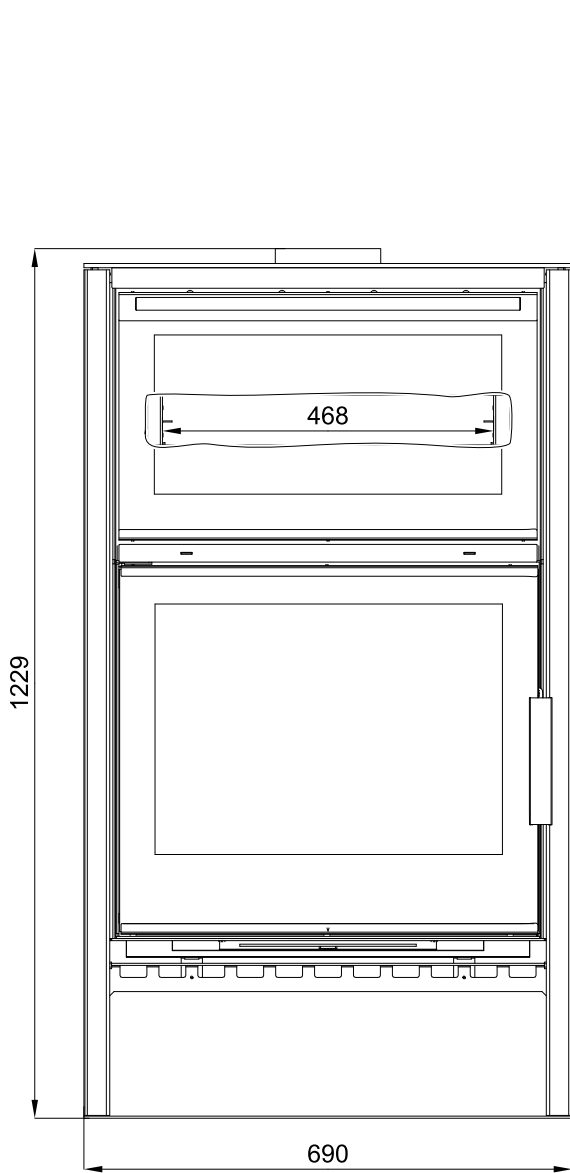
2.1. Version - ceramics

Technical description

GB



2.2. Version - metal sheet

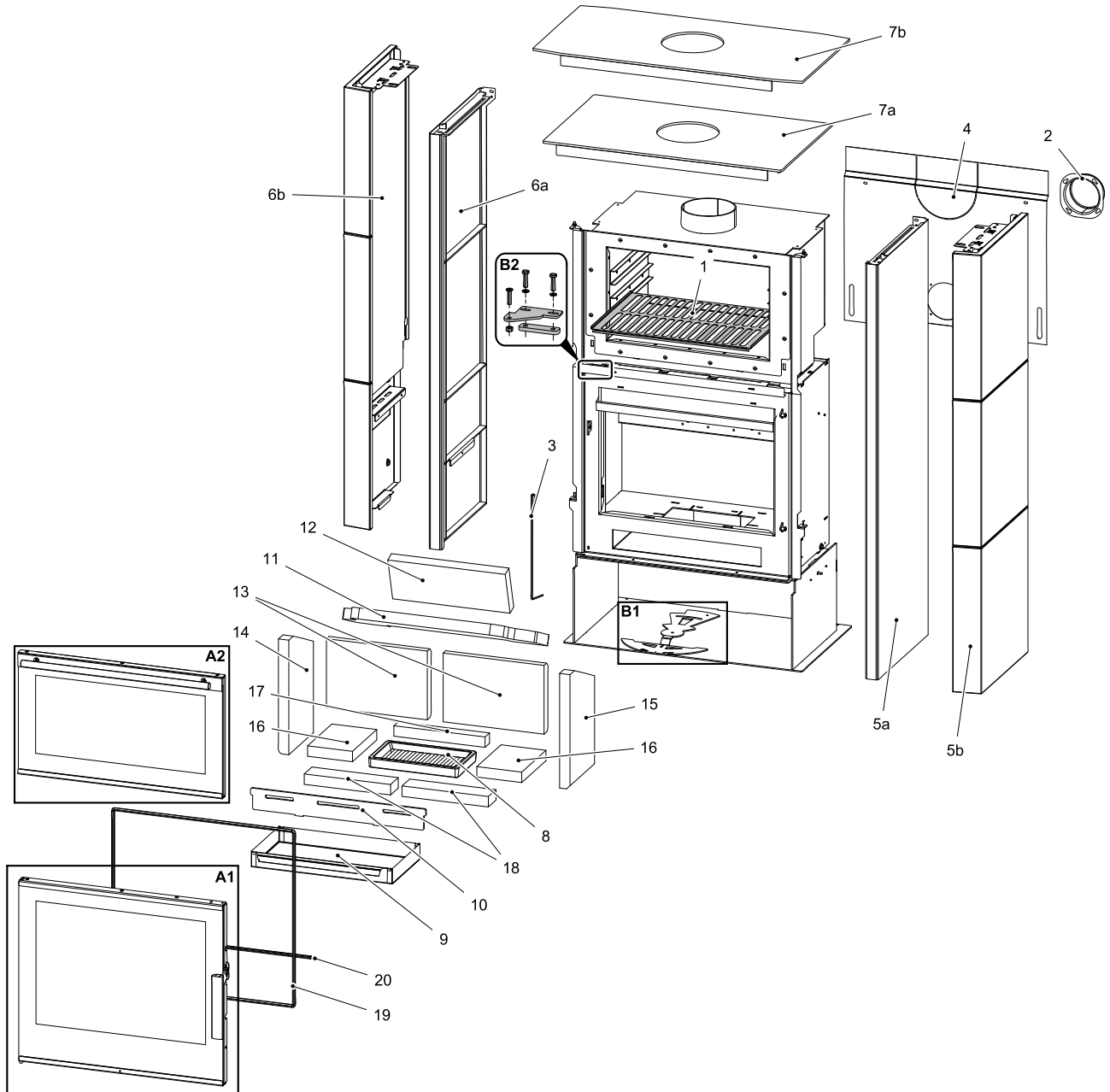


3. List of spare parts

3.1. Overall scheme of the model

List of spare parts

GB

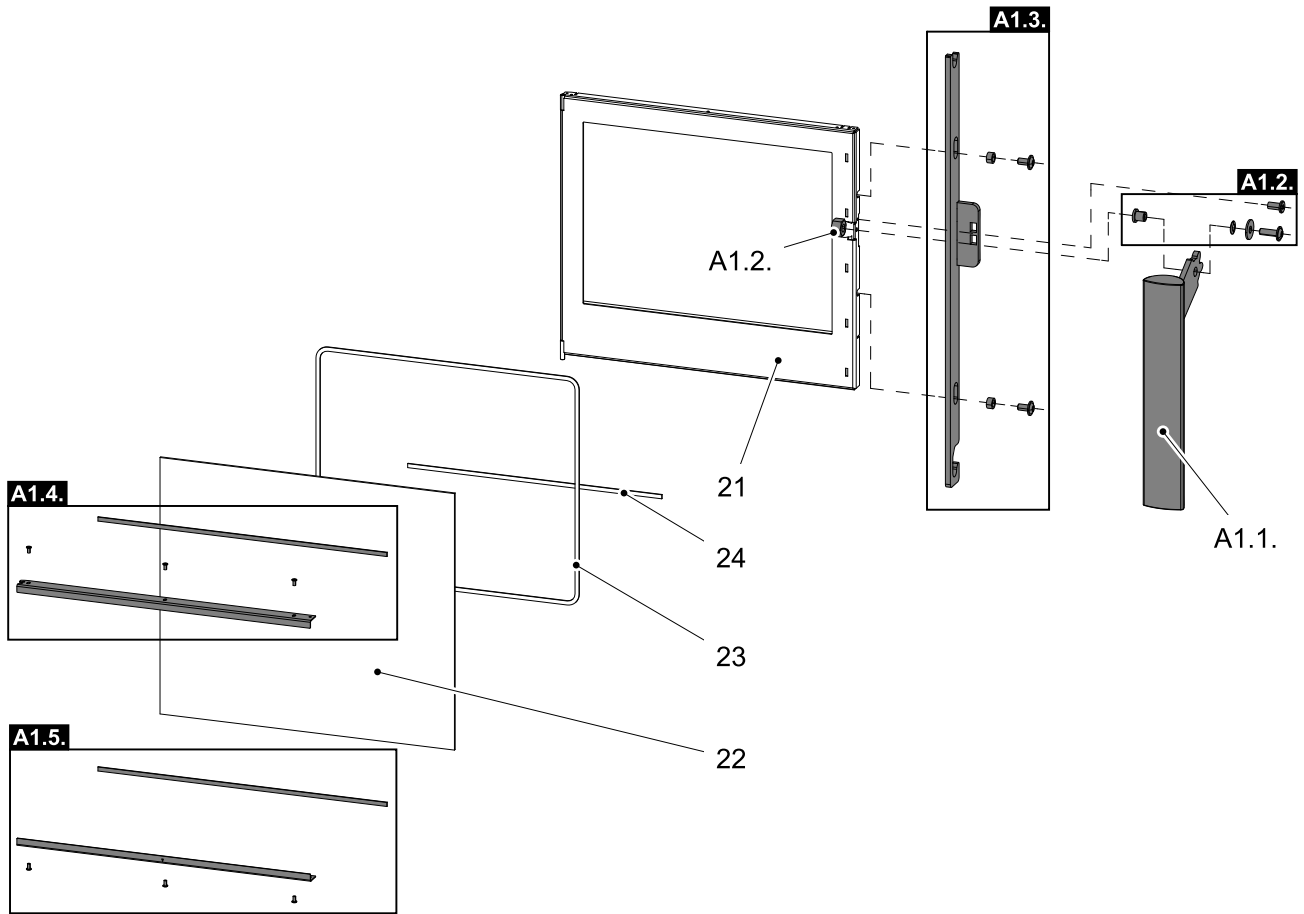


Item	Name	Quantity	Number of goods
Overall scheme of the model			
A1	Fire-box door (complete)/anthracite	1 piece	0434715005300
A1	Fire-box door (complete)/anthracite, black-glossy	1 piece	0434715025300
A2	Oven door (complete)/anthracite	1 piece	0434715305300
A2	Oven door (complete)/anthracite, black-glossy	1 piece	0434715316300
B1	Easycontrol – Set	1 piece	0434715565023
B2	Fire-box door suspension (complete)	1 piece	0434715506114
1	Grille	1 piece	0434715305020

2	External air input (Ø100)	1 piece	0088500050008
3	Door spring	1 piece	0434715005316
4	Rear cover/anthracite	1 piece	0434715505040
5a	Side wall right/anthracite	1 piece	0434715315200
5b	Side wall C right/anthracite-metallic	1 piece	0434715315100
6a	Side wall left/anthracite	1 piece	0434715315300
6b	Side wall C left/anthracite-metallic	1 piece	0434715315110
7a	Cover plate/anthracite	1 piece	0434715305800
7b	Cover plate/anthracite	1 piece	0434715315800
8	Grate/anthracite	1 piece	0020100135022
9	Ashpan	1 piece	0434715005700
10	Protection/anthracite	1 piece	0434715005013
11	Screen loose (560x240x30)	1 piece	0434715005510
12	Screen loose — rear (340x130x30)	1 piece	0434715005507
13	Brick 198x292x30	2 piece	0434715005501
14	Brick 330x193x30	1 piece	0434715005503
15	Brick 330x193x30	1 piece	0434715005509
16	Brick 130x190x30	2 piece	0434715005504
17	Brick 264x35x30	1 piece	0434715005505
18	Brick 250x60x30	2 piece	0434715005506
19	Door sealing cord 12 mm (2050 mm)	1 piece	0040012120005
20	Door sealing cord 12 mm (510 mm)	1 piece	0040012120005

3.2. Detail A1

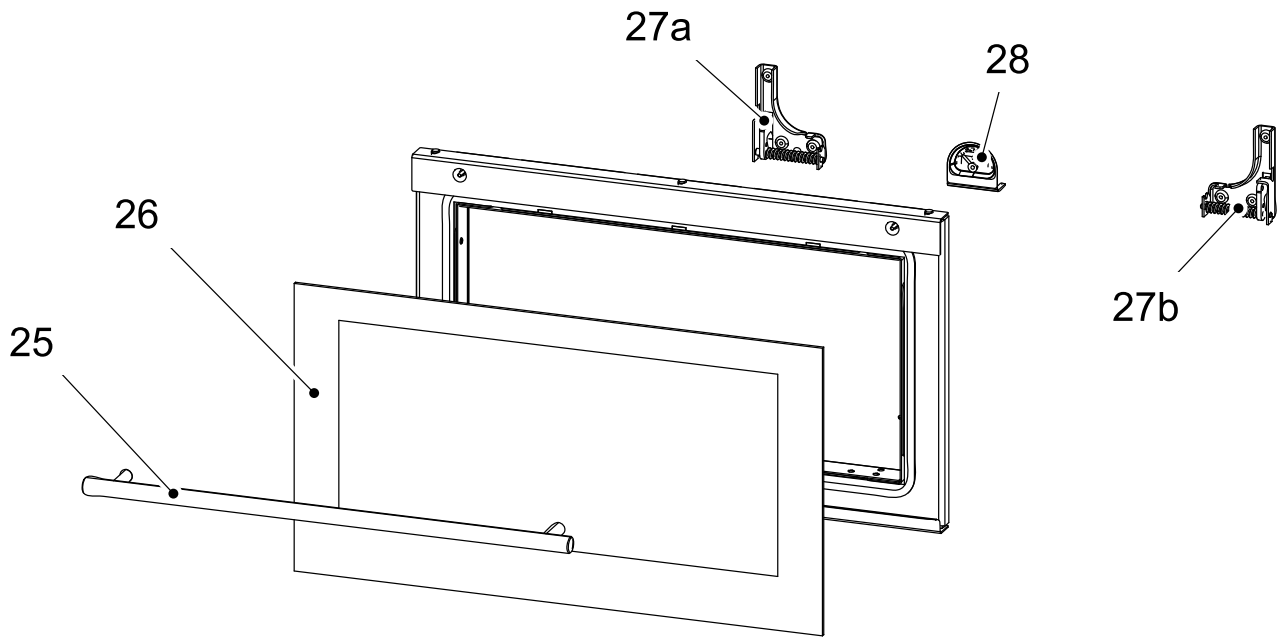
List of spare parts



Item	Name	Quantity	Number of goods
Detail A1			
A1.1.	Fire-box door lever lock (complete)	1 piece	0434715006320
A1.2.	Handle connecting material — set	1 piece	0434715005012
A1.3.	Closing mechanism drawbar — set/anthracite	1 piece	0434715007325
A1.4.	Upper glass holder — set/anthracite	1 piece	0434715005311
A1.4.	Upper glass holder — set/anthracite, black-glossy	1 piece	0434715015311
A1.5.	Lower glass holder — set/anthracite	1 piece	0434715005310
A1.5.	Lower glass holder — set/anthracite, black-glossy	1 piece	0434715015310
21	Fire-box door (welded part)/anthracite	1 piece	0434715005200
22	Refractory glass (512x591)	1 piece	0434715005301
23	Glass sealing cord 6 mm (1950 mm)	1 piece	0040406000006
24	Glass sealing cord 6 mm (510 mm)	1 piece	0040406000006

GB

3.3. Detail A2



Item	Name	Quantity	Number of goods
Detail A2			
25	Handle — set	1 piece	0429112006385
26	Glass	1 piece	0434715305301
27a	Hinge left	1 piece	0434715305310
27b	Hinge right	1 piece	0434715305311
28	Thermometer	1 piece	0434715305308

4. Cleaning and maintenance

Clean the oven after each use to prevent it from being contaminated. Remove grease with soapy water or detergent before the oven cools down. For difficult-to-remove dirt, use a standard oven and grill cleaner. Wipe off any detergent residue dry. When cleaning, do not use abrasive cleaners such as a scouring powder, a wire sponge or a rust remover. Use warm soapy water to clean the accessories.



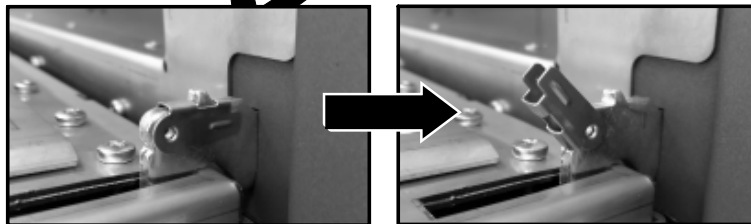
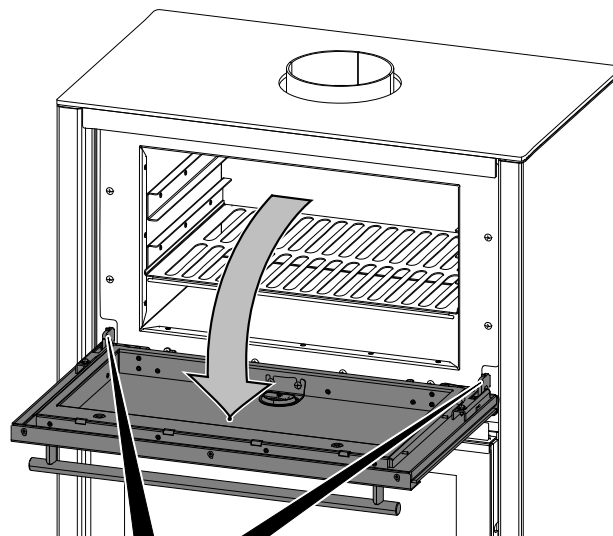
Note

Do not use the oven for drying textiles! It is used only for food preparation.

The inside of the oven is made of stainless steel and long-term heat can change the colour of the surface. This is due to the material used and cannot be completely prevented, so it cannot give rise to a complaint.

4.1. Removing the oven door

- Fully open the oven door
- Unlock the hinge quick releases
- Close slowly the oven door
- This releases the hinges from the lock
- Remove then the oven door



4.2. Assembling the oven door

- Fit the door hinges
- Open slowly the door to the limits
- Lock both hinge quick releases
- Close the door

4.3. Thermometer



The thermometer in the oven door shows the current temperature inside the oven with a slight deviation.

4.4. Cleaning the flue gas passes - annual maintenance

