

# **Extrablame**®

## Riscaldamento a Pellet

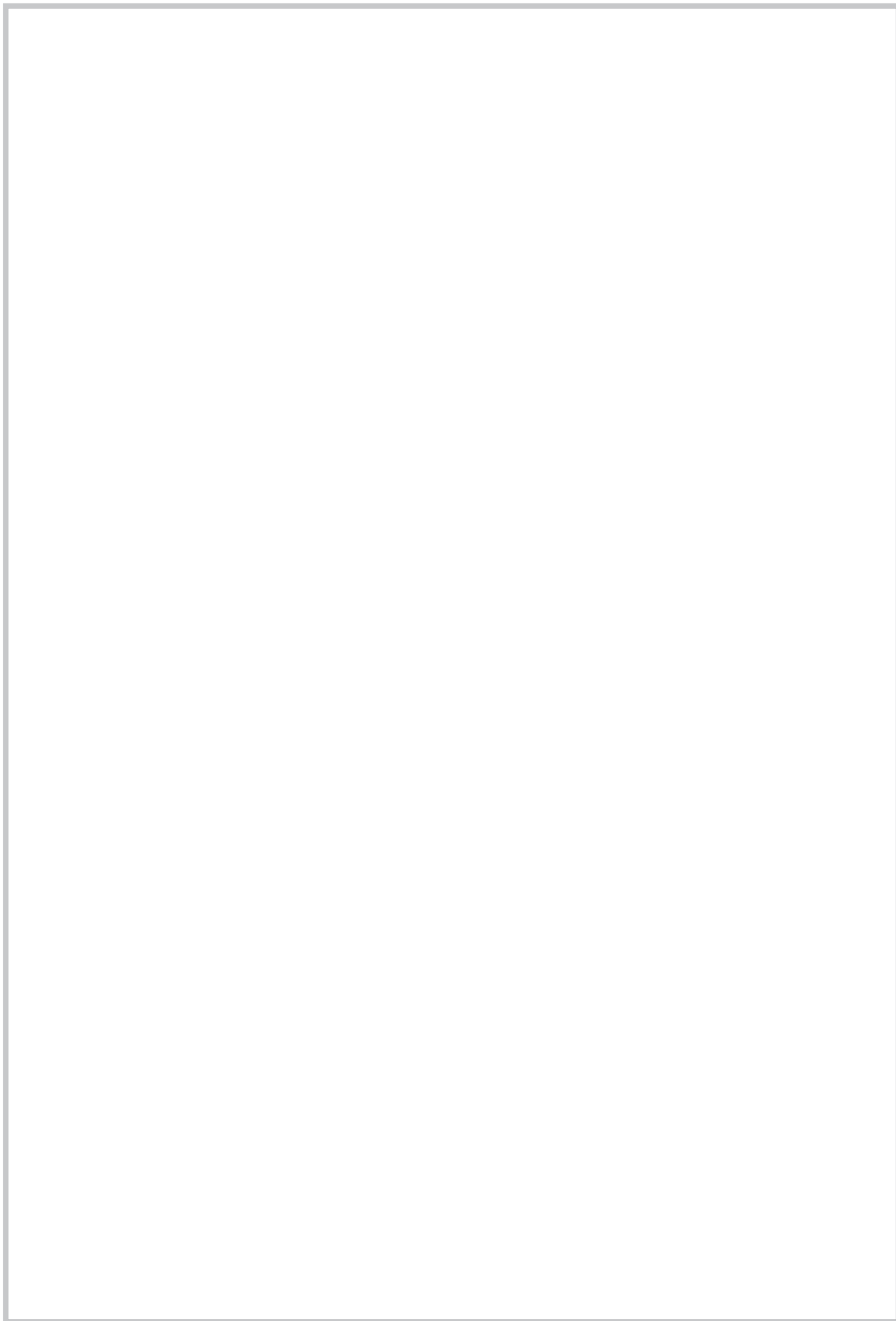


UK

**MADE IN ITALY**  
design & production

## PELLET STOVES USER MANUAL DEBBY EVO - DEBBY PLUS EVO

004281979 - Rev.000



**⚠ ATTENTION**



**SURFACES CAN BECOME VERY HOT!  
ALWAYS USE PROTECTIVE GLOVES!**

*During combustion, thermal energy is released that significantly increases the heat of surfaces, doors, handles, controls, glass, exhaust pipes, and even the front of the appliance. Avoid contact with those elements if not wearing protective clothing (protective gloves included). Make sure children are aware of the danger and keep them away from the stove during operation.*

<b>ENGLISH</b> .....	<b>5</b>
<b>WARNINGS</b> .....	<b>5</b>
<b>SAFETY</b> .....	<b>5</b>
<b>ROUTINE MAINTENANCE</b> .....	<b>7</b>
<b>INSTALLATION</b> .....	<b>8</b>
PREPARATIONS FOR MAINTENANCE.....	8
<b>HERMETICALLY SEALED INSTALLATION</b> .....	<b>10</b>
COMBUSTION AIR.....	10
FUMES EXHAUST SYSTEM.....	10
<b>UPPER FUMES OUTLET ASSEMBLY</b> .....	<b>11</b>
<b>REAR FUMES OUTLET ASSEMBLY</b> .....	<b>12</b>
<b>DETAILS DEBBY EVO</b> .....	<b>13</b>
<b>DETAILS DEBBY PLUS EVO</b> .....	<b>14</b>
<b>NOTES FOR CORRECT OPERATION</b> .....	<b>15</b>
FUSE.....	15
BULB THERMOSTAT REACTIVATION.....	15
<b>HOT AIR DUCTING</b> .....	<b>16</b>
ADDITIONAL THERMOSTAT TO CONTROL THE DUCT MOTOR.....	16
<b>COMBUSTION AIR</b> .....	<b>16</b>
<b>OPERATION IN AIR DUCTING WITH THERMOSTAT OR PROBE (OPTIONAL)</b> .....	<b>17</b>
<b>PELLETS AND LOADING</b> .....	<b>18</b>
<b>PELLET HOPPER</b> .....	<b>18</b>
<b>EMERGENCY MODULE</b> .....	<b>19</b>
<b>RADIO CONTROL</b> .....	<b>20</b>
CONFIGURATION.....	20
RADIO CONTROL DEVICE ROOM PROBE CALIBRATION.....	20
BATTERY TYPE AND REPLACEMENT.....	20
<b>RADIO CONTROL DEVICE FEATURES</b> .....	<b>21</b>
<b>DISPLAY</b> .....	<b>22</b>
<b>GENERAL MENU</b> .....	<b>23</b>
GENERAL WARNINGS.....	23
<b>FIRST IGNITION SETTINGS</b> .....	<b>24</b>
DATE/TIME.....	24
LANGUAGE.....	24
CHIMNEY FLUE TYPE.....	24
DEGREES.....	24
<b>OPERATION AND LOGIC</b> .....	<b>25</b>
<b>MODE</b> .....	<b>26</b>
<b>VENTILATION</b> .....	<b>26</b>
<b>AIR DUCTING (PLUS ONLY)</b> .....	<b>26</b>
<b>AIR ZONE CONTROL (PLUS ONLY)</b> .....	<b>27</b>
<b>EASY SETUP</b> .....	<b>27</b>
<b>CHRONO</b> .....	<b>27</b>
ENABLING.....	28
CHRONO MODE.....	28
PRG 1-4.....	28
EXAMPLE.....	29
CHRONO TIME SLOT.....	29
MANUAL.....	29
AUTOMATIC.....	29
AUX.....	29
<b>SETTINGS</b> .....	<b>30</b>
DISPLAY.....	30
STAND-BY.....	30
OPERATION WITH ADDITIONAL THERMOSTAT (OPTIONAL).....	30
DELTA-T.....	31
FIRST LOAD.....	31
CLEANING.....	31
RESET.....	31
EASY CONTROL.....	31
RADIO PROBE.....	31
DEPRESSURE NOTICE.....	31
<b>ADDITIONAL FUNCTIONS</b> .....	<b>32</b>
ADDITIONAL THERMOSTAT INSTALLATION (OPTIONAL).....	32
DELAY SWITCH-OFF.....	32
<b>CLEANING AND MAINTENANCE</b> .....	<b>33</b>
<b>MAINTENANCE</b> .....	<b>33</b>
PERIODIC CLEANING UNDER USER'S RESPONSIBILITY.....	33
<b>ROUTINE MAINTENANCE PERFORMED BY QUALIFIED TECHNICIANS</b> .....	<b>35</b>
SHUT-DOWN (END OF SEASON).....	35
<b>DISPLAYS</b> .....	<b>39</b>
<b>ALARMS</b> .....	<b>39</b>
<b>DISPOSAL</b> .....	<b>41</b>

**IT - ATTENZIONE TASSATIVO  
PRIMA DI MOVIMENTARE LA STUFA  
TOGLIERE IL RIVESTIMENTO INDICATO  
PER EVITARE DANNI.**

**EN - WARNING  
BEFORE HANDLING THE STOVE, THE  
COVERING INDICATED MUST BE REMOVED  
TO AVOID DAMAGE.**

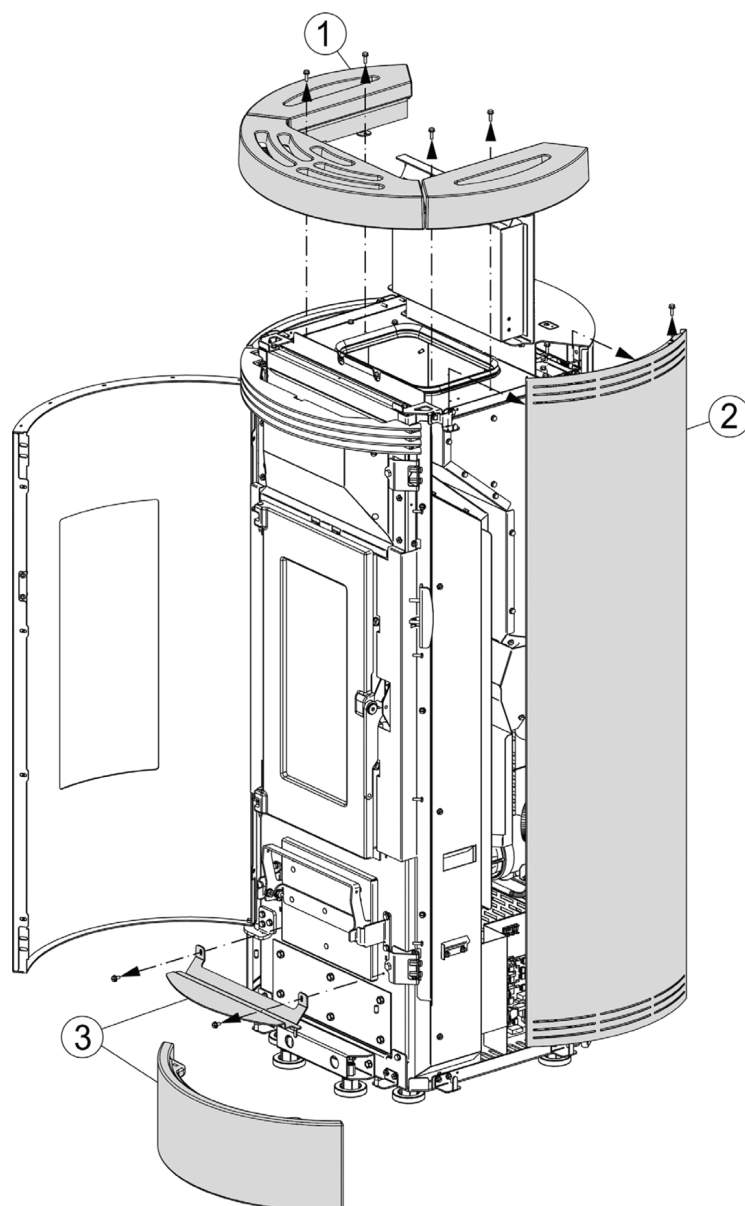
**FR - ATTENTION IMPÉRATIF  
AVANT DE DÉPLACER LE POÊLE, RETIRER  
LE REVÊTEMENT INDIQUÉ  
POUR ÉVITER TOUT DOMMAGE.**

**DE - ACHTUNG PFLICHT  
BEVOR DER OFEN BEWEGT WIRD, MUSS DIE  
ANGEZEIGTE VERKLEIDUNG ENTFERNT WER-  
DEN, UM SCHÄDEN ZU VERMEIDEN.**

**ES - ATENCIÓN TAXATIVO  
ANTES DE MANEJAR LA ESTUFA QUITA EL  
REVESTIMIENTO INDICADO  
PARA EVITAR DAÑOS.**

**PT - ATENÇÃO OBRIGATÓRIO  
ANTES DE MOVIMENTAR O AQUECEDOR,  
RETIRAR O REVESTIMENTO INDICADO  
PARA EVITAR DANOS.**

**DK - OBS  
FJERN DET ANGIVNE DÆKSEL, INDEN  
OVNEN FLYTTES  
FOR AT UNDGÅ SKADE.**



*We thank you for having chosen our company; our product is a great heating solution developed from the most advanced technology with top quality machining and modern design, aimed at making you enjoy the fantastic sensation that the heat of a flame gives, in complete safety.*

## **WARNINGS**

This instructions manual is an integral part of the product: make sure that it always accompanies the appliance, even if transferred to another owner or user, or if transferred to another place. If it is damaged or lost, request another copy from the area technician. This product is intended for the use for which it has been expressly designed. The manufacturer is exempt from any liability, contractual and extracontractual, for injury/damage caused to persons/animals and objects, due to installation, adjustment and maintenance errors and improper use.

**Installation must be performed by qualified staff, which assumes complete responsibility for the definitive installation and consequent good functioning of the product installed. One must also bear in mind all laws and national, regional, provincial and town council Standards present in the country in which the appliance has been installed, as well as the instructions contained in this manual.**

**The use of the appliance must comply with all local, regional, national and European regulations.**

**The Manufacturer cannot be held responsible for the failure to comply with such precautions.**

**After removing the packaging, ensure that the content is intact and complete. Otherwise, contact the dealer where the appliance was purchased. All electric components that make up the product must be replaced with original spare parts exclusively by an authorised after-sales centre, thus guaranteeing correct functioning.**

## **SAFETY**

**♦ THE APPLIANCE MAY BE USED BY CHILDREN 8 YEARS OF AGE OR OLDER AND INDIVIDUALS WITH REDUCED PHYSICAL, SENSORY, OR MENTAL CAPACITIES OR WITHOUT EXPERIENCE OR THE NECESSARY KNOWLEDGE, PROVIDED THAT THEY ARE SUPERVISED OR HAVE**

RECEIVED INSTRUCTIONS ON SAFE USE OF THE APPLIANCE AND THAT THEY UNDERSTAND THE INHERENT DANGERS.

- ◆ THE GENERATOR MUST NOT BE USED BY PERSONS (INCLUDING CHILDREN) WITH REDUCED PHYSICAL, SENSORY AND MENTAL CAPACITIES OR WHO ARE UNSKILLED PERSONS, UNLESS THEY ARE SUPERVISED AND TRAINED REGARDING USE OF THE APPLIANCE BY A PERSON RESPONSIBLE FOR THEIR SAFETY.
- ◆ THE CLEANING AND MAINTENANCE REQUIRED BY THE USER MUST NOT BE PERFORMED BY CHILDREN WITHOUT SUPERVISION.
- ◆ CHILDREN MUST BE CHECKED TO ENSURE THAT THEY DO NOT PLAY WITH THE APPLIANCE.
- ◆ DO NOT TOUCH THE GENERATOR WHEN YOU ARE BAREFOOT OR WHEN PARTS OF THE BODY ARE WET OR DAMP.
- ◆ IT IS FORBIDDEN TO MODIFY THE APPLIANCE IN ANY WAY.
- ◆ DO NOT PULL, REMOVE, TWIST THE ELECTRICAL CABLES COMING OUT OF THE PRODUCT EVEN IF IT IS DISCONNECTED FROM THE MAINS.
- ◆ IT IS ADVISED TO POSITION THE POWER SUPPLY CABLE SO THAT IT DOES NOT COME INTO CONTACT WITH HOT PARTS OF THE APPLIANCE.
- ◆ THE POWER SUPPLY PLUG MUST BE ACCESSIBLE AFTER INSTALLATION.
- ◆ DO NOT CLOSE OR REDUCE THE DIMENSIONS OF THE AIRING VENTS IN THE PLACE OF INSTALLATION. THE AIRING VENTS ARE ESSENTIAL FOR CORRECT COMBUSTION.
- ◆ DO NOT LEAVE THE PACKAGING ELEMENTS WITHIN REACH OF CHILDREN OR UNASSISTED DISABLED PERSONS.
- ◆ THE HEARTH DOOR MUST ALWAYS BE CLOSED DURING NORMAL FUNCTIONING OF THE PRODUCT.
- ◆ WHEN THE APPLIANCE IS FUNCTIONING AND HOT TO THE TOUCH, ESPECIALLY ALL EXTERNAL SURFACES, ATTENTION MUST BE PAID
- ◆ CHECK FOR THE PRESENCE OF ANY OBSTRUCTIONS BEFORE SWITCHING THE APPLIANCE ON FOLLOWING A PROLONGED PERIOD OF INACTIVITY.
- ◆ THE GENERATOR HAS BEEN DESIGNED TO ADJUST ITSELF AUTOMATICALLY IN PARTICULAR OPERATING CONDITIONS
- ◆ THE GENERATOR HAS BEEN DESIGNED TO FUNCTION IN ANY CLIMATIC CONDITION. IN PARTICULARLY ADVERSE CONDITIONS

**(STRONG WIND, FREEZING) SAFETY SYSTEMS MAY INTERVENE THAT SWITCH THE GENERATOR OFF. IF THIS OCCURS, CONTACT THE TECHNICAL AFTER-SALES SERVICE AND ALWAYS DISABLE THE SAFETY SYSTEMS.**

♦ **IN THE EVENT THE FLUE CATCHES FIRE, USE SUITABLE SYSTEMS FOR SUFFOCATING THE FLAMES OR REQUEST HELP FROM THE FIRE BRIGADE.**

♦ **THIS APPLIANCE MUST NOT BE USED TO BURN WASTE**

♦ **DO NOT USE ANY FLAMMABLE LIQUIDS FOR IGNITION**

♦ **DURING THE FILLING PHASE DO NOT PUT THE BAG OF PELLETS TO INTO CONTACT WITH THE PRODUCT**

♦ **THE MAJOLICAS ARE TOP QUALITY ARTISAN PRODUCTS AND AS SUCH CAN HAVE MICRO-DOTS, CRACKLES AND CHROMATIC IMPERFECTIONS. THESE FEATURES HIGHLIGHT THEIR VALUABLE NATURE. DUE TO THEIR DIFFERENT DILATION COEFFICIENT, THEY PRODUCE CRACKLING, WHICH DEMONSTRATE THEIR EFFECTIVE AUTHENTICITY. TO CLEAN THE MAJOLICAS, IT IS RECOMMENDED TO USE A SOFT, DRY CLOTH. IF A DETERGENT OR LIQUID IS USED, THE LATTER COULD PENETRATE INSIDE THE CRACKLES, HIGHLIGHTING THEM.**

♦ **SINCE THE PRODUCT CAN TURN ON AUTOMATICALLY THANKS TO THE TIMER, OR REMOTELY USING THE DEDICATED APPLICATIONS, IT IS STRICTLY FORBIDDEN TO LEAVE ANY COMBUSTIBLE OBJECT WITHIN THE SAFETY DISTANCES INDICATED ON THE TECHNICAL DATA PLATE.**

♦ **INTERNAL COMBUSTION CHAMBER PARTS CAN BE SUBJECT TO EXTETICAL WARN, IT DOESN'T AFFECT THE FUNCTIONALITY**

## **ROUTINE MAINTENANCE**

Based on Decree 22 January 2008 n°37 art.2, routine maintenance means interventions aimed at reducing degradation due to normal use, as well as dealing with accidental events entailing the need of first interventions, which however do not modify the structure of the system upon which one is intervening or its intended use according to the requirements laid down by the technical standards in force and by the manufacturer's use and maintenance manual.

## INSTALLATION

### GENERAL

The flue gas exhaust and hydraulic connections must be carried out by qualified personnel who must issue installation conformity documentation compliant with national standards.

**The installer must provide the owner or person acting for him, according to the legislation in force, with the declaration of conformity, supplied with:**

- 1) the use and maintenance manual of the appliance and of the system components (such as for example, the smoke ducts, chimney, etc.);
- 2) photocopy or photograph of the chimney plaque;
- 3) system booklet (where applicable).

*The installer must ask to be issued with a receipt stating that the documentation has been provided, and must keep it with a copy of the technical documentation relating to the installation.*

For installation in a condominium, prior approval from the condominium's administrator must be requested.

Where required, check the exhaust gas emissions after installation. Should a sampling point be installed, it must be airtight.

### COMPATIBILITY

Do not install in rooms with a fire hazard. It is also forbidden to install it in living areas with the following characteristics:

1. where there are liquid fuel appliances with continuous or discontinuous operation that draw the combustion air into the room in which they are installed.
2. where there are type B gas appliances intended for heating, with or without domestic hot water production and in adjacent and communicating rooms.
3. where the depression measured in situ between the external and internal environment is greater than 4 Pa.

N.B.: Watertight appliances can also be installed in the cases indicated in points 1, 2 and 3 of this paragraph.

### INSTALLATIONS IN BATHROOMS, BEDROOMS AND STUDIO FLATS

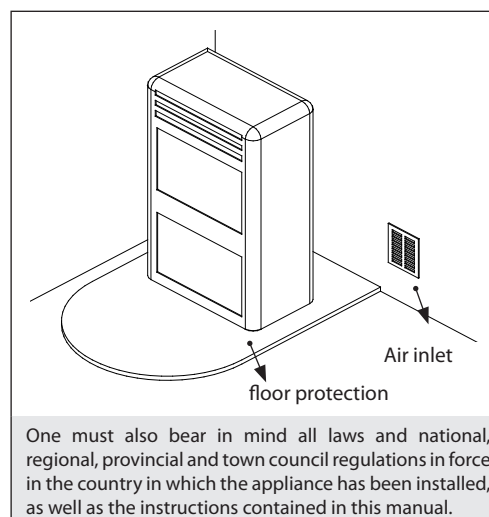
Installation in bathrooms, bedrooms and studio flats is only allowed for sealed or closed hearth appliances with ducted combustion air taken from the outside.

### POSITIONING AND SAFETY DISTANCES

The support surfaces and/or points must have a suitable capacity to bear the overall weight of the appliance, accessories and coverings. If the floor is made of a combustible material, we recommend using a non-combustible material to protect the front part from any burnt material which might fall during routine cleaning operations. The generator must be level to function properly. The side walls, the rear walls and the floor support surface should be made of non-combustible material.

### MINIMUM DISTANCES (PELLET STOVES)

Installation next to flammable or heat-sensitive materials is permitted **only if the special safety distances specified on the label at the beginning of the manual (pag.2) are observed**. If the materials are not flammable, you must keep a side and rear distance of at least 100 mm (without the inserts). For products equipped with rear spacers, wall-mounting installation is permitted exclusively for the rear side.



### PREPARATIONS FOR MAINTENANCE

To carry out extraordinary maintenance operations on the product, it may be necessary to move it away from the adjacent walls. This must be done by a technician authorised to disconnect the combustion product evacuation ducts and then reconnect them. For heaters connected to the hydraulic system, the connection between the system itself and the product must be made in such a way that, when an authorised technician is about to carry out extraordinary maintenance operations, it is possible to move the heater at least 1 metre away from the adjacent walls.

### INSTALLING INSERTS

When installing inserts, access must be prevented to the internal parts of the appliance and it must not be possible to access live parts during extraction operations.

Any wiring, for example the power cable or room probe, must be positioned so as not to be damaged during movement of the insert and must not come into contact with hot parts. If a cavity made of combustible material is installed, we recommend taking all the safety precautions indicated by the installation standards.

### VENTILATION AND AERATION OF INSTALLATION ROOMS

In case of non-airtight heater and/or installation, the ventilation must respect the minimum area indicated below (considering the highest value among those provided):

Appliance categories	Reference standard	Percentage of the net opening section with respect to the appliance fumes outlet section	Minimum net opening value of the ventilation duct
Pellet stoves	UNI EN 14785	-	80 cm <sup>2</sup>
Boilers	UNI EN 303-5	50%	100 cm <sup>2</sup>

**Under any condition, including in the presence of extractor hoods and/or of controlled forced ventilation systems, the pressure difference between the generator installation rooms and the outside must always be equal to or less than 4 Pa.**



In the presence of type B gas appliances with intermittent operation not intended for heating, they must have their own aeration and/or ventilation opening.

The air inlets must meet the following requirements:

- ♦ they must be protected with grids, metal mesh, etc., but without reducing the net useful section;
- ♦ they must be made so as to make the maintenance operations possible;
- ♦ positioned so that they cannot be obstructed;

The clean and non-contaminated air flow can also be obtained from a room adjacent to that of installation (indirect aeration and ventilation), as long as the flow takes place freely through permanent openings communicating with the outside.

The adjacent room cannot be used as a garage, or to store combustible material or for any other activity with a fire hazard, bathroom, bedroom or common room of the building.

## FLUE GAS EXHAUST

The heat generator works in depression and is equipped with an outlet fan for flue gas extraction. There must be a single exhaust system for the generator. Using a flue that is shared with other devices is not allowed.

The components of the flue gas exhaust system must be chosen in relation to the type of appliance to be installed in compliance with:

- ♦ UNI/TS 11278 in the event of metal chimneys, with particular attention to that stated in the specification;
- ♦ UNI EN 13063-1 and UNI EN 13063-2, UNI EN 1457, UNI EN 1806 in the event of non-metallic chimneys.
- ♦ The length of the horizontal section must be minimal and, in any case, no longer than 3 metres, with a minimum upward slope of 3%
- ♦ There must not be more than 4 direction changes including the one due to the use of the "T" element.
- ♦ A "T" fitting with a condensation collection cap must be provided at the base of the vertical section.
- ♦ If the exhaust is not inserted in an existing flue, a vertical section with a windproof end piece is required (UNI 10683).
- ♦ The vertical duct can be inside or outside the building. If the smoke duct is inserted in an existing flue, it must be certified for solid fuel.
- ♦ If the smoke duct is outside the building, it must always be insulated.
- ♦ The smoke ducts must have at least one airtight inlet for flue gas sampling.
- ♦ All the sections of the flue gas duct must be accessible to inspection.
- ♦ Inspection openings must be provided for cleaning.
- ♦ If the generator has a fume temperature lower than 160°C+ ambient temperature caused by the high yield (contact technicians) it MUST be resistant to humidity.
- ♦ A flue system that does not respect the previous points or, in general, that does not comply with the regulations, may cause condensation phenomena inside it.

## CHIMNEY CAP

The chimney caps must meet the following requirements:

- ♦ they must have a useful outlet section no less than double that of the chimney/ducted system on which it is installed;
- ♦ they must be adapted in order to prevent the penetration of rain and snow in the chimney/ducted system;
- ♦ they must be built so that, in the event of winds coming from all directions and from any angle, the expulsion of combustion products is in any case ensured;

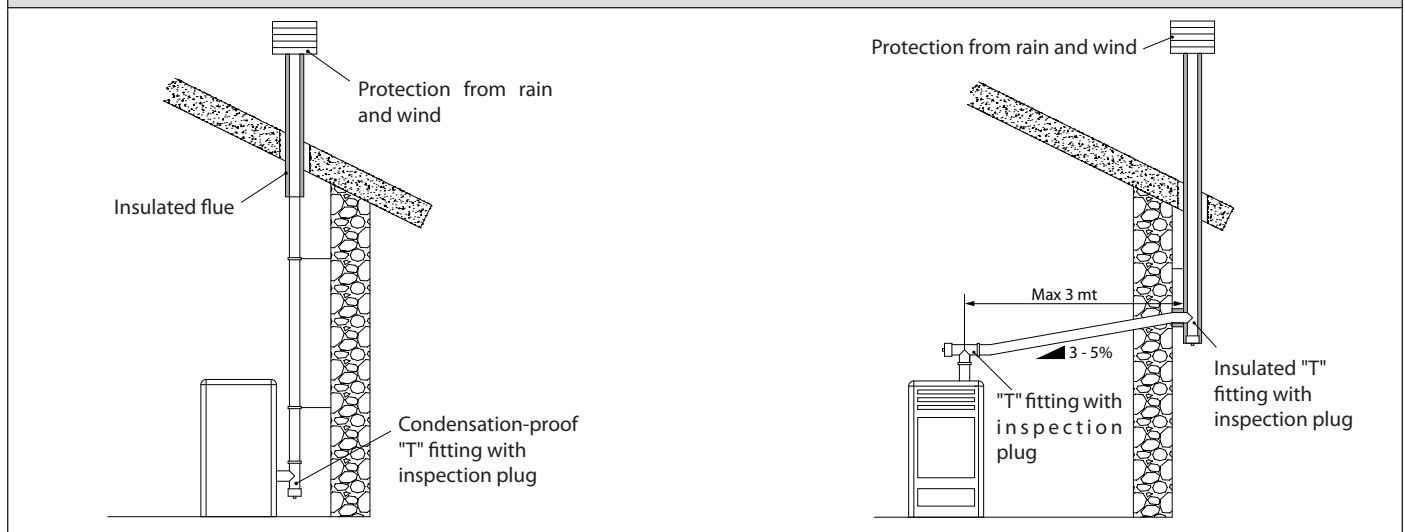
## FOR GERMANY ONLY

**The product can be connected to a shared flue** (multi-connection) provided that the requirements of the regional and national regulations, amongst which DIN EN 13384-2, DIN V 18160-1, DIN 18896 and of the MFeuV-2007 (Muster-Feuerungsverordnung) are strictly complied with, and that the local chimney sweep has checked and approved the installation conditions.

Please also remember the following indications, which the end user must comply with:

- The device can be operated only with the doors closed.
- The doors and all setting devices must remain closed when the device is not on (except for cleaning and maintenance operations).

## EXAMPLES OF CORRECT CONNECTION TO THE CHIMNEY



## CONNECTION TO THE MAINS ELECTRIC SUPPLY

The generator is supplied with an electric power cable to be plugged into a 230V 50 Hz socket, possibly with a circuit breaker switch. The socket must be easily accessible.

The electrical system must be compliant with standards. The efficiency of the earthing circuit must be checked. Unsuitable earthing of the system can cause malfunctioning for which the manufacturer will not be held liable.

Power supply variations beyond 10% can cause faulty operation of the product.

## HERMETICALLY SEALED INSTALLATION

The generator is a fully sealed product with respect to the environment in which it is installed. This means that it is ideal for passive houses because it does not take air in from within the house.

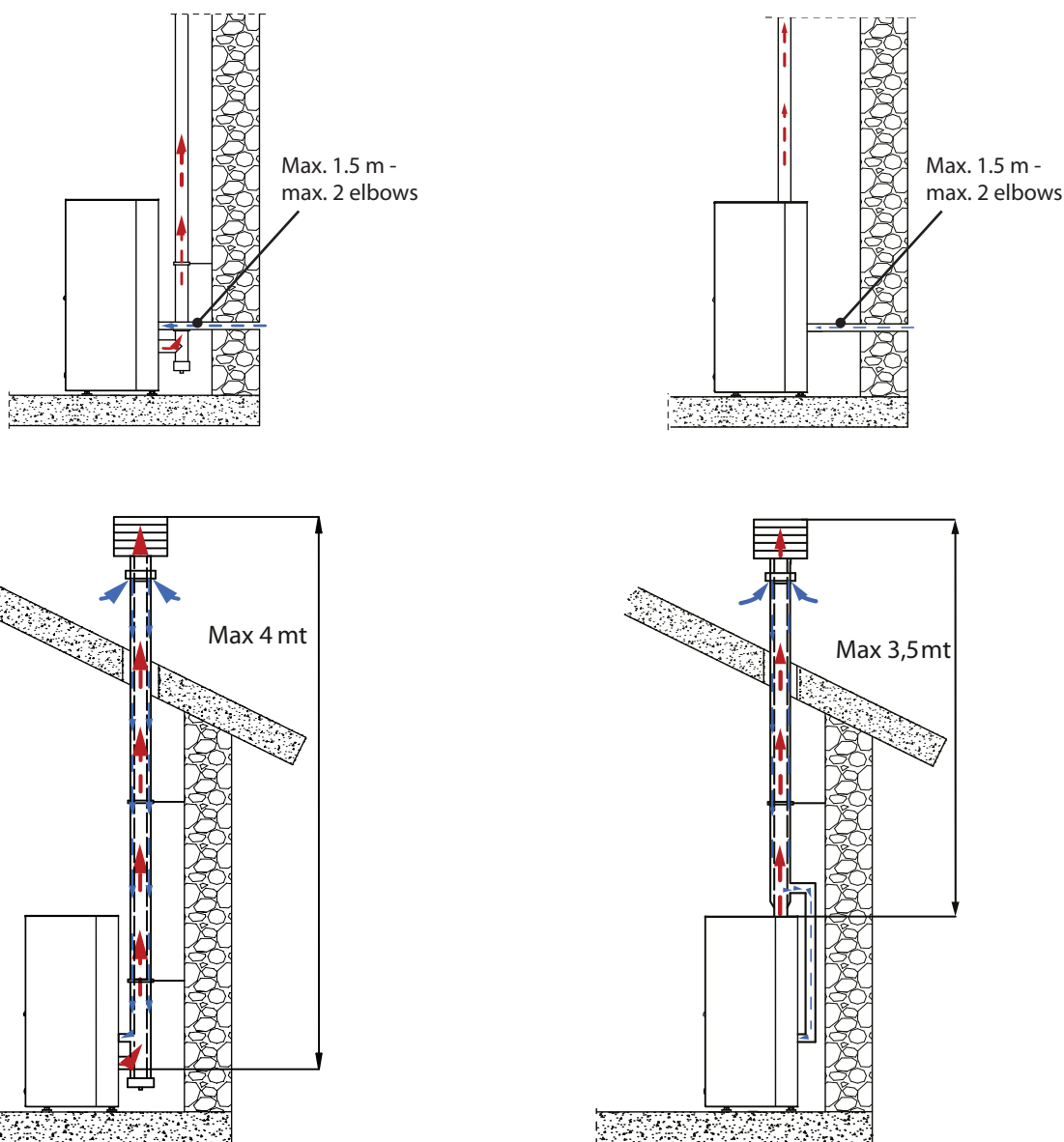
### COMBUSTION AIR

To ensure the stove remains hermetically sealed, the connection pipe for the combustion air must be directly connected to the exterior, using special pipes and sealed connectors.

### FUMES EXHAUST SYSTEM

- If the generator has a fumes temperature of less than 160°C+ room temperature due to the high performance (refer to technical data), the fumes exhaust system must be completely waterproof.
- If there is a possibility that fumes may condense, an external inspection hatch must be fitted.

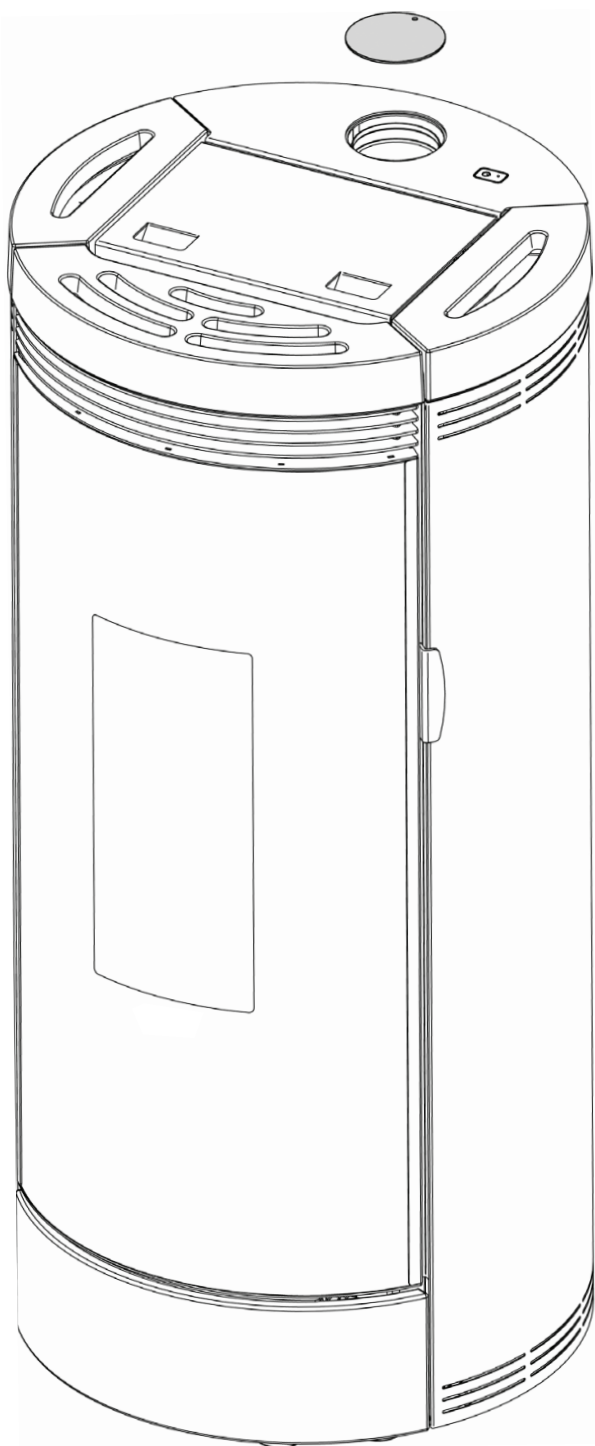
### INSTALLATION EXAMPLE



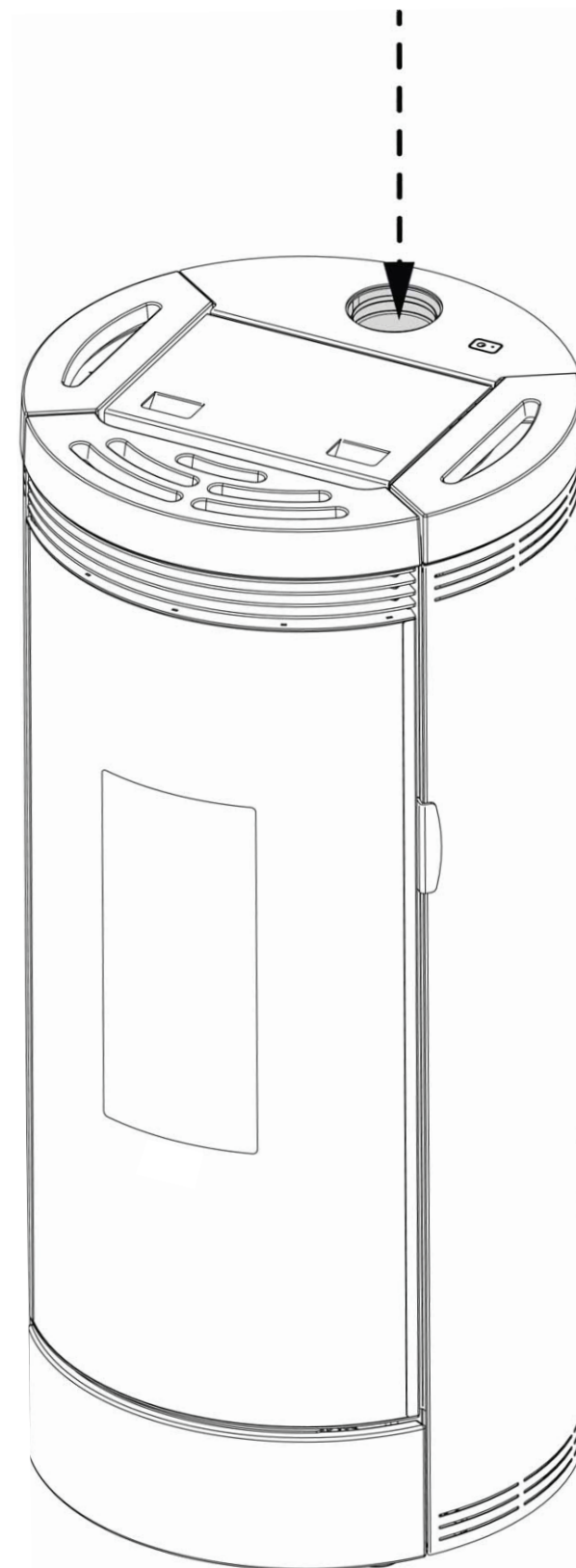
One must also bear in mind all laws and national, regional, provincial and town council regulations in force in the country in which the appliance has been installed, as well as the instructions contained in this manual.

## UPPER FUMES OUTLET ASSEMBLY

1. Remove the cover.

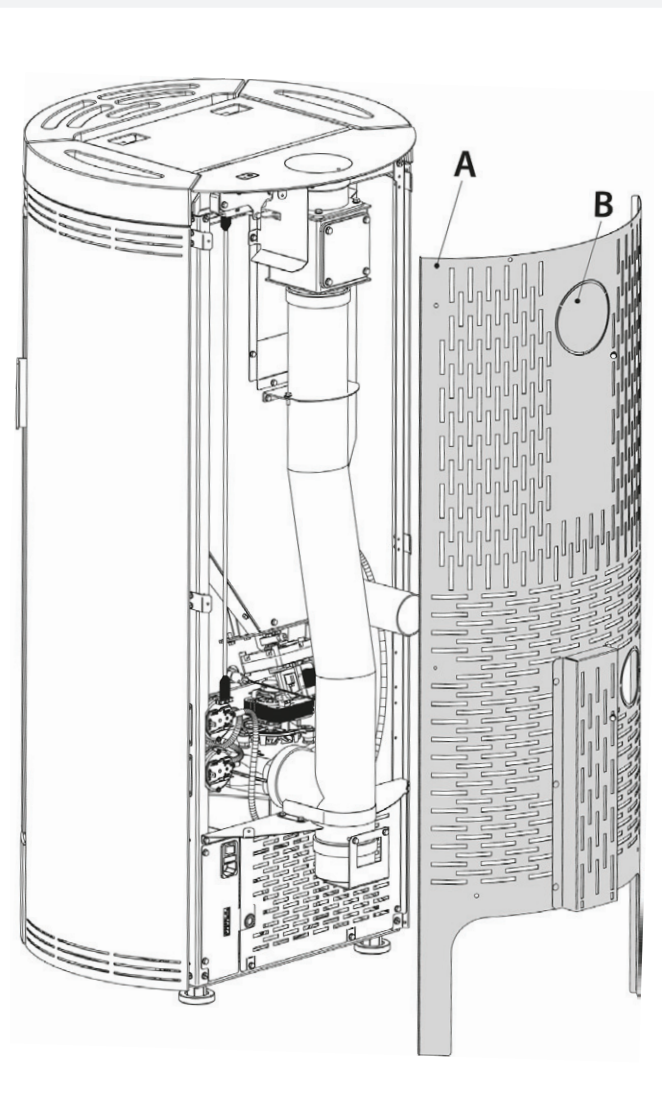


2. Insert the fumes exhaust pipe (not supplied).

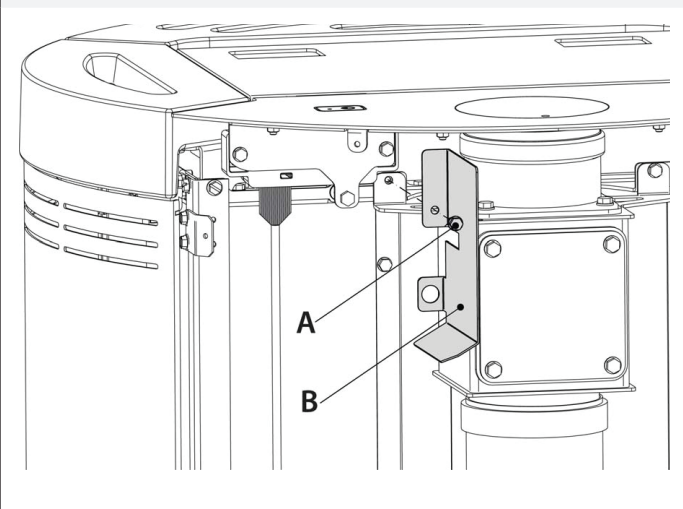


## REAR FUMES OUTLET ASSEMBLY

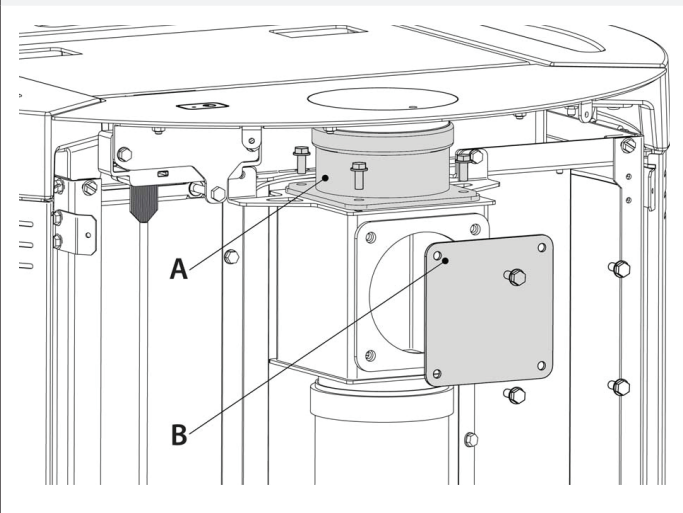
1. Remove the back panel (A) and cut the hole for the rear outlet (B).



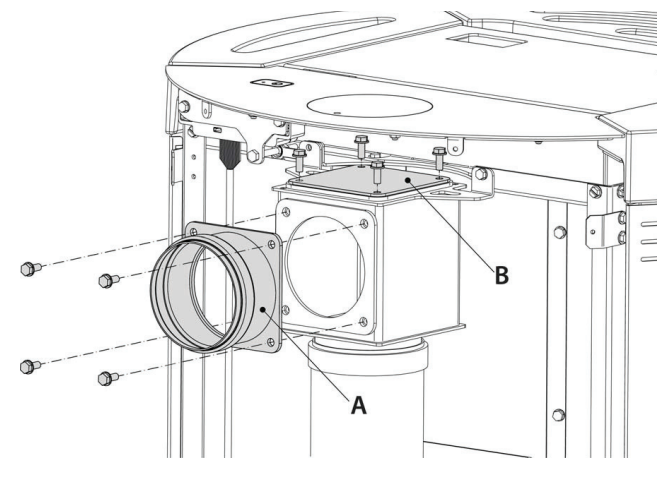
2. Remove the screw (A) and the cover (B).



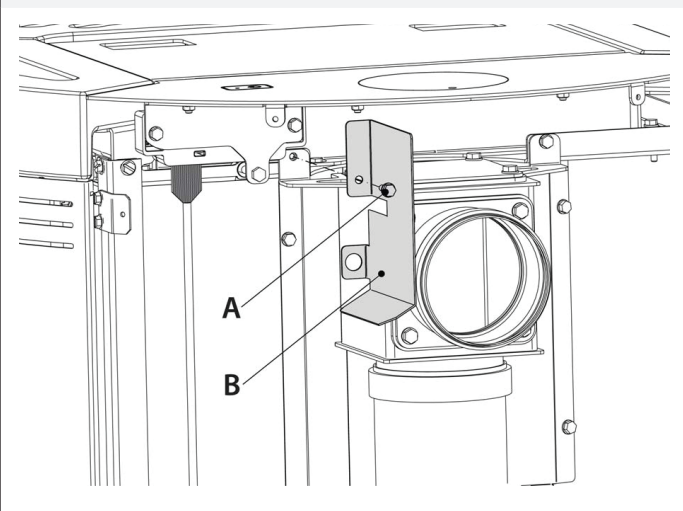
3. Remove the screws, the female inlet (A) and the cap (B).



4. Position the previously removed cap (B) and fasten it in the top hole. Secure the female inlet (A) in the rear hole.

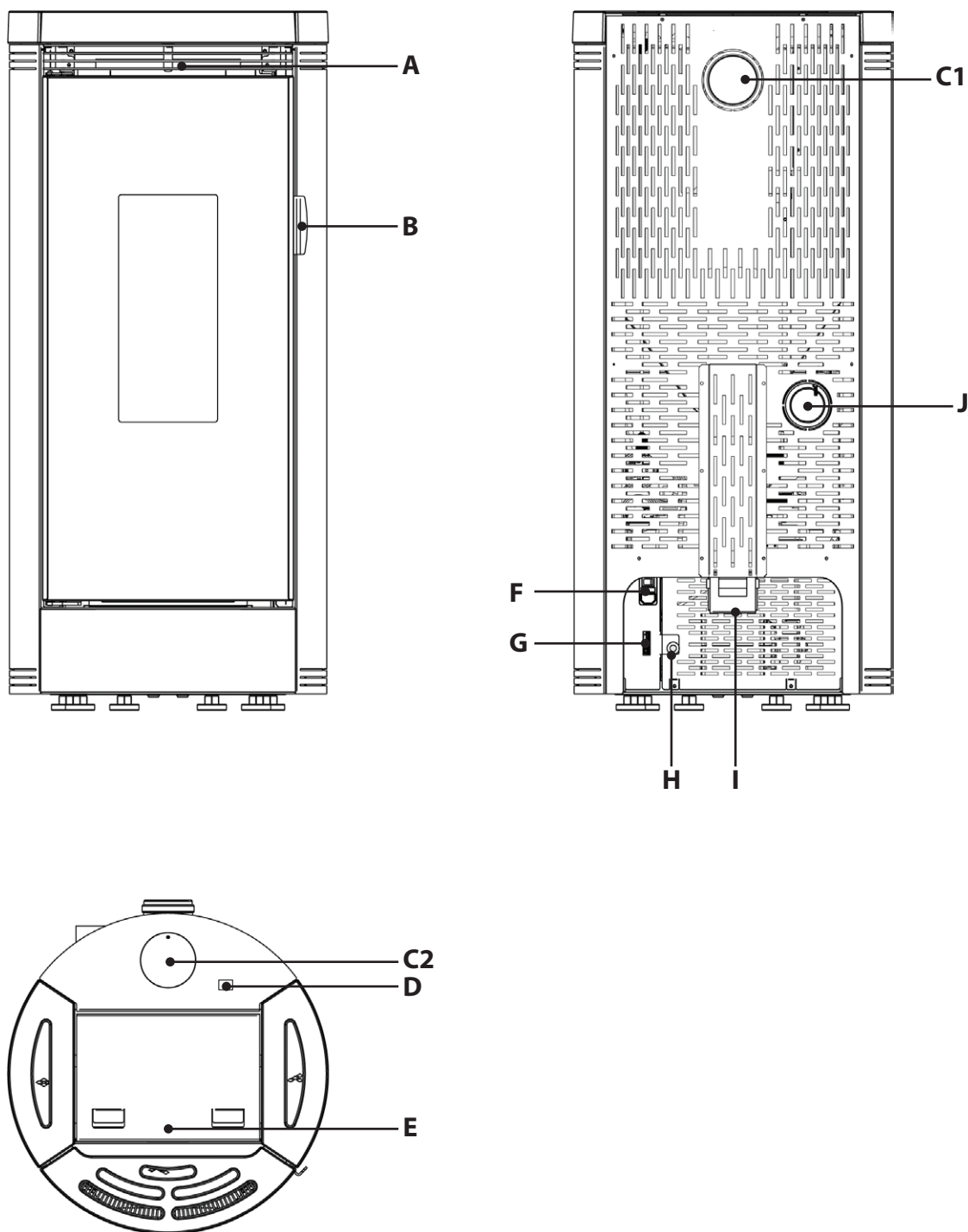


5. Fasten the cover (B) and the screw (A).



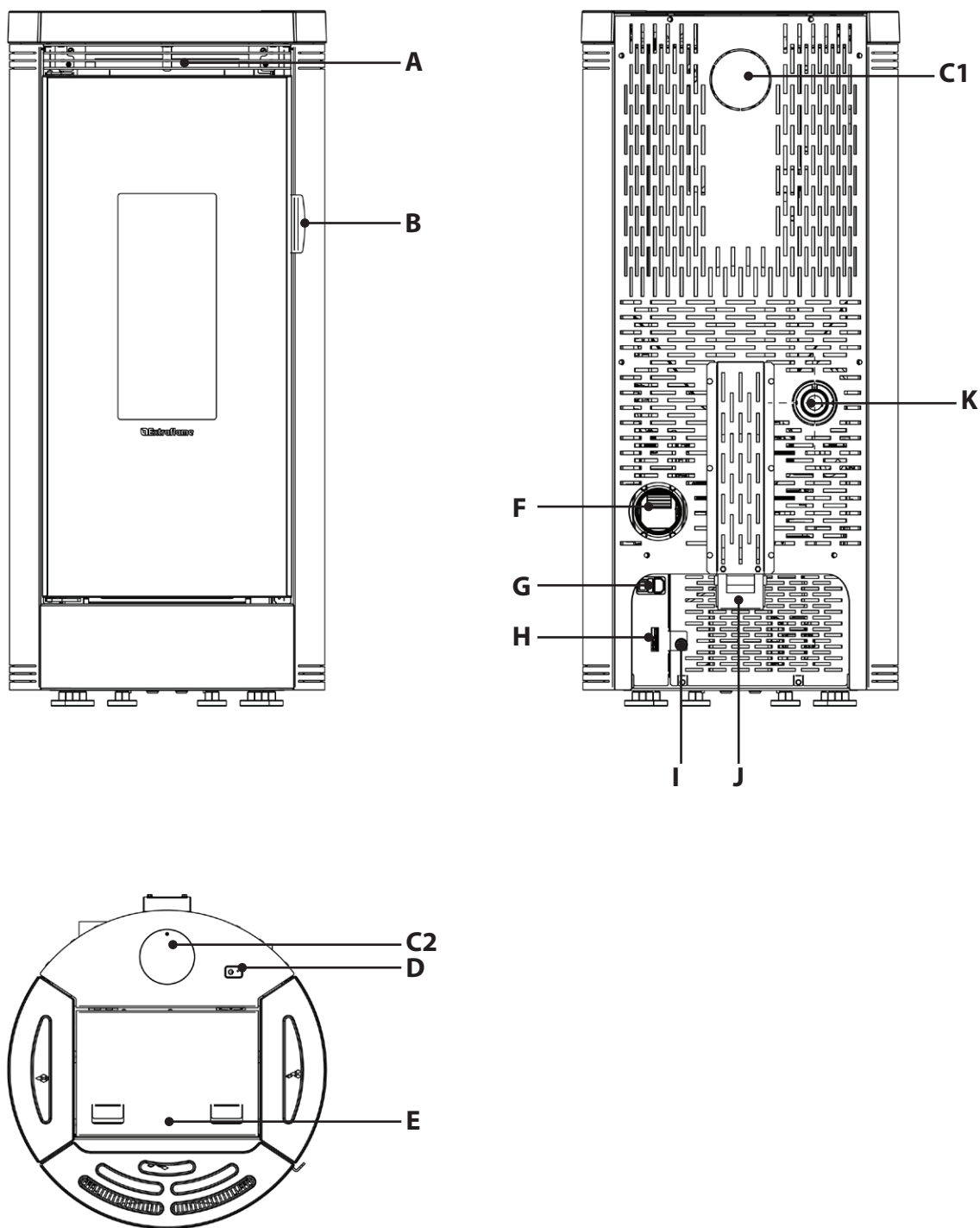
6. Install the back panel (A), see illustration 1.

## DETAILS DEBBY EVO



<b>A</b>	Room air outlet	<b>D</b>	Radio/emergency board	<b>G</b>	Additional thermostat input
<b>B</b>	Access to combustion chamber and ash drawer	<b>E</b>	Pellet hopper pressurised closure	<b>H</b>	Bulb thermostat reactivation
<b>C1</b>	Rear flue gas outlet	<b>F</b>	On/Off Fuse 230V power supply	<b>I</b>	Smoke pipe inspection cap
<b>C2</b>	Upper fumes exhaust			<b>J</b>	Combustion air inlet

## DETAILS DEBBY PLUS EVO



<b>A</b>	Room air outlet	<b>D</b>	Radio/emergency board	<b>H</b>	Additional thermostat input
<b>B</b>	Access to combustion chamber and ash drawer	<b>E</b>	Pellet hopper	<b>I</b>	Bulb thermostat reactivation
<b>C1</b>	Rear flue gas outlet	<b>F</b>	On/Off Fuse 230V power supply	<b>J</b>	Smoke pipe inspection cap
<b>C2</b>	Upper fumes exhaust	<b>G</b>	Ducting outlet	<b>K</b>	Combustion air inlet

## NOTES FOR CORRECT OPERATION

The following indications must be respected for correct pellet stove operation:

### DURING IGNITION:

be sure to keep the fire door closed during the entire ignition phase. Otherwise, the stove will display

"CLOSE HOPPER" or "CLOSE STOVE DOOR"

**This indication means that you have 60 seconds to close the door.**

After 60 seconds have passed, the stove will go into "DEPR ALARM" mode during the ignition phase

The generator performs a check on the combustion air flow during the START phase.

If any anomalies are detected, the generator will go into "MIN DELTA-P ALARM 1" mode.

### DURING WORK:

be sure to keep the fire door closed during the entire WORK phase. Otherwise, the stove will display

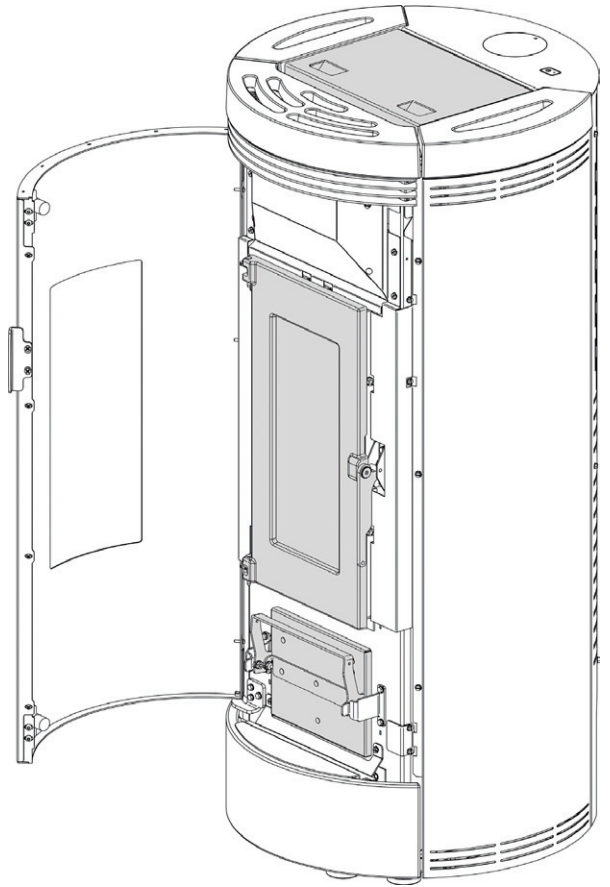
"CLOSE HOPPER" or "CLOSE STOVE DOOR"

**This indication means that you have 60 seconds to close the door.**

After 60 seconds have passed, the stove will go into "COOLING STAND BY" mode

If "MIN DELTA-P" appears, it means that the appliance has detected abnormal conditions in the combustion air or flue gas outlet flows.

If the conditions do not stabilise within the time indicated by the TIMER on the display, the stove will go into "MIN DELTA-P ALARM 2" mode.



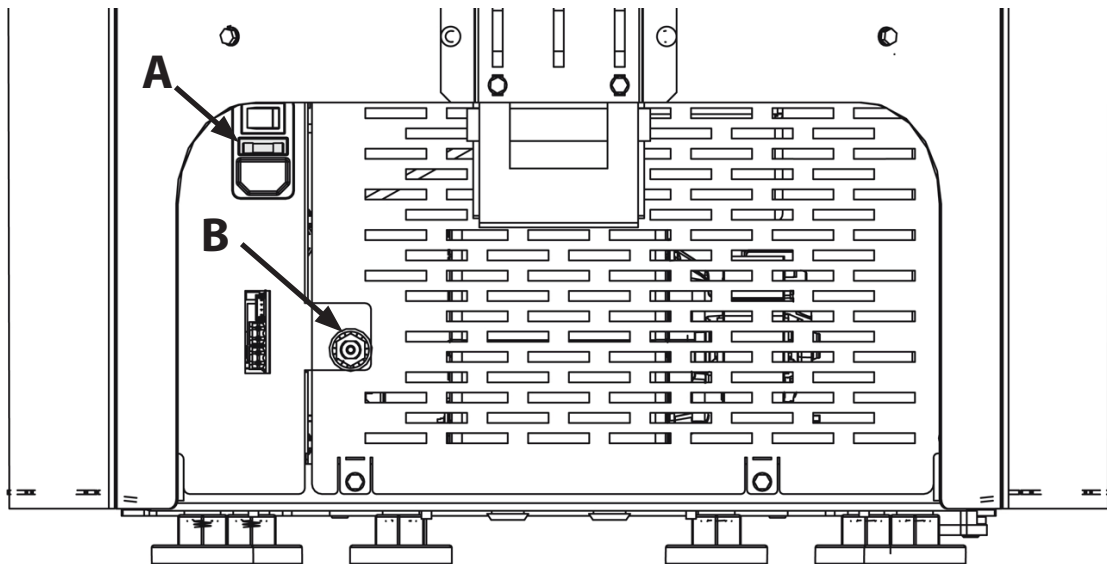
**DURING OPERATION THE EXTERNAL DOOR MUST ALWAYS REMAIN CLOSED!**

### FUSE

If the stove is not powered, have the condition of the fuse (A) checked by a qualified technician.

### BULB THERMOSTAT REACTIVATION

The figure below shows the position of the hopper safety thermostat (B). It is recommended to contact the qualified technician if one of the thermostats is triggered, so as to verify the cause.



## HOT AIR DUCTING

The pipe used for ducting the hot air must have an internal diameter of 80 mm and it must also be insulated or at least be protected against heat dispersion.

### AIR DUCTING FEATURES

♦ Rear outlet	♦ Possibility to thermostat the ducting
♦ Diameter of air ducting outlet: 80 mm	♦ 4 possible settings: <b>OFF, QUIET, REGULAR, BOOST</b>
♦ Maximum recommended air ducting length 8 m	



**THE RELEVANT HOT AIR DUCTING PIPE MUST BE INSTALLED BY QUALIFIED PERSONNEL AND/OR BY THE MANUFACTURER'S TECHNICIANS**

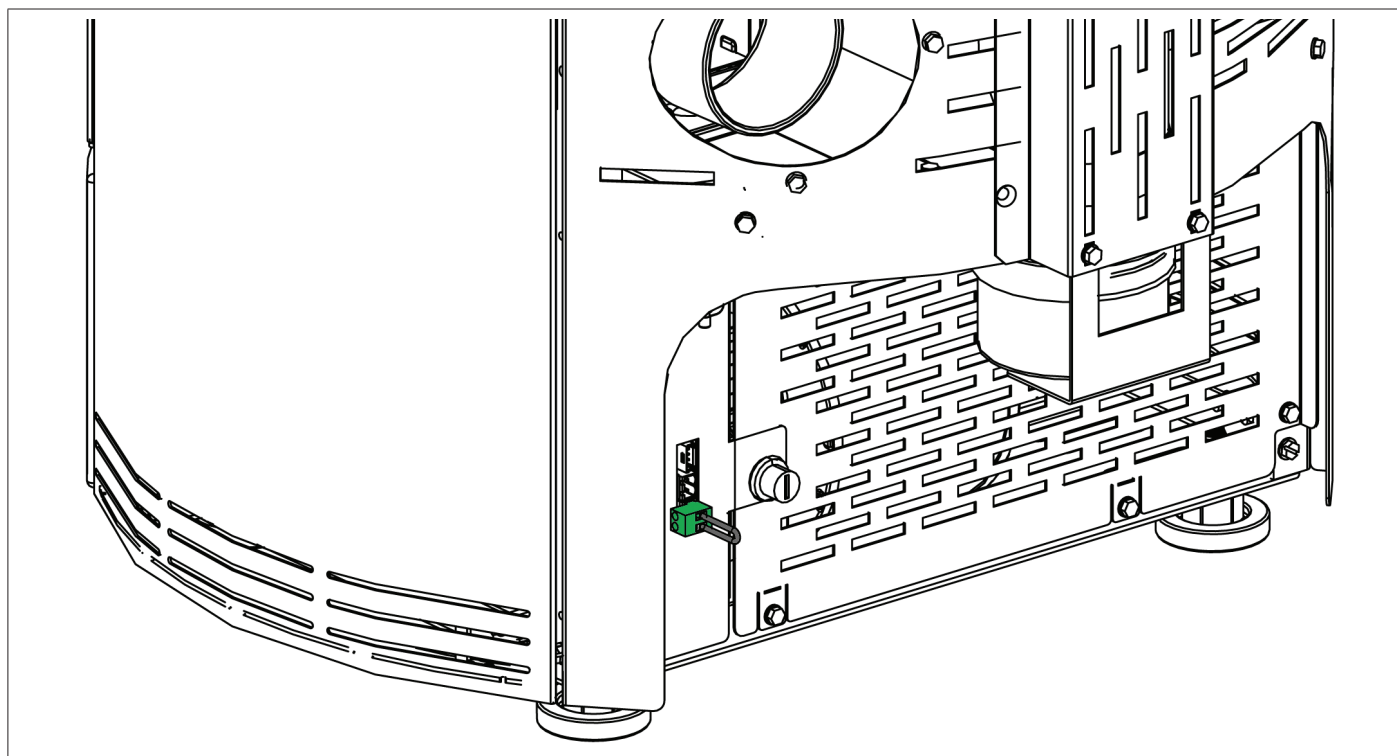
### ADDITIONAL THERMOSTAT TO CONTROL THE DUCT MOTOR

For models with duct motor, it is also possible to thermostat the motor itself. The connection to an external thermostat will allow for the duct motor to be controlled regardless of stove operation.

At this point, simply set the desired temperature on the thermostat; the thermostat will command the operation of the second motor:

- ♦ at the set temperature (contact closed), the air ducting motor will follow the stove settings.
- ♦ when the temperature has been reached (contact open), the motor will switch off.

The duct thermostat terminal features a standard bridge. See the example image.



## COMBUSTION AIR

The generator has an inlet for drawing combustion air directly from the room or from outside the building.



## OPERATION IN AIR DUCTING WITH THERMOSTAT OR PROBE (OPTIONAL)

The stove is fitted with an independent motor for ducting. The connection of an external thermostat or temperature probe (NTC 10K) in the input, located in the rear part of the stove, makes it possible to control the air ducting motor independently of the stove.

Suffice it to connect the thermostat/temperature probe and set the desired temperature.

For information on air ducting settings see chapter: "*MENU - AIR DUCTING*"

### WITH AMBIENT THERMOSTAT (OPTIONAL)

Remove the jumper and connect the ambient thermostat in the room that needs to be temperature-controlled through air ducting 1.

#### 4 control modes:

OPERATION IN AIR DUCTING WITH AMBIENT THERMOSTAT (OPTIONAL)	
SET configured to OFF (The temperature setting is not visible)	The air ducting motor will remain off unless the fumes temperature exceeds the normal operating temperatures
SET on REGULAR (The temperature setting is not visible)	Once the specific activation threshold has been reached and exceeded, at temperature to be satisfied (CLOSED CONTACT) the air ducting motor will follow the stove settings. When the temperature set on the thermostat is reached (OPEN CONTACT), the air ducting motor will switch OFF and switch on again when there is a new request.
SET on QUIET (The temperature setting is not visible)	Once the specific activation threshold has been reached and exceeded, at temperature to be satisfied (CLOSED CONTACT) the air ducting motor will follow the stove settings but at a lower speed than in REGULAR, for greater acoustic-environmental comfort. When the temperature set on the thermostat is reached (OPEN CONTACT), the ducting motor will switch off and switch on again when there is a new request.
SET on BOOST (The temperature setting is not visible)	Once the specific activation threshold has been reached and exceeded, at temperature to be satisfied (CLOSED CONTACT) the air ducting motor will follow the stove settings but at a higher speed than in REGULAR, for faster heat exchange. When the temperature set on the thermostat is reached (OPEN CONTACT), the ducting motor will switch off and switch on again when there is a new request.

### WITH PROBE (NTC 10K)

Remove the jumper and connect the NTC probe in the room that needs to be temperature-controlled through air ducting.

#### 4 control modes:

OPERATION IN AIR DUCTING WITH NTC PROBE 10KΩ (OPTIONAL)	
SET on OFF Set the desired temperature ( from 7 to 37 °C)	The air ducting motor will remain off unless the fumes temperature exceeds the normal operating temperatures
SET on REGULAR Set the desired temperature ( from 7 to 37 °C)	Once the specific activation threshold has been reached and exceeded, at temperature to be satisfied the air ducting motor will follow the stove settings. Once the temperature set in TEMPERATURE has been reached, the duct motor will turn OFF and then it will turn back on when required.
SET on QUIET Set the desired temperature ( from 7 to 37 °C)	Once the specific activation threshold has been reached and exceeded, at temperature to be satisfied the air ducting motor will follow the stove settings but at a lower speed than in REGULAR, for greater acoustic-environmental comfort. Once the temperature set in TEMPERATURE has been reached, the duct motor will turn OFF and then it will turn back on when required.
SET on BOOST Set the desired temperature ( from 7 to 37 °C)	Once the specific activation threshold has been reached and exceeded, at temperature to be satisfied the air ducting motor will follow the stove settings but at a higher speed than in REGULAR, for faster heat exchange. Once the temperature set in TEMPERATURE has been reached, the duct motor will turn OFF and then it will turn back on when required.

## PELLETS AND LOADING

Pellets are made by subjecting wood shavings i.e. the rejects of pure unpainted wood from sawmills, carpentry products and products from other activities connected to wood working and transformation, to very high pressures.

This type of fuel is fully ecological as no glues are used for its compaction. In fact, pellet compactness is guaranteed over time by a natural substance found in wood: lignin.

In addition to being an ecological fuel, making best use of wood residue, pellets also have a series of technical advantages.

While wood has a calorific value of 4.4 kWh/kg (with 15% moisture, therefore after approximately 18 months of curing), that of pellets is 5 kWh/kg.

Pellet density is about 650 kg/m<sup>3</sup> and water content is equal to 8% of its weight. For this reason pellets do not need to be cured to obtain a sufficient heat yield.

The pellets used must be class **A1** certified according to standard **ISO 17225-2 (ENplus-A1, DIN Plus or NF 444** of the following category: "High quality NF biocombustible wood pellets").

**UNI EN 303-5** with the following characteristics: water content ≤ 12%, ash content ≤ 0.5% and lower calorific value >17 MJ/kg (in the case of boilers).

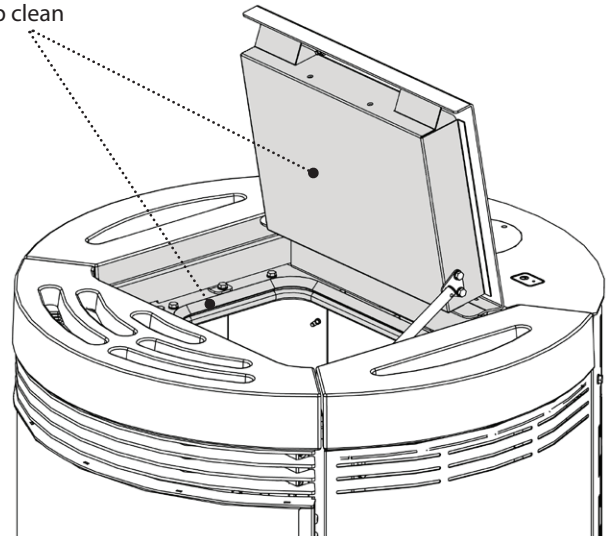
The Manufacturer recommends using pellets with a diameter of 6mm with its products.

### PELLET STORAGE

To guarantee combustion without problems, the pellets must be kept in a dry place.

Open the tank lid and load the pellets using a scoop.

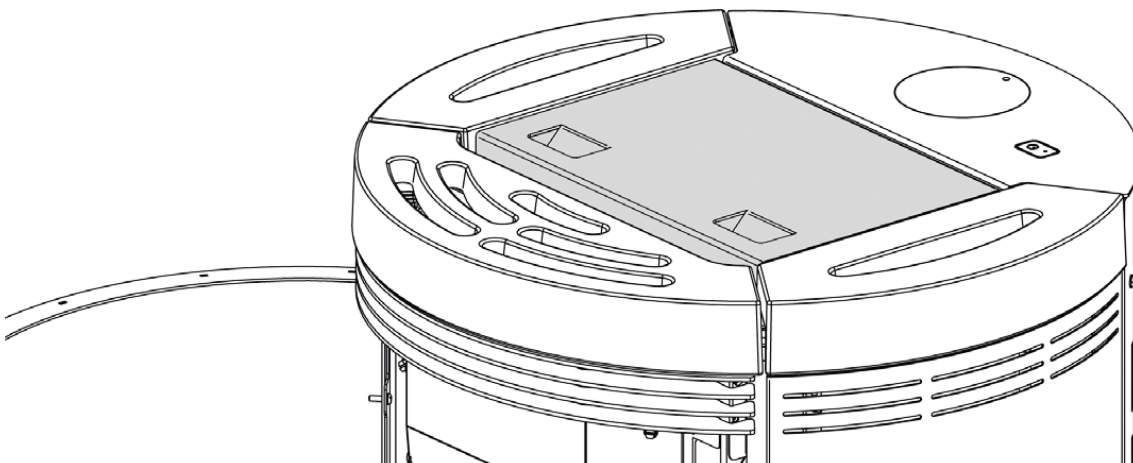
Keep clean



**THE USE OF POOR QUALITY PELLETS OR ANY OTHER MATERIAL WILL COMPROMISE STOVE FUNCTIONS, VOIDING THE WARRANTY AND RELEASING THE MANUFACTURER OF LIABILITY.**

## PELLET HOPPER

During stove operation, the pellet hopper lid must always be closed.

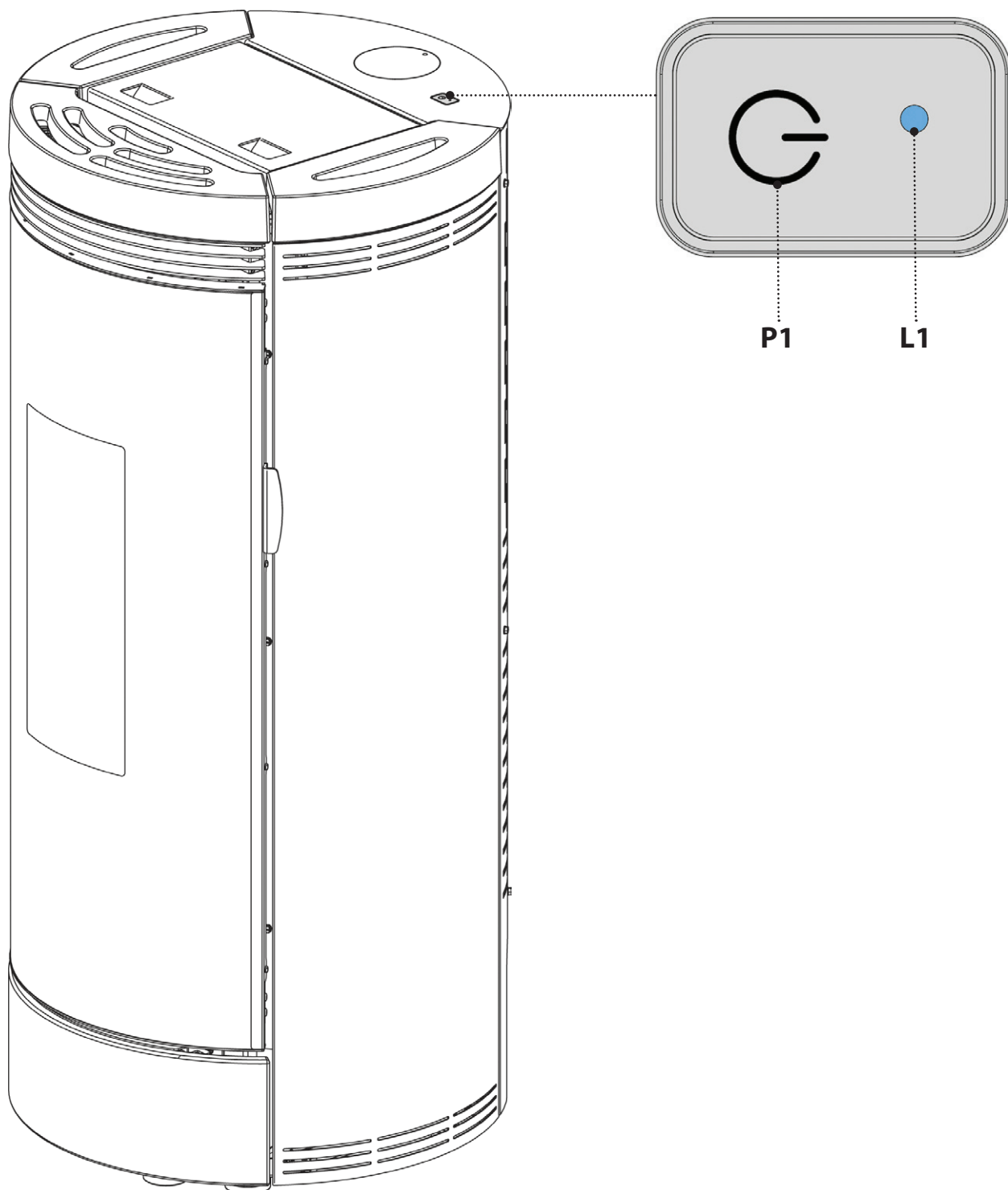


**DO NOT PLACE THE BAG DIRECTLY ON THE STOVE TO LOAD THE TANK. ALWAYS USE A SCOOP TO LOAD THE TANK. DO NOT RUB OR PLACE WEIGHTS ON THE TANK SEAL. KEEP THE TANK COVER SEAL SUPPORTING SURFACE CLEAN AT ALL TIMES. CHECK THE CONDITIONS OF THE SEAL FREQUENTLY. IF DAMAGED, CONTACT YOUR LOCAL AUTHORISED TECHNICIAN.**

## EMERGENCY MODULE

The stove features an emergency module that allows for the basic management of the stove in the event that the handheld remote is not working properly.



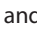

The functions that can be managed from the emergency card are:



Key P1	Stove ignition/switch-off
L1: Blue LED off:	The stove is off.
L1: Blue LED on:	The stove is operating
L1: Blue LED flashing:	The stove is in ALARM state

## RADIO CONTROL CONFIGURATION

RADIO CONTROL DEVICE CODING PROCEDURE:

1. Disconnect the power supply to the stove.
2. Press the keys  and **OK** at the same time until the RADIO ID channel page appears
3. Using the buttons  and  select the new **RADIO ID channel** (it is possible to select a RADIO ID channel between 0 and 63).
4. Power the stove. Within 10 seconds (the LED on the radio/emergency board will flash) confirm the selected channel by pressing OK on the remote control.
5. The LED on the emergency module will remain on for 5 seconds to confirm the new configuration.
6. If the configuration was not successful, "" will appear on the display. In this case, repeat the procedure.






**THE REMOTE CONTROL IS ALREADY CONFIGURED WITH A RADIO ID CHANNEL; IF THERE IS ANOTHER STOVE, TO AVOID INTERFERENCES, A NEW CONFIGURATION MUST BE MADE, BY CHANGING ONE OF THE TWO STOVES.**



**SOME RADIO FREQUENCY DEVICES (E.G. MOBILE PHONES, ETC.) MAY CAUSE INTERFERENCE WITH COMMUNICATION BETWEEN THE RADIO CONTROL DEVICE AND THE STOVE.**

## RADIO CONTROL DEVICE ROOM PROBE CALIBRATION

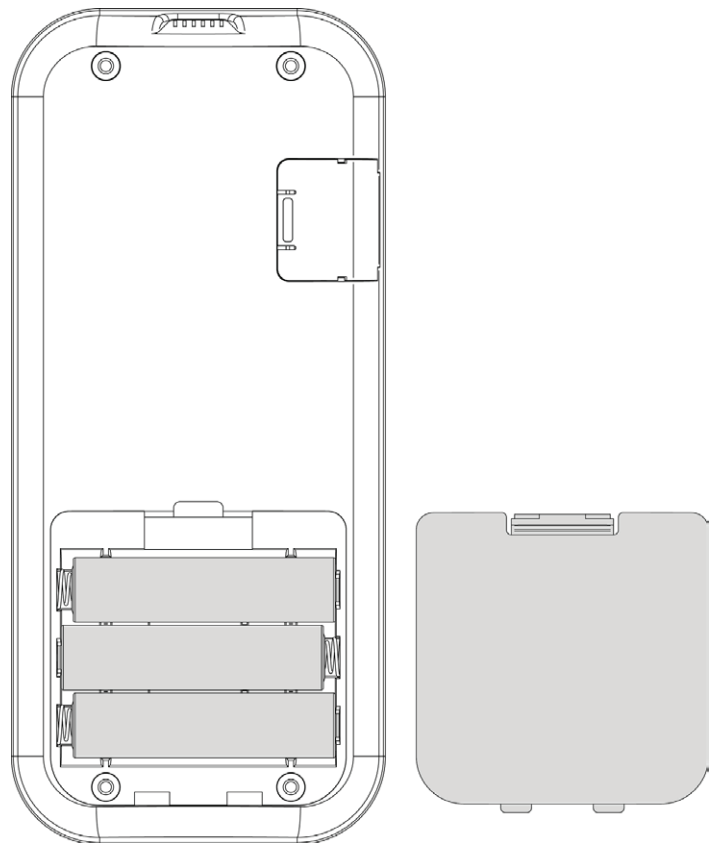
This mode allows calibration of the room temperature detected by the radio control device (with ventilation active only). For correct calibration, it is recommended to position the radio control in a room with constant temperature and wait for at least two hours. Below find the calibration procedure:

- ◆ Access the menu and reach "TECH MENU".
- ◆ Set the access key "F4". - "ADJ REMOTE PROBE"
- ◆ Using the keys  or  adjust the desired room calibration.
- ◆ Save and exit with the key .

## BATTERY TYPE AND REPLACEMENT

To insert/replace the batteries, simply remove the battery protection cover at the back of the radio control device (figure 1). Insert the batteries according to the symbols imprinted on the radio control device and on the battery itself.

3 AAA batteries are required for the radio control device to function.



(figure 1)



### Respect the environment!

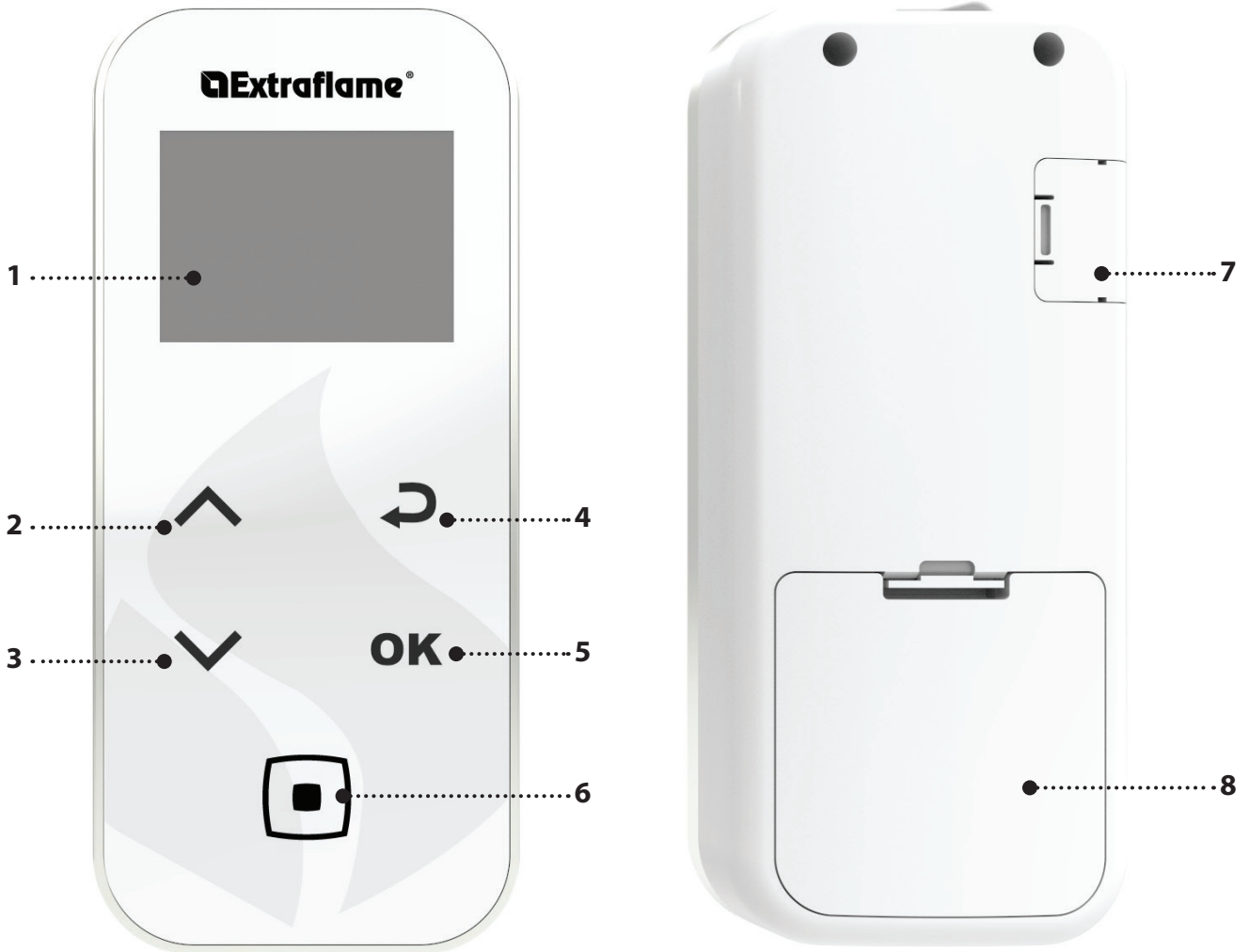
Used batteries contain metals that are harmful to the environment, and therefore must be disposed of separately in special containers.

## RADIO CONTROL DEVICE FEATURES

- ♦ The radio control is fitted with an LCD backlit display. The display remains lit for 5 seconds. After a certain period of time, in order to minimise battery consumption, the display turns off (sleep mode).
- ♦ It turns back on after pressing the ON/OFF key (6).

### CAUTION!

- ♦ Do not place the radio control device in direct or indirect contact with water. The radio control device may not work properly in the presence of humidity or if exposed to water.

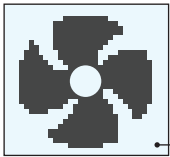
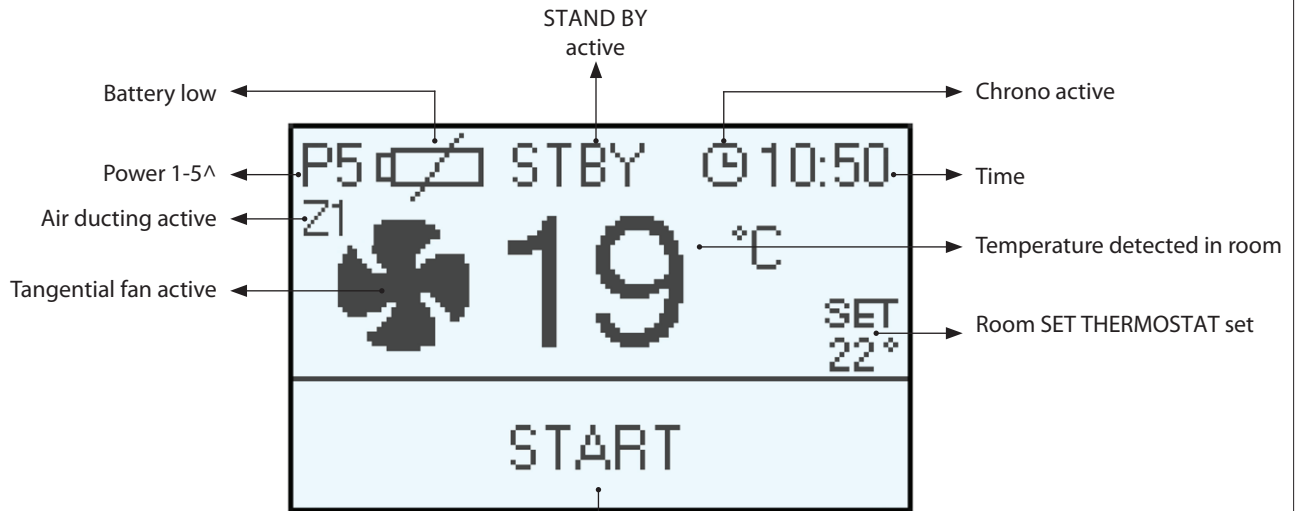


1.	DISPLAY
2.	SET POWER/ scroll through menus / increase - select a setting
3.	SET THERMOSTAT room/ scroll through menus / decrease - deselect a setting
4.	Back key
5.	Key to access MENU and CONFIRM
6.	ON/OFF stove or restore from sleep mode.
7.	Serial cable input
8.	Battery compartment

FREQUENCY BANDS	MAXIMUM POWER TRANSMITTED
868.3 MHz	4 mW ERP
869.85 MHz	4 mW ERP

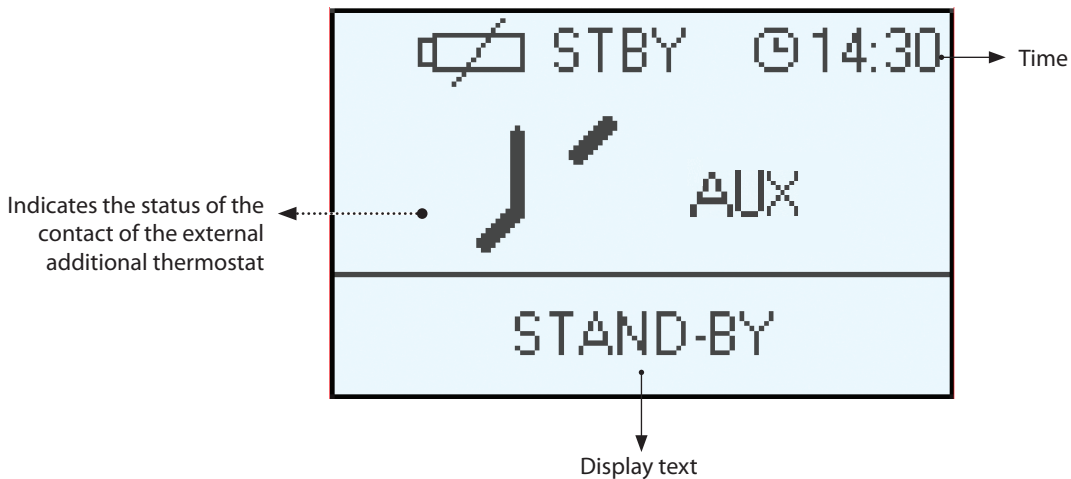
## DISPLAY

### SCREEN IN OPERATION






Tangential fan active in QUIET mode

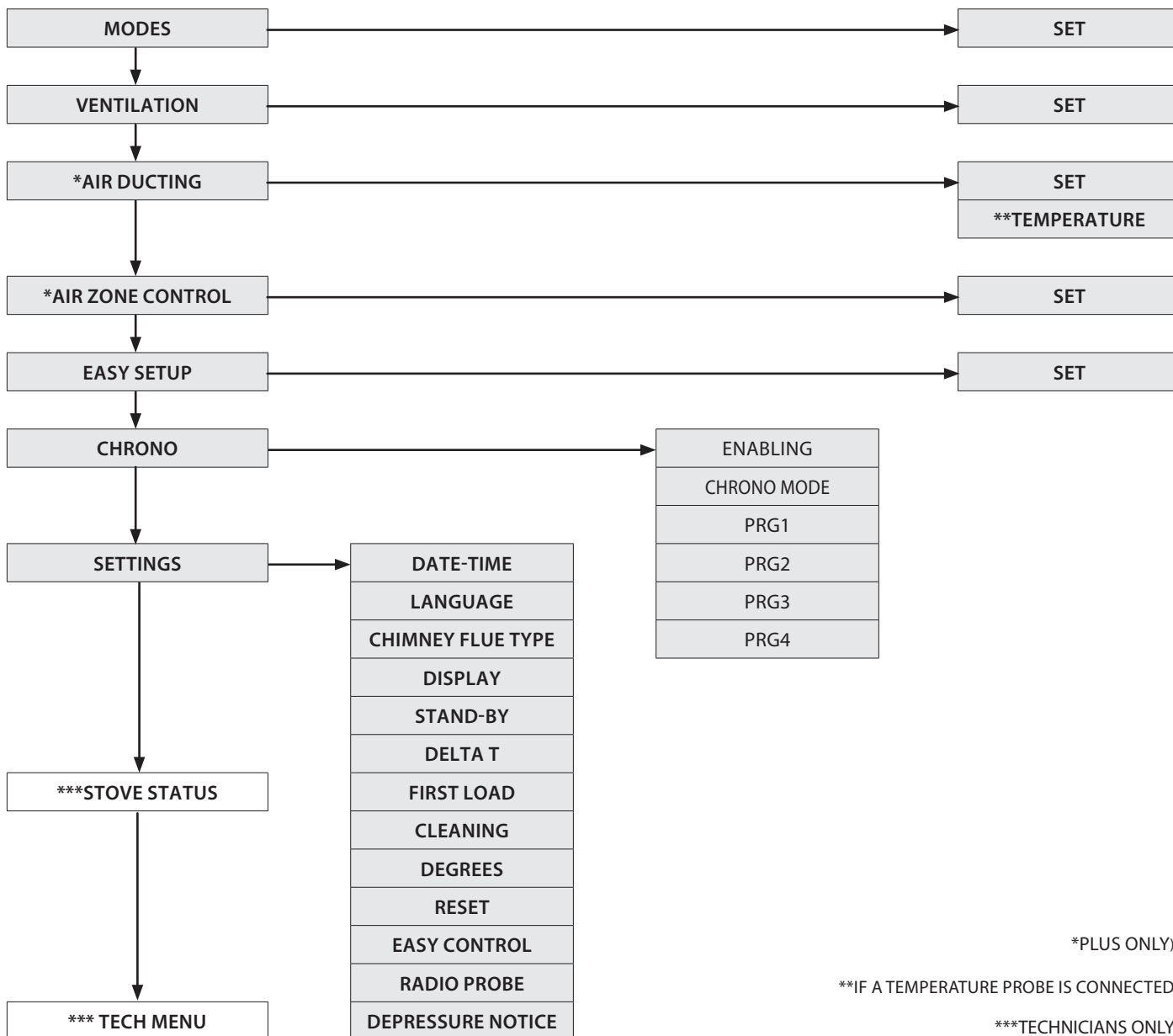
### SCREEN WITH EXTERNAL THERMOSTAT CONNECTED TO THE TERMINAL "TA"



## GENERAL MENU

KEY	FUNCTION
	Scroll through parameters Modify settings
	Ignition - switch-off key

KEY	FUNCTION
	Back - exit key
<b>OK</b>	Access menu key



## GENERAL WARNINGS

### Advice to follow for the first start-ups of the product:

During the first hours of operation, there may be some smoke or odours, but they are due to the normal "thermal break-in" process. During this process, the duration of which changes depending on the product, it is recommended to:

- Ventilate the room well
- If present, remove any majolica or natural stone parts from the top part of the product.
- Activate the product at the maximum power and temperature
- Avoid remaining in the room for a long time
- Do not touch the surfaces of the product

### Notes:

The process is completed after a few heating/cooling cycles. For combustion, do not use elements or substances other than those indicated in the manual.

### Before turning on the product, it is necessary to perform the following checks:

- If it is intended to be connected to a hydraulic system, it must be complete and fully functional and in compliance with the instructions given in the product manual and with the relevant regulations in force.
- The pellet hopper must be fully loaded
- The combustion chamber and the burn pot must be clean
- Make sure that the fire holder, the ash drawer and the pellet hopper close hermetically (if present in the hermetic version); they must be closed and there must be no foreign bodies in the sealing elements and gaskets.
- Check that the power cord is properly connected
- The switch (if present) must be set to position "1".

## FIRST IGNITION SETTINGS

After connecting the power cord at the back of the generator, turn the switch (if any) to position (I).  
The switch is used to power the heat generator board.

## DATE/TIME

This menu allows the date and time to be set.

To set: OK > *SETTINGS* > *DATE/TIME*.

## LANGUAGE

This menu allows the preferred language to be selected.

The languages available are: Italian - English - German - French - Spanish - Portuguese - Danish - Estonian - Croatian - Slovenian - Dutch - Polish - Czech.

To set: OK > *SETTINGS* > *LANGUAGE*.

## CHIMNEY FLUE TYPE

This menu allows you to indicate the type of installation used for the appliance.  
The choices available are:

- o "Standard" for installation with separate flue gas outlet and combustion air inlet.
- o "Coaxial" for installation with coaxial flue gas outlet and combustion air inlet.

To set: OK > *SETTINGS* > *CHIMNEY FLUE TYPE*

## DEGREES

This menu allows you to set the desired unit of measurement.

To set: OK > *SETTINGS* > *DEGREES*



**DO NOT USE ANY TYPE OF FLAMMABLE LIQUIDS FOR IGNITION!**  
**DO NOT ALLOW THE BAG OF PELLETS TO COME INTO CONTACT WITH THE BOILING HOT STOVE DURING THE FILLING PHASE!**  
**IN THE EVENT OF CONTINUED FAILURE TO LIGHT, CONTACT AN AUTHORISED TECHNICIAN.**




### NO IGNITION

**THE APPLIANCE MAY FAIL TO LIGHT BECAUSE THE AUGER IS EMPTY AND NOT ALWAYS ABLE TO LOAD THE BURN POT FAST ENOUGH WITH THE PELLETS NEEDED FOR NORMAL IGNITION.**  
**IF THE PROBLEM OCCURS AFTER ONLY A FEW MONTHS OF OPERATION, CHECK THAT THE ROUTINE CLEANING DESCRIBED IN THE STOVE HANDBOOK HAS BEEN CARRIED OUT CORRECTLY**



## OPERATION AND LOGIC

### IGNITION

Once the previously listed points have been checked, press key  for three seconds to ignite the stove. During ignition, the stove will check for a flame for a period of 15 minutes. Once the control temperature has been reached, the stove interrupts the ignition phase and switches to PREPARATION.

The stove is set to MANUAL mode, power 5, by default.

### PREPARATION

During the preparation phase, the stove stabilises combustion, increasing it progressively, to then start ventilation and switch to WORK

### WORK IN MANUAL MODE

During the work phase, the stove reaches the POWER defined by the user, heating the room using the VENTILATION set by the user.

### SETTING IN AUTOMATIC MODE

This mode, by means of the SET THERMOSTAT, allows for the room temperature to be set.

The adjustment is made using buttons 2 and 3, from 7 to 37°C.

The stove controls the room temperature using a probe built into the radio control.

See paragraph MODE for more details.




### AUX MODE

If AUX MODE is selected, temperature control is entrusted to the contact of the additional thermostat, thus ignoring the temperature probe built into the radio control.

If the contact is open (met), the stove operates at the minimum value (or it switches off if STAND BY mode is active).

If the contact is closed (request), the stove works at the set power.

### REGULATION OF SET POWER

The POWER has 5 levels of operation, Pressing the key  allows you to view the set power which can be changed using the keys  or .

Power 1 = minimum level - Power 5 = maximum level.

The change must be confirmed by pressing the key **OK**.


### AUTO BLOW

During the work phase, the stove cleans the burn pot at regular intervals with the function called "AUTO BLOW".

When this procedure starts, a message is displayed. During the "AUTO BLOW" procedure, the pellet feed slows down and the fumes motor increases.

After cleaning, the stove resumes operation in normal conditions.

### SWITCH-OFF

Press the  key for three seconds.

Once this operation has been performed, the appliance automatically enters the switch-off phase, blocking the pellet feed.

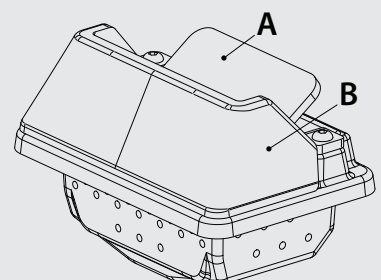
The flue gas exhaust motor and the hot air flow motor will remain on until the stove temperature has dropped below the safety settings.

### REIGNITION

The stove can only be re-ignited if the temperature of the exhaust fumes is lower than the preset threshold and the minimum safety time has passed.



**IT IS FORBIDDEN TO USE THE DEVICE WITHOUT A PARTITION (A) AND FLAME GUARD (B).  
REMOVAL WILL COMPROMISE THE SAFETY OF THE PRODUCT AND RESULT IN THE IMMEDIATE NULLIFICATION OF THE WARRANTY PERIOD.  
IN THE EVENT OF WEAR OR DETERIORATION, ASK THE AFTER-SALES SERVICE TO REPLACE THE PART  
(REPLACEMENT DOES NOT FALL WITHIN THE PRODUCT WARRANTY AS THE PART IS SUBJECT TO WEAR).**



## MODE

This menu is used to set the operating logic of the machine for the power used.  
Range: (MANUAL, AUTOMATIC, AUX)

By selecting MANUAL mode, the user can choose the heat output level delivered and the type of VENTILATION, according to his/her preferences.

The stove will operate only according to the settings set by the user.

By selecting AUTOMATIC mode, the user can set the desired room temperature and the VENTILATION to be used. The stove will adjust itself automatically to reach the set temperature without exceeding it.

**This function improves the use of the generator in terms of consumption and thermal and acoustic comfort and it reduces the need for cleaning and maintenance.**

By selecting AUX mode, the user can choose the power level delivered and the type of VENTILATION.

The stove will adjust its operation based on the external thermostat TA.

With the contact closed, the stove operates according to the set settings; with the contact open, the stove switches to minimum modulation (or it switches off if the STAND BY function is active).

To set: OK > MODE > SET

## VENTILATION

This feature uses the **PRO AIR SETUP** which allows for the ventilation to be adjusted according to 3 levels: QUIET, REGULAR, BOOST.

- ◆ QUIET: Ventilation works to optimise acoustic comfort. The fans run at a reduced speed.
- ◆ REGULAR: To obtain the best possible balance between performance and comfort. This is the factory setting.
- ◆ BOOST: When you want to feed the set heat output of the appliance into the room as fast as possible.

To set: OK > VENTILATION > SET

## AIR DUCTING (PLUS ONLY)

This feature uses the **PRO AIR SETUP** which allows for the ventilation to be adjusted according to 3 levels: OFF, QUIET, REGULAR, BOOST.

- ◆ OFF: When you want to use natural convection heat only, without the aid of the fans, for maximum quietness
- ◆ QUIET: Ventilation works to optimise acoustic comfort. The fans run at a reduced speed.
- ◆ REGULAR: To obtain the best possible balance between performance and comfort. This is the factory setting.
- ◆ BOOST: When you want to feed the set heat output of the appliance into the room as fast as possible.

Check that the ducting is not disabled; in this case follow the instructions given in the chapter "HOT AIR DUCTING".

To set: OK > AIR DUCTING > SET

By connecting an external NTC probe or a radio probe\* it is possible to view the room temperature and adjust the set TEMPERATURE.

To set: OK > AIR DUCTING > TEMPERATURE

\*Optional accessories

	ACOUSTIC COMFORT	HEATING SPEED
OFF	●●●●●	●○○○○
QUIET	●●●●○	●●●○○
REGULAR	●●●○○	●●●●○
BOOST	●○○○○	●●●●●

N.B.: The appliance is designed to work in safe conditions at all times.  
In some cases, changing the ventilation level may have no noticeable effect on the setting.

## AIR ZONE CONTROL (PLUS ONLY)

This menu allows you to enable the AIR ZONE CONTROL mode

Range: (ON, OFF)

If ON is selected, the stove will optimise the adjustment so that the heat is sent to the ducting when the main room temperature set is reached.

To set: OK > AIR ZONE CONTROL > SET

When the function is active, AIR ZONE CONTROL appears on the display

**WARNINGS:** If the appliance is installed with air ducting active, but ambient probe or thermostat for air ducting (i.e. the jumper is kept on the ducting terminal), and the AIR ZONE CONTROL function is activated, it sends heat into the ducting regardless of the temperature of the room receiving the ducting.

## EASY SETUP

The volumetric weight of the pellet is the ratio between the weight and the volume of the pellet. This ratio may change without altering pellet quality. By using the EASY SETUP function, it is possible to dose the pellets by increasing or decreasing the preset values.

In the stove program, the available values range from "- 3" to "+ 3"; all stoves are calibrated during production with the optimal value which is 0

If you notice an excessive deposit on the burn pot, access the EASY SETUP program and lower the value by one unit to "- 1"; then wait until the next day and if there is no improvement, decrease again, to a maximum of "- 3". If, on the other hand, it is necessary to increase the pellet dosage, switch the factory value from "0" to "+ 1, + 2, + 3" as required.

To set: OK > EASY SETUP

EXCESSIVE PELLETT DEPOSIT IN BURN POT			NORMAL OPERATION	MINIMUM PELLETT DEPOSIT IN BURN POT		
-3	-2	-1	0	+1	+2	+3
THIRD DECREASE RANGE IF THE FIRST TWO ARE INSUFFICIENT	SECOND DECREASE RANGE IF THE FIRST IS INSUFFICIENT	FIRST DECREASE RANGE (TEST FOR 1 DAY)	OPTIMAL FACTORY VALUE	FIRST INCREASE RANGE	SECOND INCREASE RANGE IF THE FIRST IS INSUFFICIENT	THIRD INCREASE RANGE IF THE FIRST TWO ARE INSUFFICIENT

**N.B.:** IF THESE ADJUSTMENTS DO NOT SOLVE THE PROBLEM OF PELLETT DEPOSITS IN THE BURN POT, PLEASE CONTACT YOUR LOCAL SERVICE CENTRE.

## CHRONO

This function allows stove ignition and switch-off to be automatically programmed.

The factory setting for CHRONO is off.

The chrono allows the programming of 4 time slots per day, which can be used every day of the week. **In each time slot, it is possible to set the ignition and switch-off times, the days of use of the programmed time slot, the desired temperature (if AUTOMATIC mode is used) and the set power. Current day and time settings are essential for the correct operation of the Chrono.**

### Recommendations

Before using the chrono function, it is necessary to set the current day and time. Therefore, check that the points in the sub-section "DATE-TIME" have been followed. To use the chrono function correctly, it must not only be programmed, but also enabled. The 4 time slots can be overlapped using the ignition and switch-off time settings. In this way, it is possible to create a combination of time slots with different temperatures and power levels, without changing the status of the stove.

**N.B.:** in the case of overlapping time slots, the stove will remain on until the last switch-off time.

## ENABLING

Allows the chrono and the different stove time slots to be enabled/disabled.

To set: *OK > CHRONO > ENABLING*

## CHRONO MODE

It allows the user to choose in which MODE (see paragraph) the stove will be switched on in the set time slots, choosing between:

- ◆ MANUAL
- ◆ AUTOMATIC
- ◆ AUX

## PRG 1-4

Prg x allows you to set the ignition and switch-off time, the days of use of the programmed time slot, the temperature and also the desired power. Current day and time settings are essential for the correct operation of the Chrono.

To set: *OK > CHRONO > PRGX*

<b>CHRONO</b>	>	<b>ENABLING</b>	>	<b>PRG 1</b>	ON/OFF	Enable/disable PRG 1		
		∨		<b>PRG 2</b>	ON/OFF	Enable/disable PRG 2		
		∨		<b>PRG 3</b>	ON/OFF	Enable/disable PRG 3		
		∨		<b>PRG 4</b>	ON/OFF	Enable/disable PRG 4		
		<b>CHRONO MODE</b>	>	MANUAL/AUTOMATIC/AUX	-	Set Chrono mode		
		∨		<b>PRG1</b>	>	<b>START PRG1</b>	OFF-00:00-23:50	Ignition time PRG1
		∨				<b>STOP PRG1</b>	OFF-00:00-23:50	Switch-off time PRG1
		∨				<b>MONDAY...SUNDAY</b>	ON/OFF	Enable/disable the days of PRG1
		∨				<b>*SET PRG1</b>	07- 37 °C	Set thermostat PRG1
		∨				<b>POWER PRG1</b>	1-5	Set power PRG1
		∨		<b>PRG2</b>	>	<b>START PRG2</b>	OFF-00:00-23:50	Ignition time PRG2
		∨				<b>STOP PRG2</b>	OFF-00:00-23:50	Switch-off time PRG2
		∨				<b>MONDAY...SUNDAY</b>	ON/OFF	Enable/disable the days of PRG2
		∨				<b>*SET PRG2</b>	07- 37 °C	Set thermostat PRG2
		∨				<b>POWER PRG2</b>	1-5	Set power PRG2
		∨		<b>PRG3</b>	>	<b>START PRG3</b>	OFF-00:00-23:50	Ignition time PRG3
		∨				<b>STOP PRG3</b>	OFF-00:00-23:50	Switch-off time PRG3
		∨				<b>MONDAY...SUNDAY</b>	ON/OFF	Enable/disable the days of PRG3
		∨				<b>*SET PRG3</b>	07- 37 °C	Set thermostat PRG3
		∨				<b>POWER PRG3</b>	1-5	Set power PRG3
		∨		<b>PRG4</b>	>	<b>START PRG4</b>	OFF-00:00-23:50	Ignition time PRG4
		∨				<b>STOP PRG4</b>	OFF-00:00-23:50	Switch-off time PRG4
		∨				<b>MONDAY...SUNDAY</b>	ON/OFF	Enable/disable the days of PRG4
		∨				<b>*SET PRG4</b>	07- 37 °C	Set thermostat PRG4
		∨				<b>POWER PRG4</b>	1-5	Set power PRG4

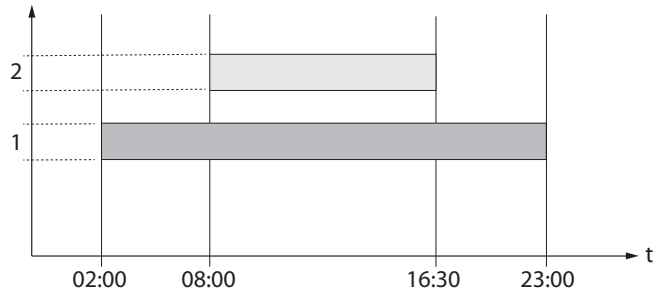
\* only in AUTOMATIC mode



WHEN THE WEEKLY PROGRAMMER IS ACTIVE, THE RELATIVE ICON WILL BE SHOWN ON THE RADIO CONTROL DISPLAY

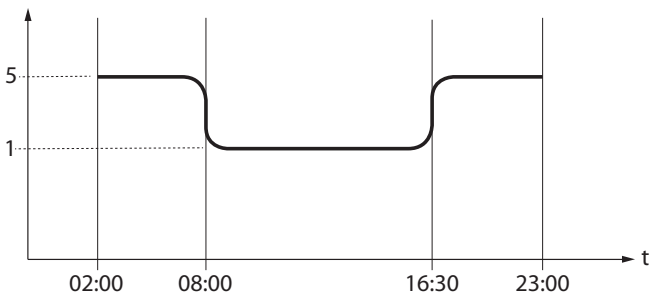


## EXAMPLE CHRONO TIME SLOT



## MANUAL

Power



Time slot 1

Start 02:00  
Stop 23:00

Power 5



Time slot 2

Start 08:00  
Stop 16:30

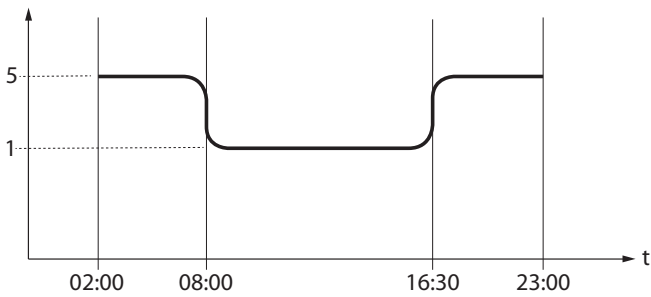
Power 1



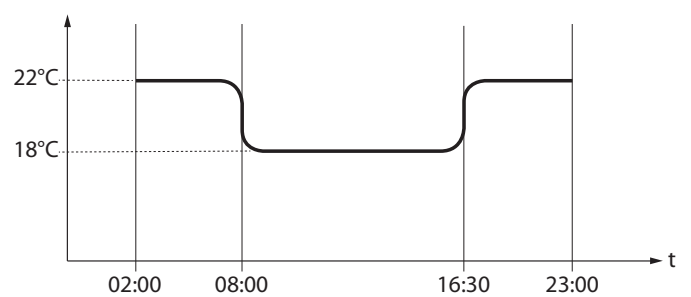
Stove setting

## AUTOMATIC

Power



Set Thermostat



Time slot 1

Start 02:00 - Stop 23:00

Power 5 - set temp 22°C



Time slot 2

Start 08:00 - Stop 16:30

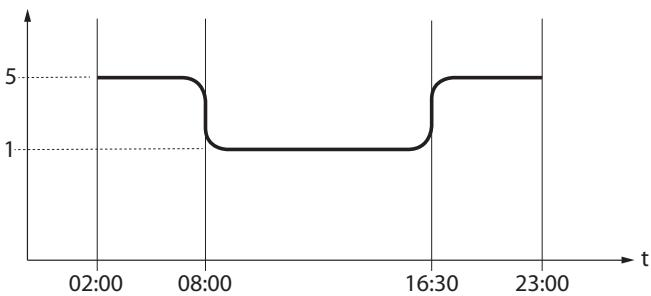
Power 1 - set temp 18°C



Stove setting

## AUX

Power



Time slot 1

Start 02:00  
Stop 23:00

Power 5



Time slot 2

Start 08:00  
Stop 16:30

Power 1



Stove setting if TA contact closed

## SETTINGS

- ◆ DATE-TIME
- ◆ LANGUAGE
- ◆ SET DEGREES

SEE CHAPTER: FIRST IGNITION SETTINGS.

### DISPLAY

The "DISPLAY" menu allows:



- ◆ Adjustment of Display contrast.
- ◆ Activation/Deactivation of backlight.
- ◆ Enabling/disabling of acoustic signal.

- STAND-BY ◆ Setting of the timer to turn off the Display backlight.
- RESET ◆ Setting of the timer to turn off the Display (sleep mode).

To set: *OK > SETTINGS > DISPLAY.*

#### SETTING THE SHORT TIME PROMOTES BATTERY LIFE

DISPLAY	
	25
	ON
	ON
STAND-BY	4sec
RESET	20sec

### STAND-BY

The STAND BY function is used if the stove needs to be turned off immediately instead of a power modulation.

To set: *OK > SETTINGS > STAND BY*

#### STAND BY FUNCTION SET TO ON

If the STAND BY function is enabled (ON) and the ambient temperature exceeds the SET THERMOSTAT + DELTA T OFF value, then the stove switches off after a preset factory delay, and STAND BY will be displayed on the screen.

When the room temperature is lower than the SET THERMOSTAT - DELTA T ON value, and after a possible cooling time, the stove switches back on.

#### STAND BY FUNCTION SET TO OFF (FACTORY SETTING)

If the STAND BY function is not active (OFF), if the stove exceeds the set room temperature it will switch to the minimum value, modulating and displaying MODULATION. When the room temperature is lower than the SET THERMOSTAT the stove will restart at the set power and WORK will be displayed on the screen.

### OPERATION WITH ADDITIONAL THERMOSTAT (OPTIONAL)

#### STAND BY FUNCTION SET TO OFF (FACTORY SETTING)

If the STAND BY function is not active (OFF), if the stove exceeds the room temperature set on the additional thermostat (contact open) it will switch to the minimum value, displaying MODULATION. When the room temperature is lower than the set value on the additional thermostat (closed contact), the stove will resume operation at the set power, and WORK will be displayed on the screen.

#### STAND BY FUNCTION SET TO ON

When the STAND BY function is active (ON), when the room temperature set on the supplementary thermostat is reached (open contact), the stove will switch off after a pre-set default delay period, and STAND BY will be displayed on the screen.

When the room temperature is less than the set temperature on the additional thermostat (closed contact), and after a certain cooling time, the stove ignites again.



**WHEN STAND BY AND AIR ZONE CONTROL ARE ACTIVE, THE GENERATOR IS SWITCHED OFF ONLY IF BOTH ROOMS (INSTALLATION, DUCTING) REACH THE SET TEMPERATURE.**



**FOR CORRECT OPERATION, SET TO AUX.  
> SEE THE INSTALLATION CHAPTER SUPPLEMENTARY THERMOSTAT**

## DELTA-T

This function allows the hysteresis thresholds to be set for stove ignition (DELTA T ON) and switch-off (DELTA T OFF), used as a room temperature adjustment interval if not managed by an external thermostat.  
The possible values of DELTA-T vary between: 0.5 - 5°C

To set: OK > SETTINGS > DELTA-T

---

## FIRST LOAD



This function allows you to activate the gearmotor for continuous pellet feeding.  
Before starting the function, make sure the stove is cold and "OFF".

To set: OK > SETTINGS > FIRST LOAD

To stop continuous feeding, simply press and hold the key  for 2 seconds.

### QUICK ACCESS:

Before starting the function, make sure the stove is cold and "OFF".

Press keys  +  at the same time for two seconds until the message "FIRST LOAD" is displayed.

To stop continuous feeding, simply press and hold the key  for 2 seconds.

---

## CLEANING

This function facilitates the normal cleaning of the combustion chamber by activating the flue gas fan.  
With the stove cold and switched "OFF", activate the CLEANING function.  
The message "DO THE CLEANING" appears.  
Open the fire door and, using the poker supplied, clean the combustion chamber.  
When cleaning is complete, close the door and end the function.

To set: OK > SETTINGS > CLEANING

---

## RESET

Allows the user to reset all editable values to the default values.

To set: OK > SETTINGS > RESET.

---

## EASY CONTROL

The function allows for two values to be set:

**OFF** (disabled - factory default)

**ON** (enabled)

Activation (EASY CONTROL = ON) is recommended in the event that there is an excessive formation of combustion residues in the flue during operation at reduced power (see FLUE EXHAUST chapter).

**Caution! It is advisable to activate the EASY CONTROL function under the supervision of a qualified technician.**

To set: OK > SETTINGS > EASY CONTROL

---

## RADIO PROBE

The RADIO PROBE is an optional accessory that controls the temperature in the installation or ducting room without having to use wired sensors.

For further details on its use and features, go to the website <https://www.lanordica-extraflame.com>

---

## DEPRESSURE NOTICE

It allows you to activate the buzzer for acoustic warnings if the door or the hopper are open.

**Please note: Activation can reduce battery life by 30%.**

**The battery life depends on the usage**

To set: OK > SETTINGS > DEPRESSURE NOTICE.

---





## CLEANING AND MAINTENANCE

**ALWAYS FOLLOW THE INSTRUCTIONS IN COMPLETE SAFETY!**

- ♦ MAKE SURE THAT THE POWER CORD IS UNPLUGGED BECAUSE THE GENERATOR MAY HAVE BEEN PROGRAMMED TO SWITCH ON.
- ♦ THAT THE GENERATOR IS COLD ALL OVER.
- ♦ THAT THE ASHES ARE COMPLETELY COLD.
- ♦ ENSURE EFFICIENT AIR EXCHANGE IN THE ROOM DURING PRODUCT CLEANING OPERATIONS.
- ♦ POOR CLEANING WILL COMPROMISE CORRECT OPERATION AND SAFETY!

## MAINTENANCE

For correct operation, the generator must undergo routine maintenance by a qualified technician, at least once a year. The periodic inspection and maintenance operations must always be performed by specialised, qualified technicians, who operate in accordance with the laws in force and the instructions given in this use and maintenance manual.



**EVERY YEAR, HAVE THE FUME EXTRACTION SYSTEM, FLUE PIPES AND "T" FITTINGS, INCLUDING THE INSPECTION CAPS CLEANED. IF PRESENT, ALSO CLEAN THE ELBOWS AND HORIZONTAL SECTIONS! THE GENERATOR CLEANING FREQUENCY IS INDICATIVE! IT DEPENDS ON THE QUALITY OF THE PELLETS AND FREQUENCY OF USE. THESE OPERATIONS MAY SOMETIMES NEED TO BE PERFORMED MORE OFTEN**

## PERIODIC CLEANING UNDER USER'S RESPONSIBILITY

The periodic cleaning operations, as indicated in this use and maintenance manual, must be performed with the utmost care after reading the instructions, procedures and frequency described in this use and maintenance manual.

### CLEANING THE SURFACES AND COVERING

**Never use abrasive or chemically aggressive detergents for cleaning!**

The surfaces must be cleaned when the generator and covering are completely cold. For the maintenance of the surfaces and metal parts, simply use a cloth dampened with water or water and neutral soap.

Failure to comply with these instructions may damage the surfaces of the generator and cause the invalidation of the warranty.

### CLEANING THE CERAMIC GLASS

**Never use abrasive or chemically aggressive detergents for cleaning!**

The ceramic glass must be cleaned when the glass is completely cold.

To clean the ceramic glass, simply use a dry brush and some damp newspaper dipped in ash. If the glass is very dirty, use a specific cleaning agent for ceramic glass. Spray a small amount on a cloth and use it on the ceramic glass. Do not spray the cleaning agent or any other liquid directly on the glass or seals!

Failure to comply with these instructions may damage the surfaces of the ceramic glass and cause the invalidation of the warranty.

### CLEANING THE PELLET HOPPER

When the hopper is completely empty, disconnect the power cord of the generator, remove the residue (dust, chippings, etc.) from the empty hopper and then fill it up.



**THE PELLET HOPPER GASKETS, BURN POT AND FIRE DOOR GUARANTEE CORRECT STOVE OPERATION. THEY MUST BE PERIODICALLY CHECKED BY THE USER. IF THEY SHOULD BE WORN OR DAMAGED THEY MUST BE REPLACED IMMEDIATELY. THESE OPERATIONS MUST BE CARRIED OUT BY A QUALIFIED TECHNICIAN.**

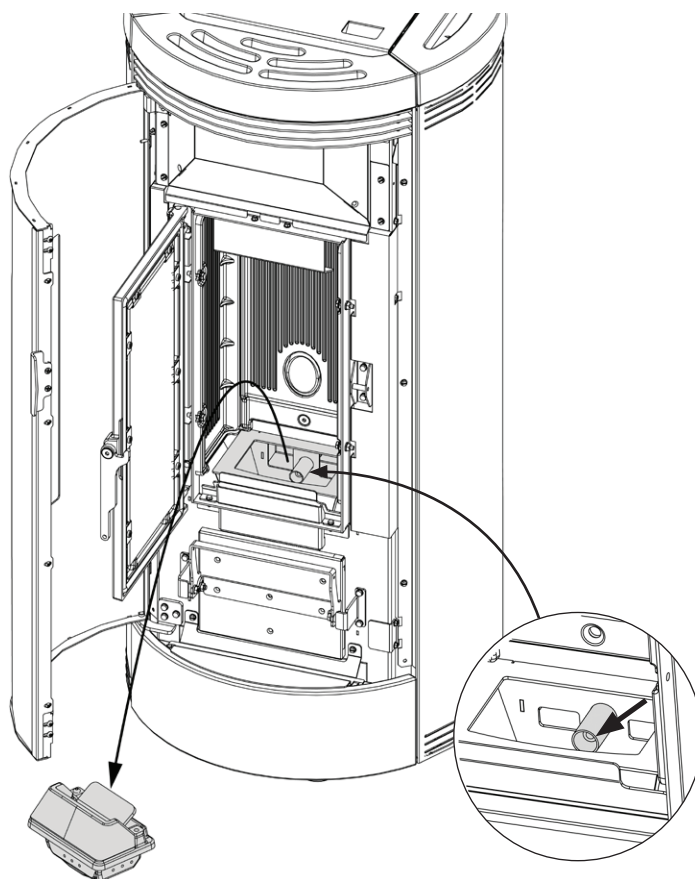


**IF THE POWER CORD IS DAMAGED, IT MUST BE REPLACED BY THE SERVICE CENTRE OR BY A SIMILARLY QUALIFIED PERSON, SO AS TO AVOID ALL RISKS.**

## BURN POT AND COMBUSTION CHAMBER:

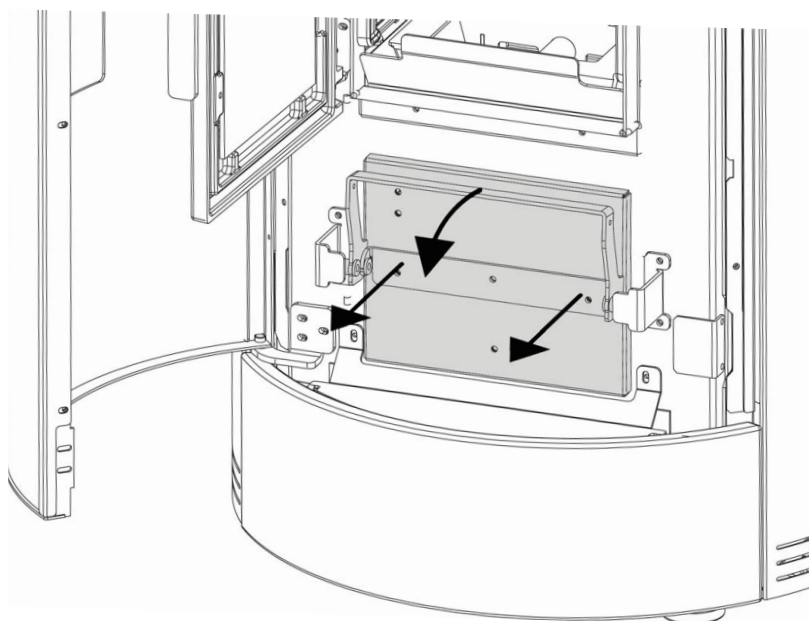
- ◆ Vacuum the residue in the burn pot
- ◆ Remove the burn pot completely from the relevant compartment;
- ◆ Vacuum the ash from the burn pot slot, ignition plug pipe holder and combustion chamber.
- ◆ Unblock all the holes in the burn pot using the supplied poker.
- ◆ Re-position the burn pot in its slot and push it towards the fire wall.

*NOTE: Use a suitable ash vacuum cleaner with a special separate container for the collected ashes.*



## ASH DRAWER:

- ◆ Remove the ash drawer and empty it into a suitable container.

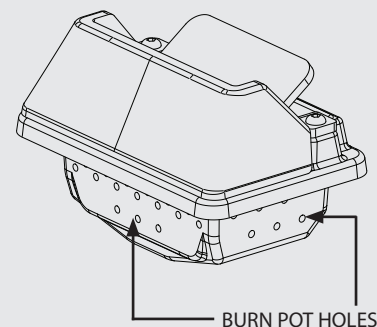


## A CLEAN BURN POT GUARANTEES CORRECT OPERATION!



BY KEEPING THE BURN POT AND ITS HOLES CONSTANTLY CLEAN AND FREE OF COMBUSTION RESIDUE, EXCELLENT COMBUSTION IS GUARANTEED OVERTIME, THUS PREVENTING ANY GENERATOR MALFUNCTIONS THAT MAY REQUIRE TECHNICAL ASSISTANCE.

THE "EASY SETUP" FUNCTION IN THE USER MENU CAN BE USED TO ADAPT COMBUSTION ON THE BASIS OF THE NEEDS DESCRIBED.



PARTS/FREQUENCY	EVERY DAY	EVERY 3 DAYS	EVERY YEAR
BURN POT (USER)	X		
COMBUSTION CHAMBER (USER)	X		
ASH DRAWER (USER)		X	
HEAT EXCHANGER AND INSPECTION COMPARTMENT (TECHNICIAN)			X
T-SHAPED FITTING / SMOKE DUCT (TECHNICIAN)			X

One day means an average use of 8h at the rated power.

How often the ash drawer is emptied depends on a number of factors: the type of pellets, the stove output, the use of the stove and the type of installation.

TO FIND OUT WHERE YOUR NEAREST SERVICE CENTRE IS, CONTACT YOUR DEALER OR VISIT THE WEBSITE: [WWW.LANORDICA-EXTRAFLAME.COM](http://WWW.LANORDICA-EXTRAFLAME.COM)

## ROUTINE MAINTENANCE PERFORMED BY QUALIFIED TECHNICIANS

### Routine maintenance must be performed at least once a year.

Given the generator uses pellets as solid fuel, it requires annual routine maintenance, which must be performed by a **Qualified technician, using only original spare parts.**

Failure to comply may jeopardise safety of the appliance and invalidate the warranty conditions.

By observing the cleaning schedule reserved to the user described in the use and maintenance manual, the generator will be guaranteed correct combustion over time, thus preventing any faults and/or malfunctions which may require subsequent technical assistance. Requests for routine maintenance are not covered by the warranty.

### GASKETS: PELLETT HOPPER LID, DOOR, ASH DRAWER AND BURN POT

The gaskets ensure the proper sealing of the stove and therefore its proper operation.

They must be periodically checked and immediately replaced if worn or damaged.

These operations must be carried out by a qualified technician.

### CLEANING THE FLUE MANIFOLD

The flue manifold must be cleaned every 2 months or whenever necessary and at the end of the season.

### CONNECTION TO THE FLUE

Annually, or in any case each time the flue pipe needs to be vacuumed and cleaned. If there are horizontal sections, the residue must be removed to prevent it from obstructing the flow of fumes.

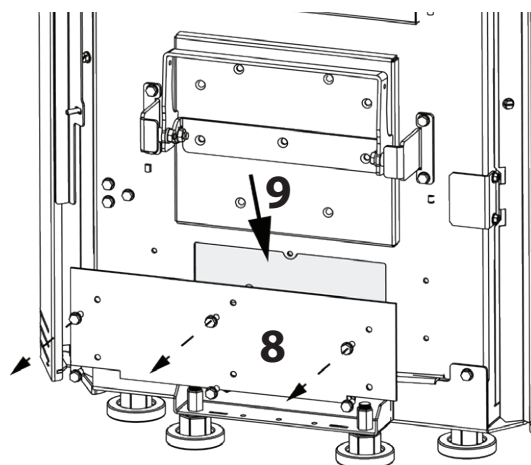
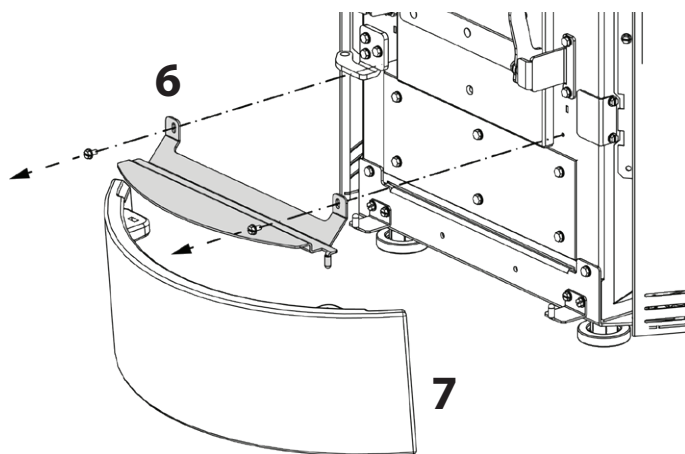
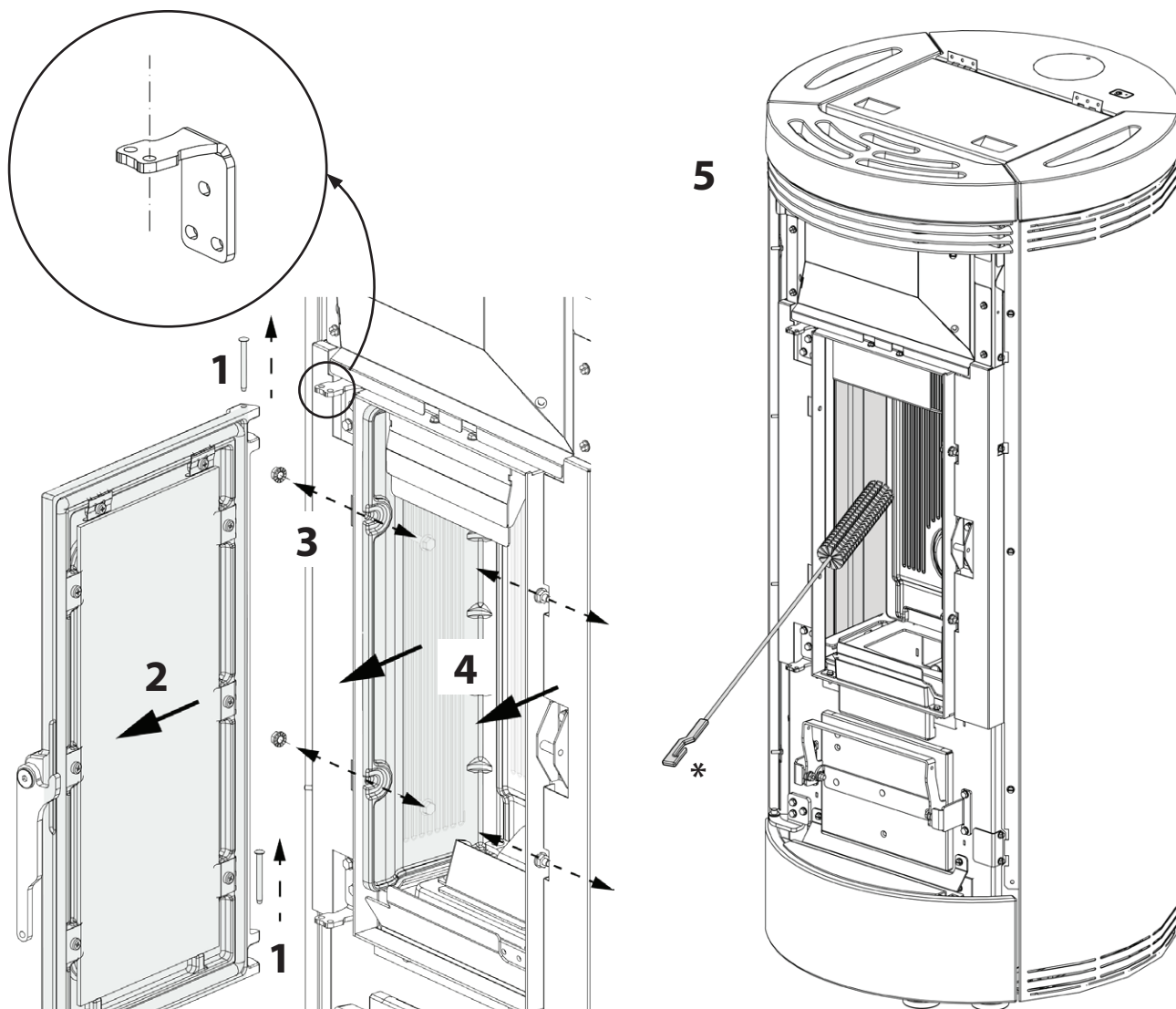
## SHUT-DOWN (END OF SEASON)

At the end of each season, before turning the stove off, it is advisable to completely empty the pellet hopper, removing any pellet residue and dust with a vacuum cleaner.

Furthermore, please disconnect the generator from the mains electricity and, for greater safety especially in the presence of children, remove the power cord.

Routine maintenance must be performed at least once a year.

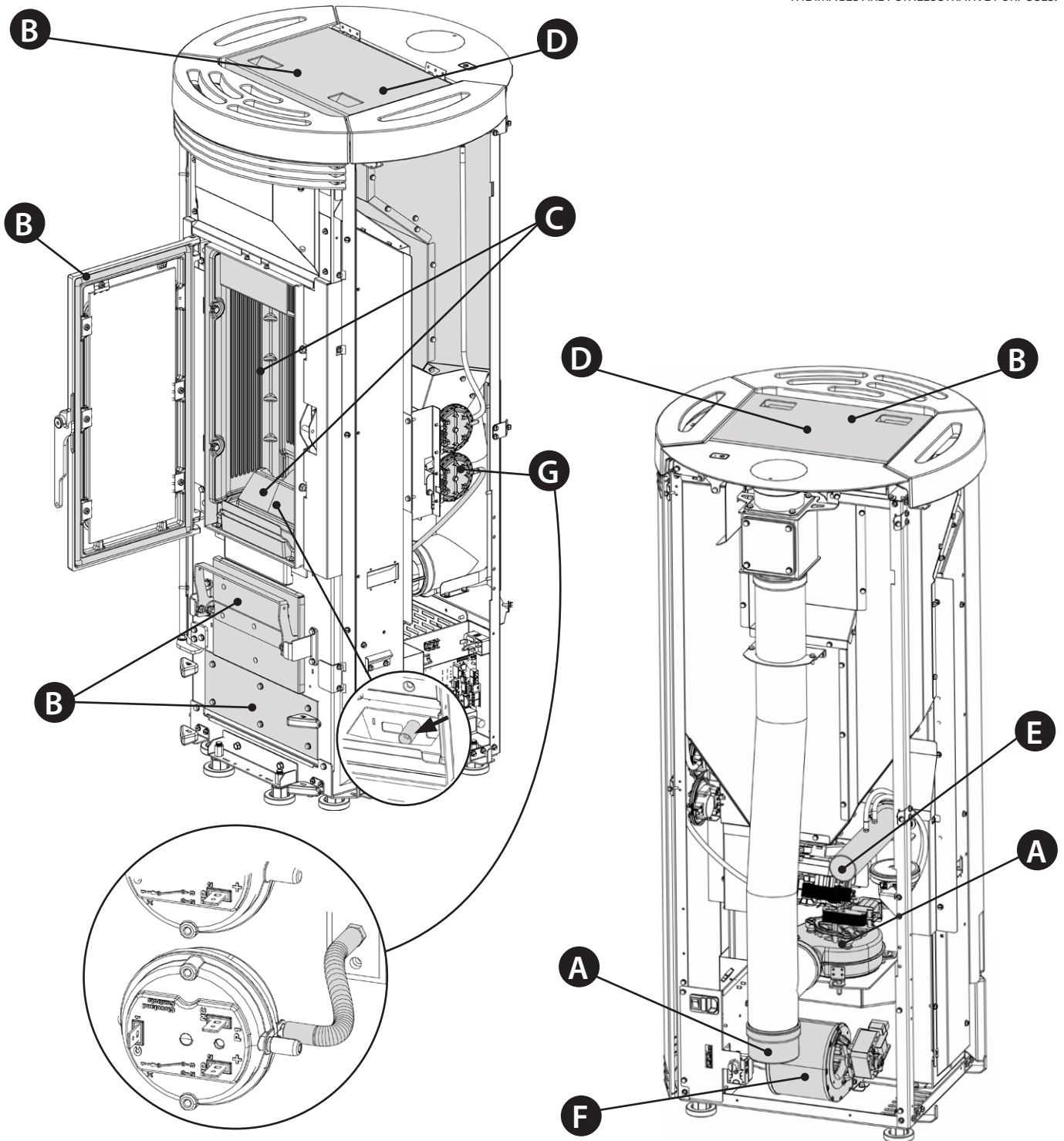
## INSPECTION COMPARTMENT AND HEAT EXCHANGER CLEANING



\* NOT SUPPLIED

TO FIND OUT WHERE YOUR NEAREST SERVICE CENTRE IS, CONTACT YOUR DEALER OR VISIT THE WEBSITE:  
[WWW.LANORDICA-EXTRAFLEME.COM](http://WWW.LANORDICA-EXTRAFLEME.COM)

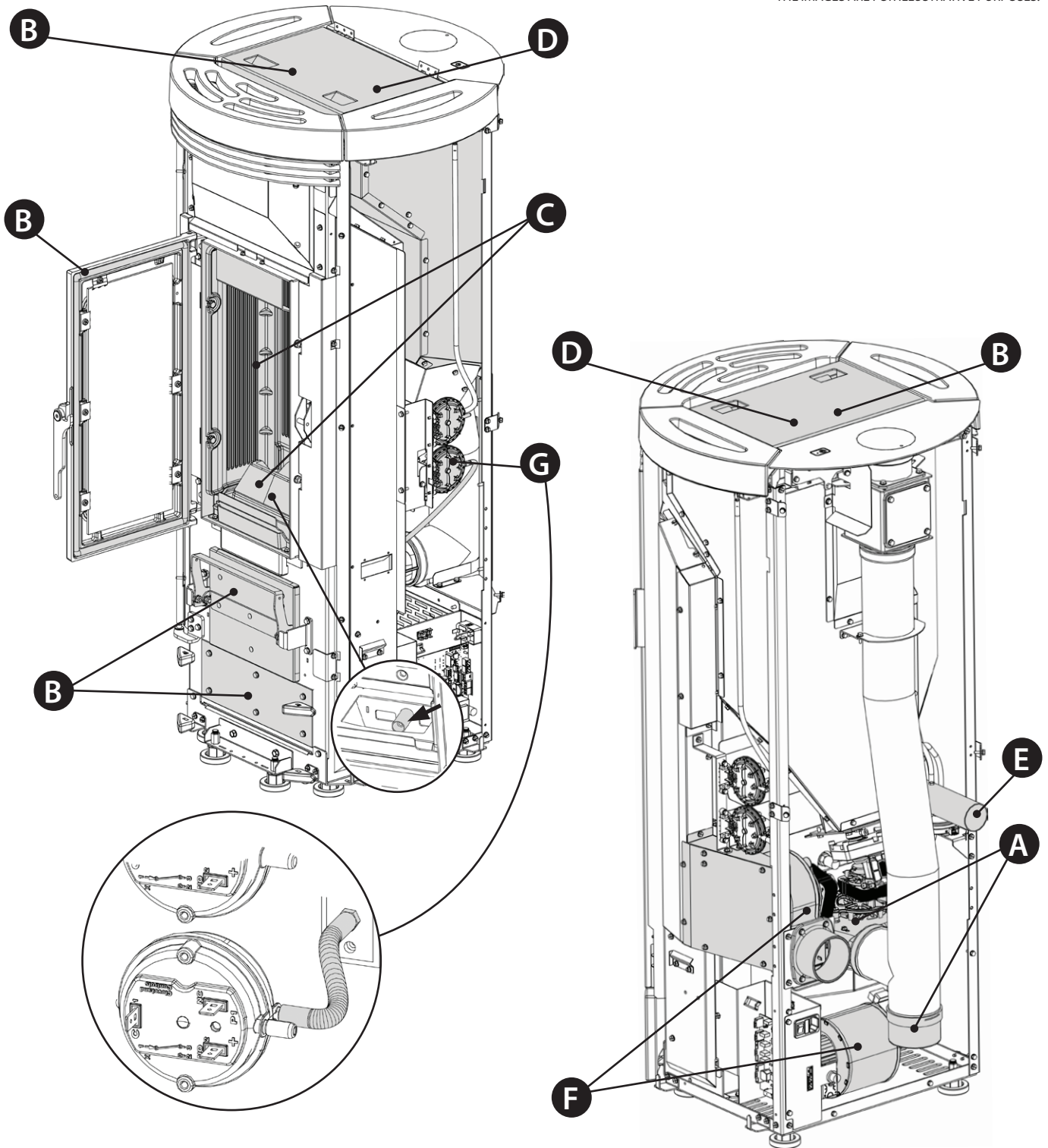
THE IMAGES ARE FOR ILLUSTRATIVE PURPOSES.



<b>A</b>	Fumes motor (dismantling and cleaning, flue pipe and "T" fitting).
<b>B</b>	Gaskets, pellet hopper, inspections, ash drawer and door (replace and apply silicone where indicated)
<b>C</b>	Combustion chamber and heat exchanger (full cleaning) including ignition plug pipe
<b>D</b>	Hopper (complete emptying and cleaning) and check gasket.
<b>E</b>	Check the air intake pipe and check/clean the mechanical pressure switch.
<b>F</b>	Remove the ambient air fan and remove any dust and pellet residue.
<b>G</b>	Remove the pressure switch hose and clean the connection.

TO FIND OUT WHERE YOUR NEAREST SERVICE CENTRE IS, CONTACT YOUR DEALER OR VISIT THE WEBSITE:  
[WWW.LANORDICA-EXTRAFLAME.COM](http://WWW.LANORDICA-EXTRAFLAME.COM)

THE IMAGES ARE FOR ILLUSTRATIVE PURPOSES.




<b>A</b>	Fumes motor (dismantling and cleaning, flue pipe and "T" fitting).
<b>B</b>	Gaskets, pellet hopper, inspections, ash drawer and door (replace and apply silicone where indicated)
<b>C</b>	Combustion chamber and heat exchanger (full cleaning) including ignition plug pipe
<b>D</b>	Hopper (complete emptying and cleaning) and check gasket.
<b>E</b>	Check the air intake pipe and check/clean the mechanical pressure switch.
<b>F</b>	Remove the ambient air fan and remove any dust and pellet residue.
<b>G</b>	Remove the pressure switch hose and clean the connection.

## DISPLAYS

DISPLAY	REASON
OFF	Generator off
START	The start-up phase is in progress
PELLET LOADING	Continuous pellet loading is in progress during the ignition phase
IGNITION	The ignition phase is in progress
PREPARATION	The preparation phase is in progress
WORK	The normal work phase is in progress
MODULATION	The generator is working at minimum
FINAL CLEANING	The final cleaning is in progress
STAND-BY	Generator off waiting for re-ignition due to the external thermostat.
COOLING STAND BY	A new ignition is attempted when the generator has just been switched off. When the generator switches off, you must wait for the complete shutdown of the fumes motor, then clean the burn pot. The generator can only be re-ignited when these operations have been performed.
BLACK OUT STAND BY	The generator is cooling after a power cut. Once cooling is completed, it will re-start automatically
AUTO BLOW	The automatic blow is active
CLOSE HOPPER-STOVE DOOR	This indication means that you have 60 seconds to close the hatch/door and the pellet lid. Once 60 seconds have passed, during ignition the stove will go into "DEPR ALARM" mode, while during normal operation the stove will go into "COOLING STAND BY" mode before automatically resuming operation once the conditions are satisfied (cold stove, etc.).
CLOSE STOVE DOOR	This indication means that you have 60 seconds to close the hatch/door and the pellet lid. Once 60 seconds have passed, during ignition the stove will go into "DEPR ALARM" mode, while during normal operation the stove will go into "COOLING STAND BY" mode before automatically resuming operation once the conditions are satisfied (cold stove, etc.).
CLOSE HOPPER	This indication means that you have 60 seconds to close the hatch/door and the pellet lid. Once 60 seconds have passed, during ignition the stove will go into "DEPR ALARM" mode, while during normal operation the stove will go into "COOLING STAND BY" mode before automatically resuming operation once the conditions are satisfied (cold stove, etc.).
MIN DELTA-P	The appliance detects abnormal conditions in the combustion air or flue gas outlet flows.
AIR ZONE CONTROL	This message, visible in the WORK phase, indicates that the appliance is optimising the distribution of hot air between the installation room and the ducted room.

## ALARMS

DISPLAY	EXPLANATION	SOLUTION
	Indicates the presence of an alarm.	On: indicates the presence of an alarm The alarm can only be reset if the fumes motor has stopped and 15 minutes have passed since the alarm was displayed, by pressing key 6 for 3 seconds.
FUMES MOTOR FAULT	Fumes motor fault	Contact after-sales centre
FUMES PROBE	Fumes probe fault.	Contact after-sales centre
HOT FUMES	High fumes temperature	Check pellet feed (see "EASY SETUP"), if the problem cannot be solved, contact a qualified technician.
NO IGNITION	The pellet hopper is empty. Pellet feed calibration inadequate. Thermostat bulbs tripped.	Check for the presence of pellets in the hopper. Adjust the pellet flow (see "EASY SETUP"). Check the procedures described in the "IGNITION" chapter. Check bulb thermostats (see chapter on Resetting)
NO FLAME	The pellet hopper is empty. No pellet feed. The gearmotor does not feed pellets.	Check for the presence of pellets in the hopper. Adjust the pellet flow (see "EASY SETUP"). *Check bulb thermostats (see chapter on Resetting)
DEPR ALARM	The door is not closed correctly. The ash drawer is not closed correctly (if present)	Check hermetic door closure. Check hermetic closure of the ash drawer (if present).
MIN DELTA-P ALARM 1	The combustion chamber is dirty. The fumes exhaust pipe is blocked/dirty The vacuum detection channel inside the ash drawers is clogged.	Check cleanliness of the fumes pipe and the combustion chamber. Check and clean the hose connection and the ash drawer pressure switch tube. Contact after-sales centre

\*IF PRESENT





## DISPOSAL

### INFORMATION FOR MANAGEMENT OF ELECTRIC AND ELECTRONIC APPLIANCE WASTE CONTAINING BATTERIES OR ACCUMULATORS



This symbol, which is used on the product, batteries, accumulators or on the packaging or documents, means that at the end of its useful life, this product, the batteries and the accumulators included must not be collected, recycled or disposed of together with domestic waste. Improper management of electric or electronic waste or batteries or accumulators can lead to the leakage of hazardous substances contained in the product. For the purpose of preventing damage to health or the environment, users are kindly asked to separate this equipment and/or batteries or accumulators included from other types of waste and to arrange for disposal by the municipal waste service. It is possible to ask your local dealer to collect the waste electric or electronic appliance under the conditions and following the methods provided by national laws transposing the Directive 2012/19/EU.

Separate waste collection and recycling of unused electric and electronic equipment, batteries and accumulators helps to save natural resources and to guarantee that this waste is processed in a manner that is safe for health and the environment.

For more information about how to collect electric and electronic equipment and appliances, batteries and accumulators, please contact your local Council or Public Authority competent to issue the relevant permits.





# **Extraflame**®

## Riscaldamento a Pellet

**EXTRAFLAME S.p.A.** Via Dell'Artigianato, 12 36030 - MONTECCHIO PRECALCINO (VI) - ITALY  
☎ +39.0445.865911 - 📠 +39.0445.865912 - ✉ info@extraflame.it - 🌐 www.lanordica-extraflame.com

**MADE IN ITALY**  
design & production

*TO FIND THE SERVICE CENTRE NEAREST TO YOU  
CONTACT YOUR DEALER OR CONSULT  
THE SITE [WWW.LANORDICA-EXTRAFLAME.COM](http://WWW.LANORDICA-EXTRAFLAME.COM)*

The manufacturer reserves the right to vary the characteristics and the data reported in this pamphlet at any moment and without notice, in order to improve its products.