

EN 13229

BlmSchV Stufe 2

Regensburger BStV / Aachener BStV / Munchener BStV

LRV

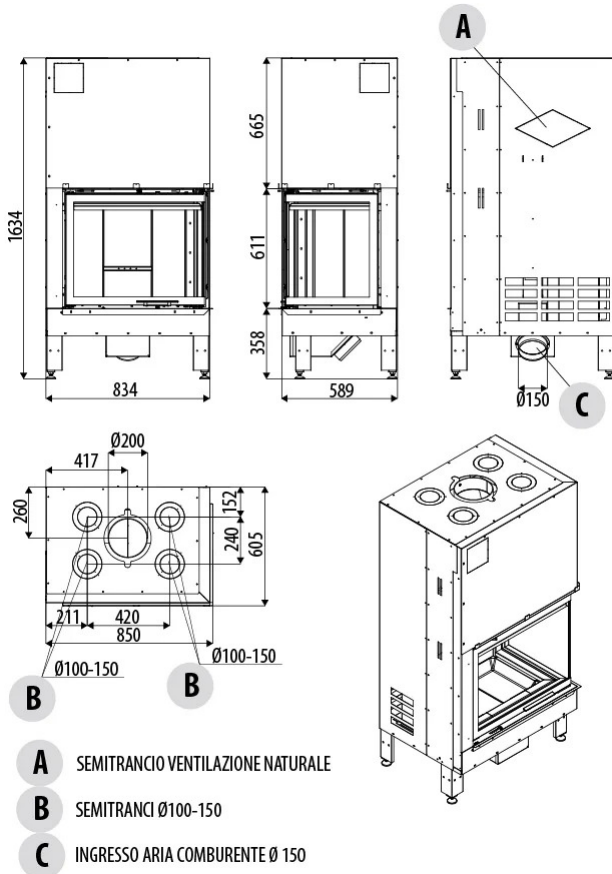
4 stelle DM.186



<b>(Max) nominal heat output</b>	<b>15.5 kW</b>
<b>Minimum heat output</b>	<b>6.6 kW</b>
<b>Efficiency at Max</b>	<b>80.1 %</b>
<b>Efficiency at Min</b>	<b>80.8 %</b>
<b>Energy Efficiency Class (A++ / G scale)</b>	<b>A</b>
<b>Energy Efficiency Index (EEI)</b>	<b>106 %</b>
<b>Seasonal space heating energy efficiency (ηs)</b>	<b>70 %</b>
<b>Temperature of exhaust smoke at Max</b>	<b>263 °C</b>
<b>Temperature of exhaust smoke at Min</b>	<b>221 °C</b>
<b>Particulate/OGC / Nox (nominal at 13%O2)</b>	<b>20 - 60 - 103 mg/Nm3</b>
<b>CO at 13% O<sub>2</sub> at Min and at Max</b>	<b>0.116 - 0.1 %</b>
<b>CO<sub>2</sub> at Min and at Max</b>	<b>7.6 - 8.9 %</b>
<b>Recommended draught at Max power</b>	<b>12 Pa</b>
<b>Minimum draught allowed for minimum power</b>	<b>10 Pa</b>
<b>Mass of smoke at Min and at Max</b>	<b>7 - 14 g/sec</b>
<b>Fuel dimensions</b>	<b>L 250 ÷ 330mm</b>
<b>Hourly consumption at Min and at Max</b>	<b>1.9 - 4.5 kg/h *</b>
<b>Heatable volume m3</b>	<b>282 - 443 - 775 **</b>
<b>Combustion air inlet</b>	<b>Ø 150 mm</b>
<b>Air inlet</b>	<b>180 cm2</b>
<b>Smoke outlet</b>	<b>Ø 200 mm</b>
<b>Net weight</b>	<b>312 kg</b>
<b>Distance from combustible material (back/side/under)</b>	<b>160 mm / 160 mm / 220 mm</b>
<b>Distance from combustible material (front/ceiling)</b>	<b>800 mm / 1000 mm</b>

\* Data that may vary depending on the type of pellets used.

\*\*Heatable volume based on the requested power per m3 (respectively 55-35-20 W/m3)



EN 13229

BlmSchV Stufe 2

Regensburger BStV / Aachener BStV / Munchener BStV

LRV

4 stelle DM.186



<b>(Max) nominal heat output</b>	<b>15.5 kW</b>
<b>Minimum heat output</b>	<b>6.6 kW</b>
<b>Efficiency at Max</b>	<b>80.1 %</b>
<b>Efficiency at Min</b>	<b>80.8 %</b>
<b>Energy Efficiency Class (A++ / G scale)</b>	<b>A</b>
<b>Energy Efficiency Index (EEI)</b>	<b>106 %</b>
<b>Seasonal space heating energy efficiency (ηs)</b>	<b>70 %</b>
<b>Temperature of exhaust smoke at Max</b>	<b>263 °C</b>
<b>Temperature of exhaust smoke at Min</b>	<b>221 °C</b>
<b>Particulate/OGC / Nox (nominal at 13%O2)</b>	<b>20 - 60 - 103 mg/Nm3</b>
<b>CO at 13% O<sub>2</sub> at Min and at Max</b>	<b>0.116 - 0.1 %</b>
<b>CO<sub>2</sub> at Min and at Max</b>	<b>7.6 - 8.9 %</b>
<b>Recommended draught at Max power</b>	<b>12 Pa</b>
<b>Minimum draught allowed for minimum power</b>	<b>10 Pa</b>
<b>Mass of smoke at Min and at Max</b>	<b>7 - 14 g/sec</b>
<b>Fuel dimensions</b>	<b>L 250 ÷ 330mm</b>
<b>Hourly consumption at Min and at Max</b>	<b>1.9 - 4.5 kg/h *</b>
<b>Heatable volume m3</b>	<b>282 - 443 - 775 **</b>
<b>Combustion air inlet</b>	<b>Ø 150 mm</b>
<b>Air inlet</b>	<b>180 cm<sup>2</sup></b>
<b>Smoke outlet</b>	<b>Ø 200 mm</b>
<b>Net weight</b>	<b>312 kg</b>
<b>Distance from combustible material (back/side/under)</b>	<b>160 mm / 160 mm / 220 mm</b>
<b>Distance from combustible material (front/ceiling)</b>	<b>800 mm / 1000 mm</b>

\* Data that may vary depending on the type of pellets used.

\*\*Heatable volume based on the requested power per m3 (respectively 55-35-20 W/m3)