



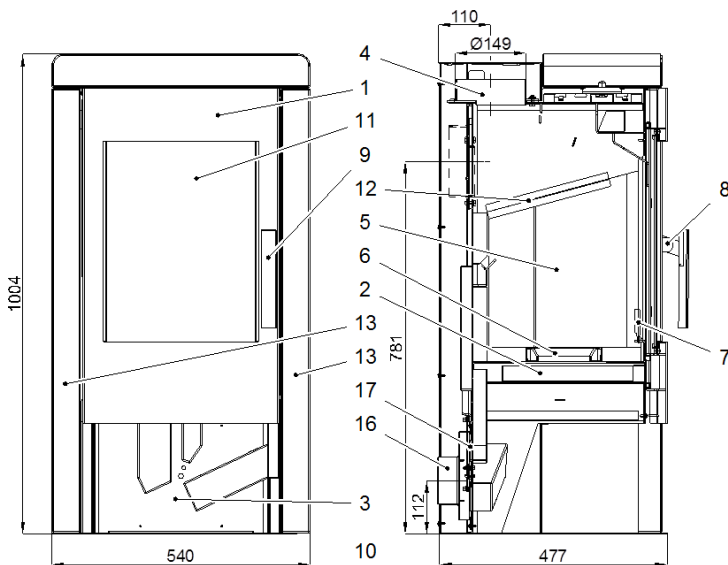
Equipment sheet fireplace Pyrus 294.15-ST

042941510000

0429415110000

0429415130000

0429415140000



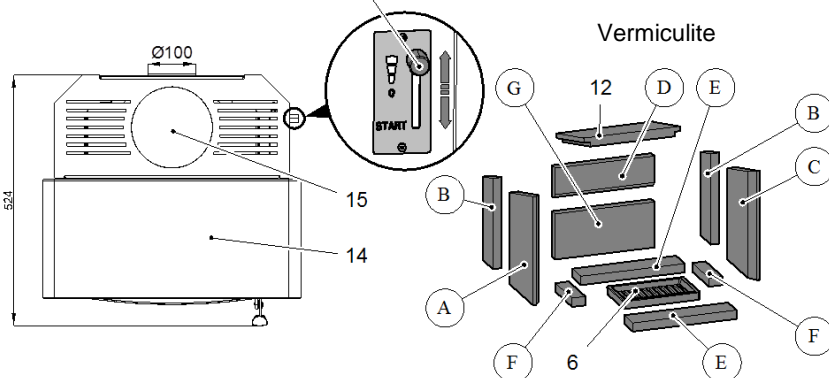
Suitable fuels:

The following materials are approved for burning in your fireplace (refer also to chapter 5.1.):

Dry, natural wood, wood briquettes according to DIN 51731;

Fuel quantities, setting of combustion air damper, operation:

See chapters 5.4, 5.5 and 5.6 in the Operating Instructions and table below.



Item. no.	Stone Nr.	Dimension
0429415005501	A	30x220x370
0429415005502	B	30x80x307
0429415005503	C	30x220x370
0429415005504	D	30x105x340
0429415005505	E	30x80x355
0429415005506	F	30x45x155
0429415005507	G	30x153x340

Fuels	Maximum fuel quantity	Air damper (10) heating up	Air damper (10) closed	Air damper (10) heating
Wood billets, wood briquettes	2 billets (approx. 1,5 – 2,0 kg) or 1 wood briquette (1,5 kg)	Position below (10 minutes)	Position middle	Position above

Spare parts no.	Item	Designation	Spare parts no.	Item	Designation
0429515055300	1	Fire chamber door - black	0429415510010	13	Side parts – Serpentino antik
0429415005030	2	Ash pan	0429415550010	13	Side parts – Whiterock
-	3	Wood storage compartment	0429415530010	13	Side parts – Speckstein
0434215005049	4	Smoke pipe spigot	0429415500020	14	Cover plate – Woodstone Prestige
-	5	Refractory	0429415510020	14	Cover plate – Serpentino antik
0020100130005	6	Grating 260x152x28	0429415550020	14	Cover plate – Whiterock
0429415005036	7	Upright grating 70x280 - black	0429415530020	14	Cover plate – Speckstein
0429515055318	8	Fire chamber + mounting door handle	0331415005060	15	Cover - black
0420915005625	10	Easycontrol – Regulator knob	0088500050008	16	Outside air - pipe fitting
0429515055306	11	Glass pane 438x320	0429515055645	17	Air control unit
0429415005703	12	Draft deflection plate 30x264x330	0040300110005	-	Seal door 11mm
0429415500010	13	Side parts – Woodstone Prestige	0040210040005	-	Seal glass 10x4mm

Technical data:		Pyrus 294.15-ST	
Height	1004 mm	Flue gas temperature on the spigot of the heat generator	300 °C
Width	540 mm	Minimum delivery pressure	12 Pa
Depth without handles	477 mm	Minimum delivery pressure with 0.8 times rated thermal capacity	10 Pa
Weight PD/ST	179/197 kg	Flue mass flow	5,4 g/s
Pipe spigot	150 mm	Fuel	Wood
Rated heating capacity	6 kW	CO ₂	0,07%
Thermal output range	3,0-6,4 kW	Efficiency	81,5%
Inspection no. EN 13240 RRF-40 13 3244			