

**HAAAS  
+  
SOHN**

**Wood stoves EN13240 / RLU-C DIN 18897 / EASY  
CONTROL**

Nameplate:

---

**Installation and operating manual**  
Wood stoves EN13240 / RLU-C DIN 18897 / EASY CONTROL

---

**GB**

**0415017001409b**

Please read through these operating instructions carefully. You will be informed about the function and handling of this stove and you will also save fuel and conserve the environment by heating correctly. The attached **equipment sheet** is part of these operating instructions.

## Notes in the text



Of utmost importance there are the notes entitled **WARNING**. The notes entitled **WARNING** advise you on **serious danger of damage to the heating device or of an injury**.



The note entitled **Notice** advises you on possible damage to your heating device.



The note itself calls your attention to the information important for the operation of your heating device in general.

# Contents

<b>1. General instructions</b> .....	1
<b>2. Safety instructions</b> .....	1
2.1. Safety instructions without RLU .....	1
2.2. Safety instructions with RLU .....	1
2.3. Proper conduct in case of a fire in the chimney! .....	2
<b>3. Chimney</b> .....	2
3.1. Weather conditions .....	2
3.2. The draft of the chimney at nominal heating output of the stove .....	2
3.3. Connection to the chimney .....	2
<b>4. Emplacement</b> .....	3
4.1. Minimum distances from inflammable construction parts: .....	3
4.2. Inlet of combustion air .....	4
4.3. Input connection of external air(provided it is installed) .....	4
<b>5. Operation of the fireplace stove</b> .....	4
5.1. Suitable fuels .....	4
5.2. Unsuitable fuels .....	5
5.3. First putting in operation .....	5
5.4. Ignition .....	5
5.4.1. Ignition with the air control EASY CONTROL .....	5
5.4.2. Ignition without the air control EASY CONTROL .....	6
5.5. Stoking of fuel .....	7
5.5.1. Chimney stove with EASY CONTROL .....	7
5.5.2. Chimney stove without EASY CONTROL .....	7
5.6. Overheating .....	7
5.7. Removal of ashes .....	8
<b>6. Cleaning and servicing</b> .....	8
<b>7. Defects, reasons</b> .....	8
<b>8. Guarantee</b> .....	9
<b>9. Orders of spare parts / questions of the service / complaints</b> .....	10
9.1. Orders of spare parts .....	10



# 1. General instructions

- When unpacking the appliance, please check whether it has not suffered harm during transport. Report possible faults to your specialised vendor of stoves immediately!  
Note: The return draft boards which are loose or which loosened from their embedding etc. do not constitute defects (see Specification –First putting into service).
- During the installation, connection and putting in operation there must be observed national and European standards, local and building regulations, as well as the Building Order of the respective country, or the Decree of fire-boxes.
- The fireplace stove, described in this Manual, has been checked according to DIN EN13240. The door of the combusting space must be closed during the heating always.
- The fireplace stove is a fire box for interrupted combustion, and is suitable for multiple employment of a chimney. Please observe the international regulations.

## 2. Safety instructions

- With the stoves equipped with an intake of external air, the orifice must not be closed during operation of the stove.
- During operation of the stove, the installed orifice for the intake of combustion air must not be closed, partially closed, straitened, covered or blocked.
- During the operation, the fireplace stove warms up intensely. Therefore, the stove is attended employing a protecting glove which is included in the scope of the delivery.
- Alert children to this danger, and take care that they may not linger in the vicinity of the stove when it is in operation.

### 2.1. Safety instructions without RLU

- If the combustion air is taken from the living room, a sufficient input of fresh air must be secured in any case.
- The appliances for suction of air, such as ventilation appliances, fume hoods, laundry driers with discharge of waste air etc., or other fire boxes must not exert a negative impact on the supply of air to the stove.



#### **WARNING**

The fireplace stove must not be brought into operation at the same time with the controlled ventilation appliances in the flat.

---

### 2.2. Safety instructions with RLU

- For a tight chimney design (therefore, in the case of multiple recess of the chimney, it is not possible), the stove match the FC41x type (for LAS system) and FC51C type, according to the approval criteria for solid fuel heaters, independent of the room air of the Deutsches Institut für Bautechnik (DIBt) and to the DIN 18897-1 standard.
- In combination with technical devices for ambient air (controlled ventilation and exhaust ventilation devices, kitchen hoods, exhaust fans, etc.) in Germany, the Section 4 of the Heaters Decree (FeuVo) is decisive.

## 2.3. Proper conduct in case of a fire in the chimney!

- If employing improper or wet fuel, a fire can be produced in the chimney due to the accretions in the chimney.

### Proper conduct:

- Shut all the air orifices of the stove immediately.
- Inform the fire brigade and the chimneysweep.
- Provide access to cleaning orifices.
- Once the fire is over, have the chimney inspected by an expert in fissures and leaks.
- Ascertain the reason of the fire in the chimney.

## 3. Chimney

### 3.1. Weather conditions

For safe operation of the fire box, it is always necessary to secure that the chimney may have a sufficient draft. In particular, this issue must be taken in consideration in transition seasons (e.g. in the spring, in the autumn etc.).

### 3.2. The draft of the chimney at nominal heating output of the stove

min. draft of the chimney (from type): 11-12 Pa

If the minimum draft of the chimney is not achieved, a proper operation of the stove is not possible.



#### Note

At a low draft of the chimney, we recommend to connect the chimney by a vertical tube, 1 m long at least.

GB

max. draft of the chimney: 20 Pa



#### Note

If surpassing the maximum admissible draft of the chimney, there increases the consumption of fuel, the temperature in the combustion space and consequently, the heating output.

There arises the danger of overheating, and consequently, excessive load on construction parts. In case of excessive draft of the chimney, we recommend to install a draft controller or a draft limiter.



### WARNING

Prior to the installation, it is always necessary to calculate the chimney according to the standard.

### 3.3. Connection to the chimney

- The tube of the smoke flue must be mounted on the neck of the discharge of combustion products.

- The tube of the smoke flue must not be installed with a gradient towards the chimney.
- There must be paid attention unconditionally that the tube of the smoke flue may not protrude into clear diameter of the chimney; it would disturb the upward lift of the combustion products and would make an optimum cleaning of the chimney more difficult.
- Longer horizontal sections of smoke flue tubes reduce the necessary draft of the chimney.
- All the orifices mouthed into the same chimney, such as cleaning orifices of the stove and of the chimney, must be shut.
- In case of multiple employment of the chimney, the minimum vertical distance of two chimney connections ought to be 30 cm at least. As a matter of principle, the fire places must be suitable and approved for multiple employment of the chimney.

## 4. Emplacement

### 4.1. Minimum distances from inflammable construction parts:



#### CAUTION

---

As a matter of principle, the emplacement of a fireplace stove must observe the valid official fire-fighting regulations.

In this respect, please observe the international regulations.

---



#### WARNING

---

Caution! As minimum distances from inflammable materials or materials sensitive to heat (e. g. furniture, wallpapers, wooden linings), or load-bearing walls respectively, there must be respected the distances shown in the type plate.

In case of inflammable floorings or the flooring sensitive to heat, the appliance must be placed on an incombustible floor plate (e. g. a glass panel) (see the drawing).

---



#### WARNING

---

Caution! With a stove with lateral window, the same distance must be maintained as with the extent of radiation in the front!

---

Recommended protection of the floor:

A 50 cm – in the front

B 30 cm – from the inside edge of the combustion space

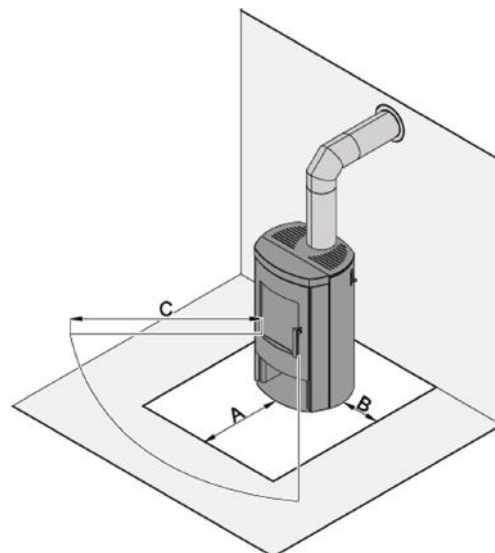
C see the type plate – extent of radiation from the window

**Safety distances from inflammable construction parts:**

In the rear - see the type plate

On the side - see the type plate

In the front in the extent of radiation - see the type plate



## 4.2. Inlet of combustion air

It is necessary to ensure that in the place of location of the stove there would be available sufficient combustion air.

## 4.3. Input connection of external air(provided it is installed)



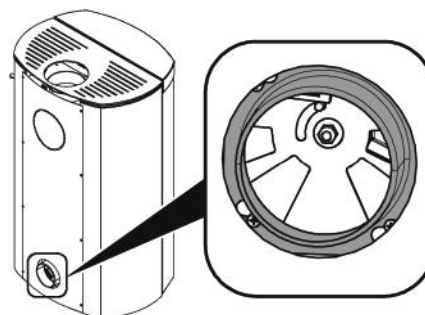
**Note**

We recommend to employ an input connection of external air for the supply of combustion air, so that precious air from the living room might not be consumed during heating.



**WARNING**

We do not recommend to bring cold air from outside to the room by means of direct conduction; it could bring about formation of condensate.



## 5. Operation of the fireplace stove

### 5.1. Suitable fuels

The fuels approved for combustion and the maximum stoking amounts of fuel are shown in the specification of the appliance.

The length of the fuel varies from 29 cm to 33 cm, depending on the combustion chamber.

Orientating value (depending on the type of the wood):

1 kg of fire wood = about 4 kW



1 kg of wood briquettes = about 5 kW



#### Note

Wood briquettes expand during combustion, and therefore, they ought to be broken to pieces.

## 5.2. Unsuitable fuels

Never use for heating any waste, wallpapers, rests of chipboards, plastics or impregnated wood! When combusting such materials, the appliance can suffer damage, by the consequence of which any guarantee ceases to exist.

## 5.3. First putting in operation

Prior to first putting in operation, it is necessary

- To remove stickers, if there are any.
- To take out all accessories from the ash-pan or from the combustion space.
- Check whether the return draft boards (see the specification of the appliance – spare part combustion space, figure A) are mounted in their embeddings. These can shift during the transport or installation of the fireplace stove.



#### CAUTION

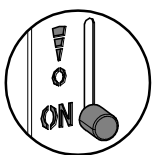
During the first putting in operation, a stench can be produced for a short time. Please provide for this time sufficient ventilation of the room where the stove has been installed, and avert direct inhalation.

## 5.4. Ignition

### 5.4.1. Ignition with the air control EASY CONTROL

- First of all, lay logs according to their size (about 1.5 – 2.0 kg) on the bottom of the combustion space or on the grate, lay on them a block of solid fire-brand, and on the top, sufficient amount of kindling chip (for ignition). The indicated amount of wood refers to the first ignition ONLY.
- The lever must be set up to "Ignition "ON". After the ignition, the door of the combustion chamber is to be closed.
- The course of ignition depends on the draft of the chimney. As soon as complete fuel starts burning lively, the lever is to be re-set to "Heating operation regime".

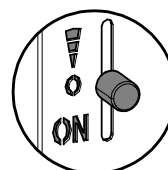
Ignition



Heating



Closed input of air



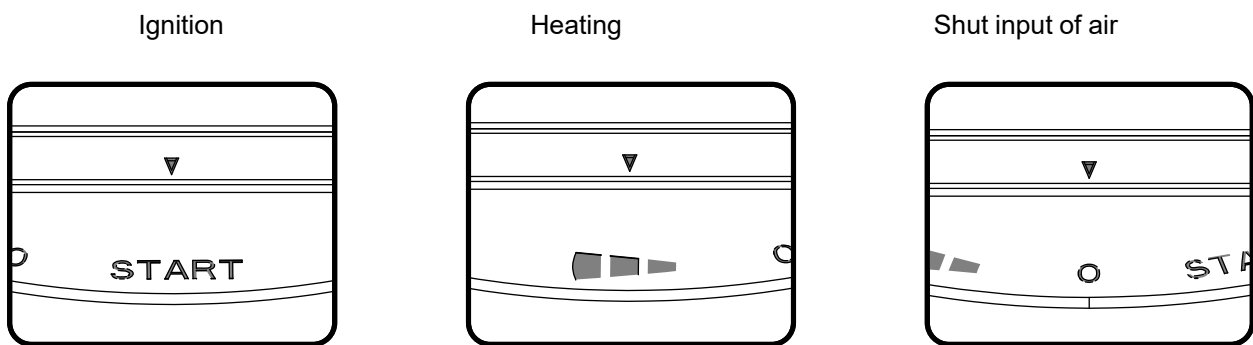


## WARNING

During the operation regime of heating, the lever must not be set to "Shut input of air" "0"; it could bring about a sudden inflammation of fuel.

### 5.4.1.1. Ignition - London II, Hillington, Kensington, Fulham, Westminster

- First of all, lay logs according to their size (about 1.5 – 2.0 kg) on the bottom of the combustion space or on the grate, lay on them a block of solid fire-brand, and on the top, sufficient amount of kindling chip (for ignition). The indicated amount of wood refers to the first ignition ONLY.
- The lever must be set up to "Ignition "START". After the ignition, the door of the combustion chamber is to be closed.
- The course of ignition depends on the draft of the chimney. As soon as complete fuel starts burning lively, the lever is to be re-set to "Heating".

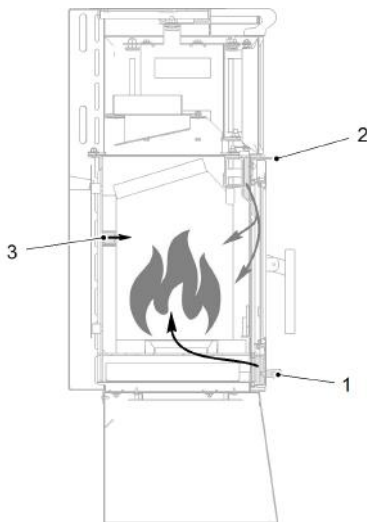


## WARNING

During the operation regime of heating, the lever must not be set to "Shut input of air" "0"; it could bring about a sudden inflammation of fuel.

### 5.4.2. Ignition without the air control EASY CONTROL

- First, insert chunks onto the bottom of combustion chamber or onto the grid, by size (approx. 1.5 to 2.0 kg). Then, put a solid fire-lighter cube on the chunks, and a small amount of fine wood onto the top. The above mentioned amount of the wood is ONLY for heating.
- All air slide valves (primary and secondary air regulators) must be fully opened. After flooding, the combustion chamber door must be closed. The heating process depends on the draft of the chimney. Once the complete fuel starts to burn, the "Primary Air Regulator" slide valve must be closed.



#### Combustion air

- 1 - Primary air controller
- 2 - Secondary air controller
- 3 - Tertiary air

## 5.5. Stoking of fuel

The fuel should be laid on live embers only (without flame).

### 5.5.1. Chimney stove with EASY CONTROL

- Before opening the door of the fire box, the lever should be brought to the position "Input of air closed" 0", in order to avoid the escape of combustion products to the living room.
- After stoking of fuel, close the door of the fire box again.
- Next, set the lever to the position "Ignition" again ON, so that the time interval to the inflammation of fuel might be as short as possible.
- As soon as fuel starts burning lively, the lever is to be re-set again to "Heating operation regime".

### 5.5.2. Chimney stove without EASY CONTROL

- Before opening the firebox door, all registers should be closed, in order to minimize the escape of flue gases into the living space.
- After having added fuel (concerning the max. admissible quantity), close the firebox door shut again.
- Next, the regulation of primary and secondary air must be opened to maximum.
- Once the fuel starts to burn, the primary air regulator must be closed - the secondary air regulator remains open. Exception for secondary air control: In the case of the Auto Air device function, eventually in the case of Auto Air coal, the air regulation cannot be adjusted manually, because it works automatically.

## 5.6. Overheating



### WARNING

In order to avoid damage to the appliance due to overheating, there must not be exceeded the maximum oneshot stoking amount of fuel (see specification of the appliance). It can bring about damage to fire clay, grate, pile grating, formation of fissures in tiles, tinting of parts of the casing, heat accumulating bricks and glass, deformation of metal sheet parts, destruction of sealing and of the glass board of the cover etc. All the rights arising from the guarantee cease to exist.

## 5.7. Removal of ashes

After longer heating, but once a week at least, it is necessary to rake out ashes into the ash-pan by means of a poker, and to empty the ash-pan. Please mind to empty the ash-pan meanwhile it is approximately half-full, so that the layer of ashes may not touch the grate.



### CAUTION

There is a danger that the circulation of air might be interrupted, and of insufficient cooling as the consequence, which can bring about overheating and damage to the grate.



### WARNING

Before removal of ashes, check always whether there are no remains of live fuel in the ashes. Even in cold ashes, there may possibly remain rests of live fuel, and bring about fire in the waste bin.

## 6. Cleaning and servicing

- Once in a year at least, or more often in case of need, you should clean the fireplace stove in cold state, and service it. During the servicing, it is necessary to remove accumulated ashes from the tube of the smoke flue and from boards changing the smoke direction or from the return draft boards. The return draft boards can be taken out for cleaning (see the specification of the appliance).
- Glass of the door: For ecological cleaning, we dip a wet dishcloth in wood ashes, and clean the glass with it. Also, it is possible to employ special cleaning agents for the glasses of fireplace stoves, or regular agents for cleaning of glass (without caustic acids and solvents).
- It is also necessary to have the chimney cleaned by a chimneysweep. The respective chimneysweep will give you information of the necessary intervals.



### Note

A fireplace stove ought to be checked by a professional every year.

GB

## 7. Defects, reasons

Defect:	Reason:	Suppression:
The stove heats poorly or it smokes:	The draft of the chimney is too low (min. 10 Pa. in the neck of combustion products)	Seal the chimney cleaning orifices that are not tight. Have the draft of the chimney measured by the chimneysweep in charge.
	The stove or the smoke flue tubes are clogged with soot	The stove and the smoke flue tubes are to be cleaned in time
	The connection tube of the stove to the chimney is not tight	Check the connection tube and seal it
	The amount of fuel in the stove is excessive	Use the amount of fuel as per the specification

	The stove has not been connected properly, or the chimney is overcharged	Consult the chimneysweep
	The input of external air is missing	Day-to-day shock ventilation
	Bad weather conditions (transition seasons)	Set up the lever of air control to "Ignition".
	Too large wood logs	Use smaller logs (max. 0.7 kg/ piece)
The fuel is burning too fast:	Appliance not tight (sealing of the door, of the glass)	Replace the sealing
	The draft of the chimney too big (min. 20 Pa. in the neck of combustion products)	Have a draft limiter installed
The glass of the door gets soiled quickly:	Wet wood stock	Check up, max. 17 % of residual moisture
	Too large wood logs	Use smaller logs (max. 0,7 kg/ piece)
	The draft of the chimney is too low (min. 10 Pa. in the neck of combustion products)	Seal the chimney cleaning orifices that are not tight. Have the draft of the chimney measured by the chimneysweep in charge.
	Air slider for ignition open Position "ON"	When the fuel starts burning lively, set the slider for ignition to the position " <b>Heating operation regime</b> "
	The draft of the chimney too big (min. 20 Pa. in the neck of combustion products)	Have a draft limiter installed
The door glass has milky colour:	Overheating	New glass
Bothering smoke:	The fuel has not burned down completely	Stoke new fuel on live embers only (no flame)
	The draft of the chimney is too low (min. 10 Pa. in the neck of combustion products)	Seal the chimney cleaning orifices that are not tight. Have the draft of the chimney measured by the chimney sweep in charge.



## 8. Guarantee

HAAS + SOHN gives the buyer a guarantee in the frame of valid legal regulations. The two-year guarantee runs from the moment of the actual hand-over.



Note

As a document, the respective invoice is to be presented.

In case that a defect comes up in your appliance during the guarantee period, HAAS + SOHN eliminates (repairs) the defect in the shortest possible time, or replaces the faulty thing as per your choice. Cancellation of the contract/ reduction of price are ruled out, unless it contradicts legal regulations. There can be employed only the spare parts that have been approved by the manufacturer expressly, or are offered by him.

Replacement parts that are covered by the warranty and which the customer can replace himself are provided free of charge during the warranty period. Replacement parts are provided without service intervention. However, if the customer requires assembly of replacement parts by a service technician, this service is charged.

The changes of the object of the purchase, which are due to its habitual use are excluded from the guarantee.

Not executed or incorrect maintenance or cleaning, the draft of the chimney adjusted improperly with reference to the appliance, insufficient or too big, unprofessional handling, negligence or alterations of the appliance exclude guarantee claims, too.



## **WARNING**

---

In case of any alteration in the construction of the stove, as well as of its use contrary to the determined purpose, all the rights arising from the guarantee cease to exist.

---

## **9. Orders of spare parts / questions of the service / complaints**

In case of ordering spare parts, or with questions concerning the repairs and service, or when lodging a complaint, address always **directly your Haas+Sohn vendor**, from whom you have bought the appliance.

**In order to allow fast processing of your query, the data from the type plate of the appliance are necessary unconditionally:**

- **Exact designation of the type** (execution, model)
- **Serial number**

The type plate is situated on the rear side of the stove and on the title page of the Operation Manual.

### **9.1. Orders of spare parts**

Moreover, please pay attention to technical drawings and tables in the specification of the appliance, where you will find the correct denomination of the required spare part.



We reserve the right of changing the dimensions and construction, as well as of technical and optical changes, mistakes, printing errors and faults in sentences.  
You will find all documents, as e.g. the Operation Manual, specification of the appliance, testing reports etc., as well as the contact data, also on:

[www.haassohn.com](http://www.haassohn.com)