

HAAAS  
+  
SOHN

## HALLSTATT Speckstein 249.17

**Equipment sheet**  
Fireplace stove

**GB**

# Notes in the text



Of utmost importance there are the notes entitled **WARNING**. The notes entitled **WARNING** advise you on **serious danger of damage to the heating device or of an injury**.



The note entitled **Notice** advises you on possible damage to your heating device.



The note entitled **Important** calls your attention to the information important for the operation of your heating device.



The note itself calls your attention to the information important for the operation of your heating device in general.

# Contents

<b>1. Technical data</b> .....	1
1.1. Suitable fuel, stoking amount of fuel .....	1
<b>2. Dimensional drawing</b> .....	2
<b>3. Overview of spare parts</b> .....	3
3.1. Whole emplacement.....	3
3.2. Detail A1 .....	5
3.3. Detail A2 .....	6



# 1. Technical data

	Block wood	
Achievable heat output	8,6 kW	
Nominal heat output	8 kW	
Energy efficiency	80,7 %	
Average concentration of CO at 13% O <sub>2</sub>	1000 mg/Nm <sup>3</sup>	626 mg/MJ
Average concentration of dust at 13% O <sub>2</sub>	36 mg/Nm <sup>3</sup>	23 mg/MJ
Average concentration of NOx at 13% O <sub>2</sub>	99 mg/Nm <sup>3</sup>	63 mg/MJ
Average concentration of OGC at 13% O <sub>2</sub>	51 mg/Nm <sup>3</sup>	32 mg/MJ
Value of triple combustion products (three specific output parameters of chimneys)		
Amount of combustion products at nominal output	7,5 g/s	
Temperature of combustion products in the smoke flue neck	290 °C	
Minimum draft of the chimney at nominal heat output	12 Pa	

## Safety distances

Minimal distances from flammable materials:	side:	10 cm
	rear:	10 cm
	front (radiation area):	80 cm

## 1.1. Suitable fuel, stoking amount of fuel

Fuel:	Max. stoking amount of fuel
Block wood:	2 - 3 logs (max. 2,5 kg)
Length of wood logs:	Max. 33 cm
Saw-dust briquettes (DIN51731):	1 sawdust briquette (max. 2 kg)
Lignite briquette:	3 - 4 lignite briquettes (max. 2 - 2,5 kg)



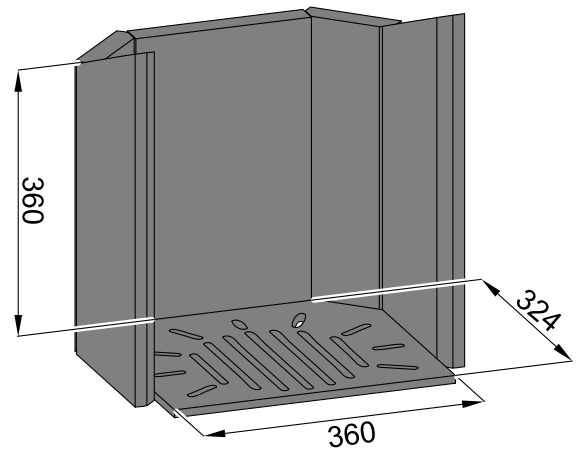
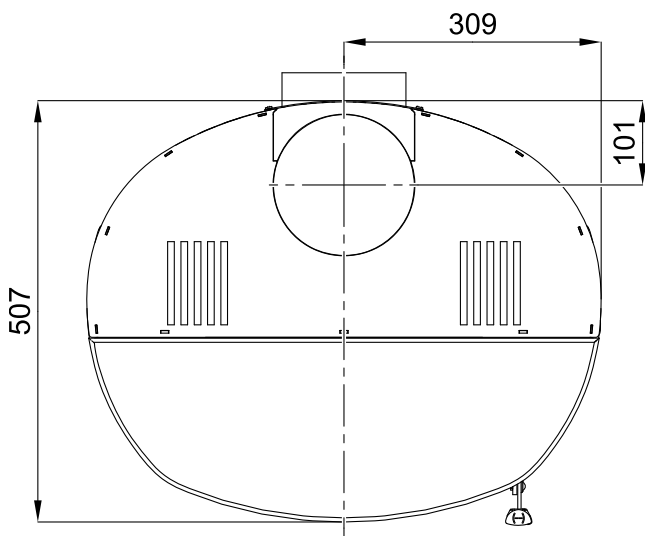
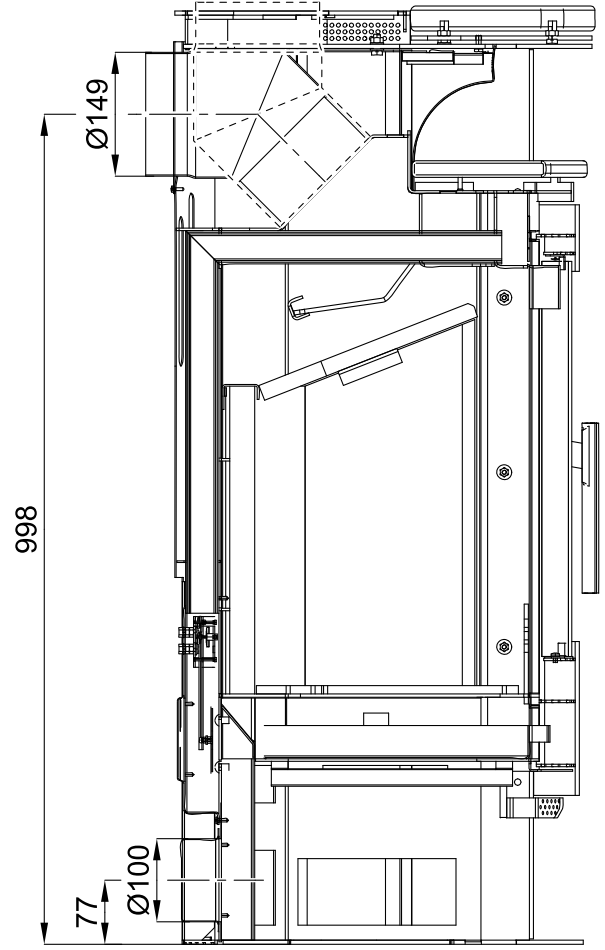
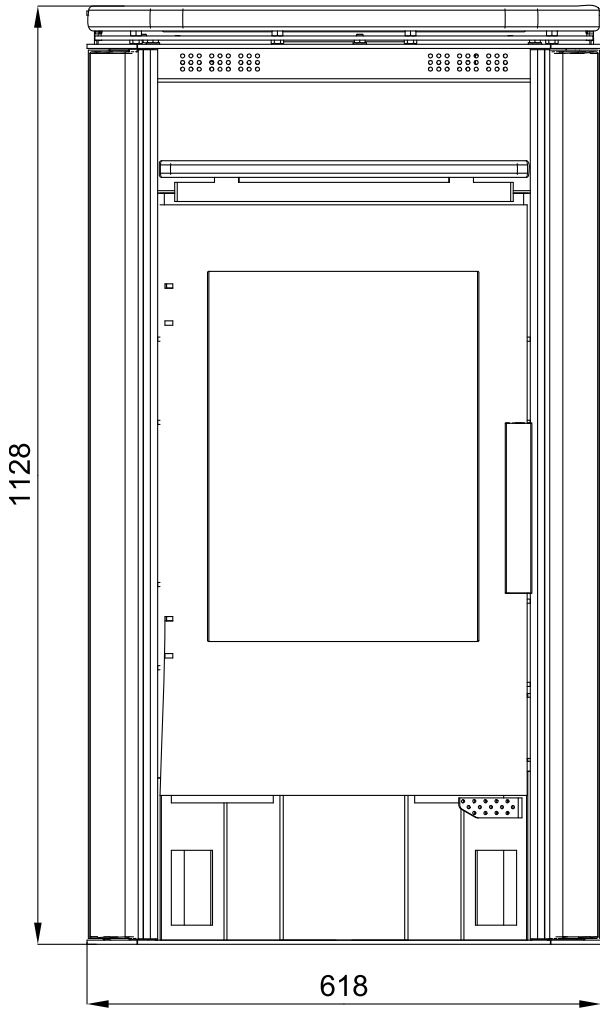
### Note

When heating with wood stock, employ solely the types of wood which have been stored for two years and their residual humidity is 17 % at the most.

# 2. Dimensional drawing

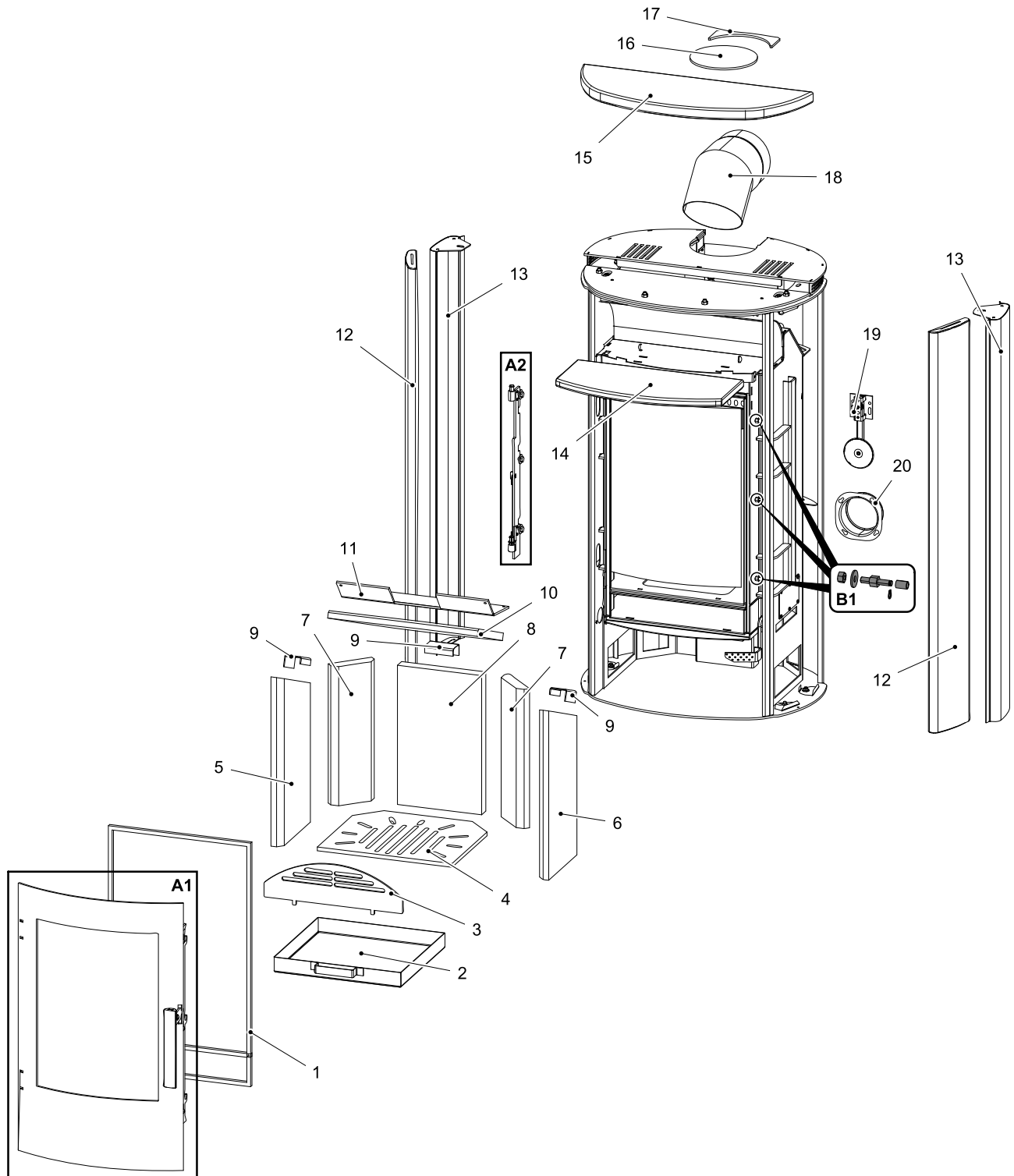
Dimensional drawing

GB



# 3. Overview of spare parts

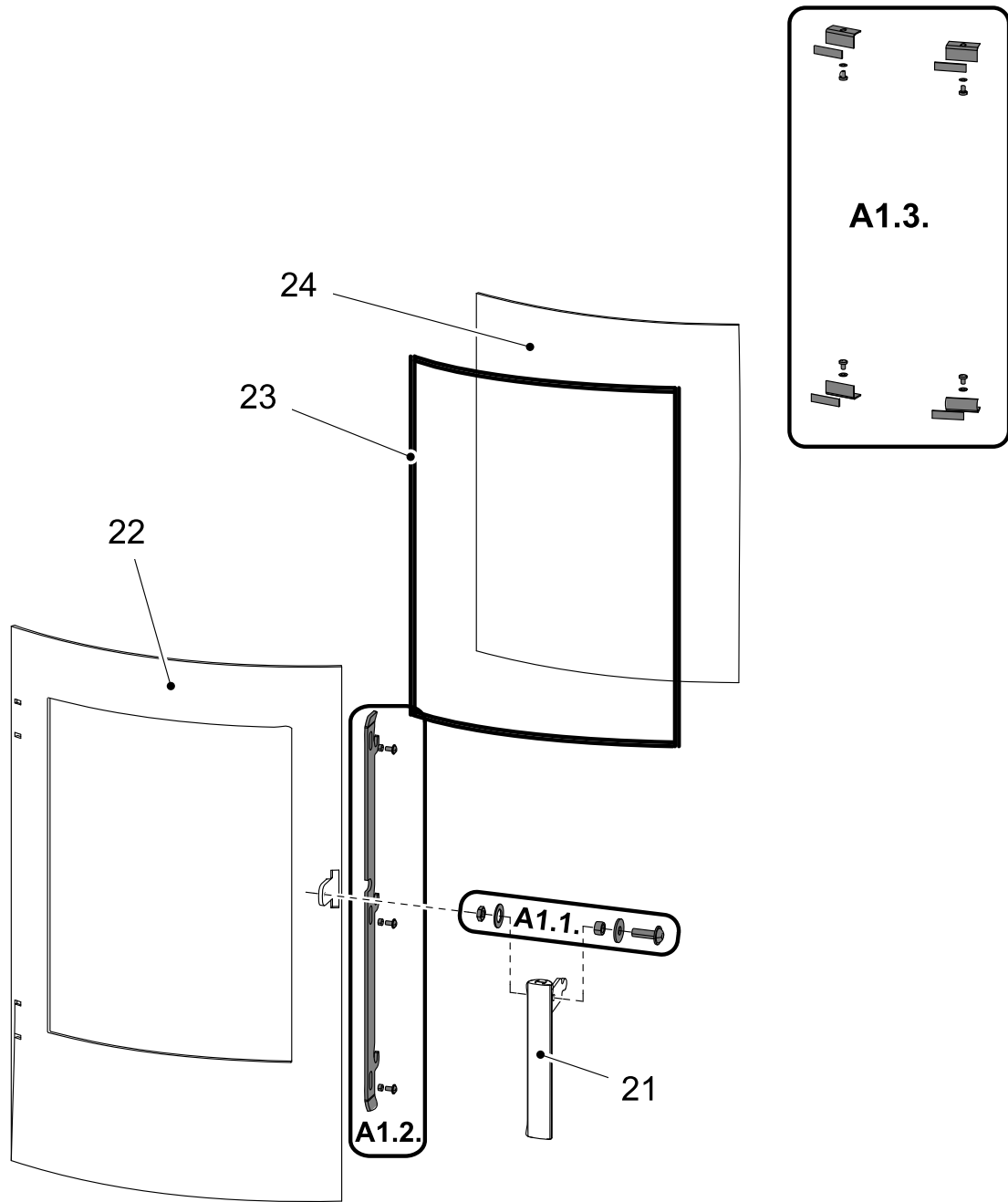
## 3.1. Whole emplacement



Item	Name	pcs	Spare part number
<b>Whole emplacement</b>			
<b>A1</b>	Fire-box door (complete)/anthracite	1 pcs	0424917325300
<b>A2</b>	Fire-box door suspension (complete)/anthracite	1 pcs	0424917325001
<b>B1</b>	Pin+wheel (complete)	3 pcs	0424917325002
<b>1</b>	Sealing of the door 14 mm (2450 mm)	1 pcs	0040014140005
<b>2</b>	Ashpan	1 pcs	0427717005600
<b>3</b>	Pile grating/anthracite	1 pcs	0424917006500
<b>4</b>	Seating of the grate/anthracite	1 pcs	0424917205020
<b>5</b>	Stone 30x204x450	1 pcs	0050102250005
<b>6</b>	Stone 30x204x450	1 pcs	0050102210005
<b>7</b>	Stone 30x120x370	2 pcs	0050101580005
<b>8</b>	Stone 30x240x370	1 pcs	0050102200005
<b>9</b>	Stone holder/anthracite	3 pcs	0424917007701
<b>10</b>	Lower return draft board (400x275)	1 pcs	0050500620005
<b>11</b>	Upper return draft board	1 pcs	0424917006502
<b>12</b>	Side parts/Speckstein	2 pcs	0063000117800
<b>13</b>	Side parts steel/anthracite	2 pcs	0424917005101
<b>14</b>	Oven panelling/Speckstein	1 pcs	0063000137200
<b>15</b>	Cover plate/Speckstein	1 pcs	0063000126800
<b>16</b>	Insert plate	1 pcs	0421817005001
<b>17</b>	Insert plate rear	1 pcs	0424917205060
<b>18</b>	Smoke pipe spigot	1 pcs	0425515025002
<b>19</b>	Secondary air damper - automatic	1 pcs	0089900470005
<b>20</b>	External air input (Ø100)	1 pcs	0088500050008

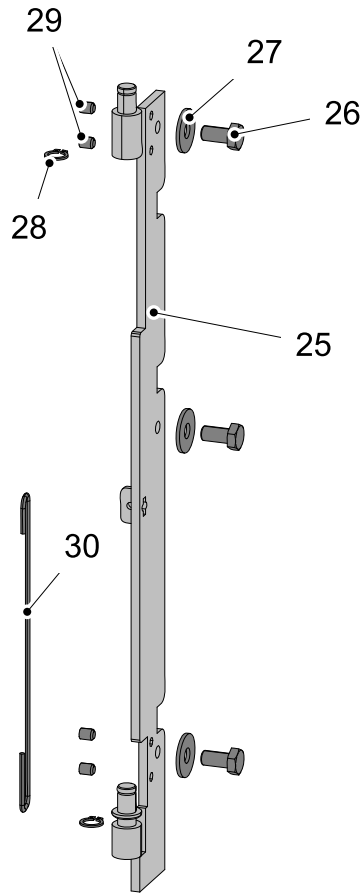


### 3.2. Detail A1



Item	Name	pcs	Spare part number
<b>Detail A1</b>			
<b>A1.1.</b>	Set of door screw coupling	1 pcs	0424917325003
<b>A1.2.</b>	Set of rail for door closing	1 pcs	0424917325004
<b>A1.3.</b>	Set of glass holders	1 pcs	0424717035013
<b>21</b>	Hand pull with hand pull attachment	1 pcs	0420915175302
<b>22</b>	Fire-box door (weldment)/anthracite	1 pcs	0424917325200
<b>23</b>	Glass sealing 10x4 mm (1600 mm)	1 pcs	0040210040005
<b>24</b>	Door glass (4x358x475 R500)	1 pcs	0424917005301

### 3.3. Detail A2



Item	Name	pcs	Spare part number
<b>Detail A2</b>			
<b>25</b>	Door suspension/anthracite	1 pcs	0424917325400
<b>26</b>	Screw M8x16 DIN 933	3 pcs	-
<b>27</b>	Annex 8,4 DIN 9021	3 pcs	-
<b>28</b>	Locking washer 6 DIN 471	2 pcs	-
<b>29</b>	Locking screw M6x8 DIN 913	4 pcs	-
<b>30</b>	Fire-box door spring	1 pcs	0420615005012

